

APPROVAL SHEET

CUSTOMER : NETGEAR

MODEL NO : NAP-2418(N)

PART NO : ACC-10337-01

DESCRIPTION : 18dBi Patch antenna with N (F) jack

DATE : 2003/03/28 (Version:1.0)

Customer Approved

| Issued | Checked | Approved |
|---------------|----------------|-----------------|
| Jason Lee | Jac Lee | Damy Wu |

Senao International Co., Ltd.

3 fl, No. 529, Chung Cheng Rd., Hsin Tien City, Taipei 231 Taiwan R.O.C.

Tel: 886-2-2218-3588 Fax: 886-2-2218-8843

Electric properties

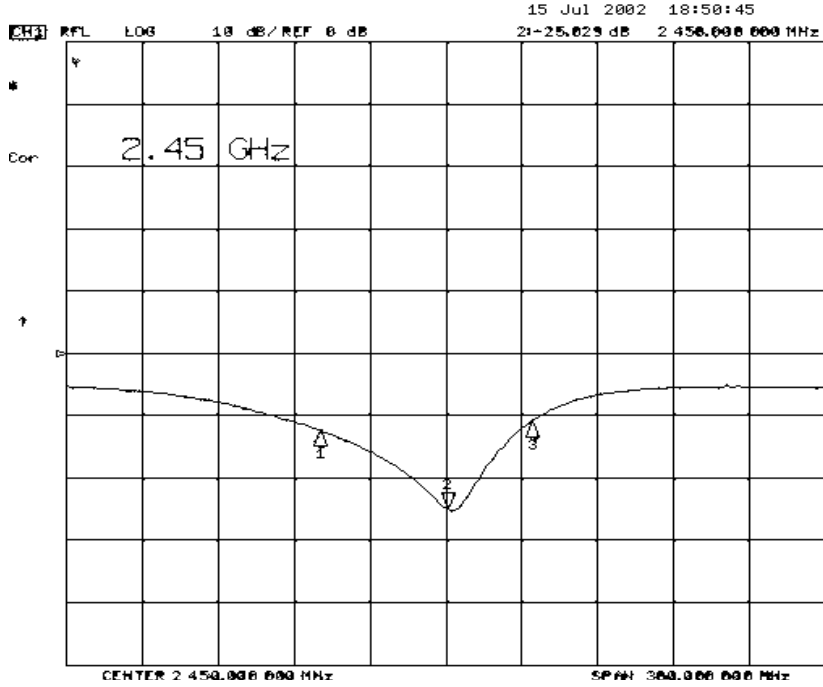
1. Frequency Range..... 2.45±5Mhz
2. Type..... Patch
3. Impedance..... 50 OHMS± 5Ω
4. SWR..... ≤1.5
5. Return Loss..... ≤-15dB
6. Gain..... 18dBi
7. Radiation..... Directional
8. Polarization..... Vertical
9. Beam Degree..... HORZ 60°...VERT 30°

Mechanical Properties

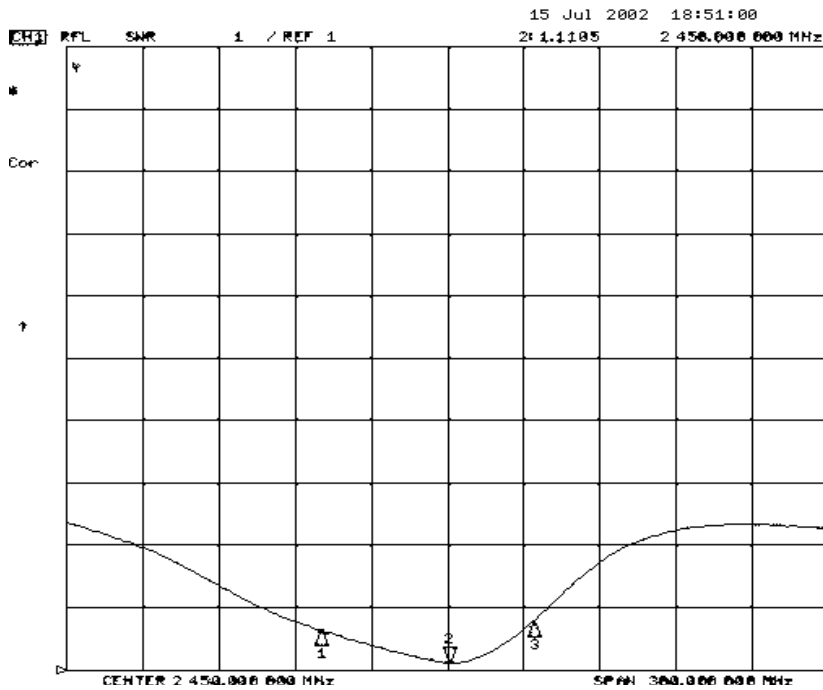
1. Connector Type..... N FEMALE
2. Material..... PC+ABS
3. Color..... WHITE
4. Mounting Base STEEL
5. Operation Temperature..... -30°C+80°C
6. Storage Temperatue..... -30°C+80°C
7. Weight..... 1520g±20g

Test Report

Return Loss

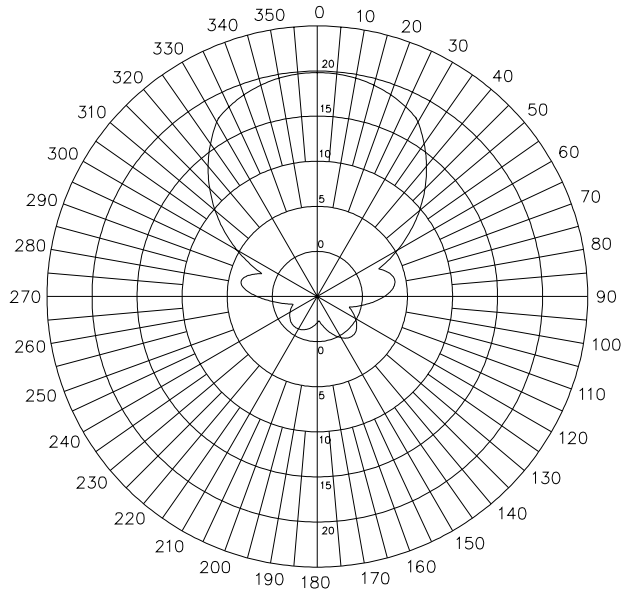


SWR

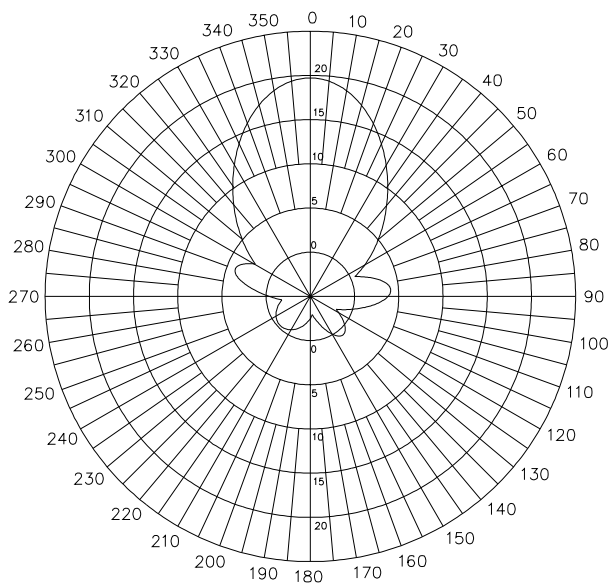


Test Report

H-PLANE FIELD PATTERN



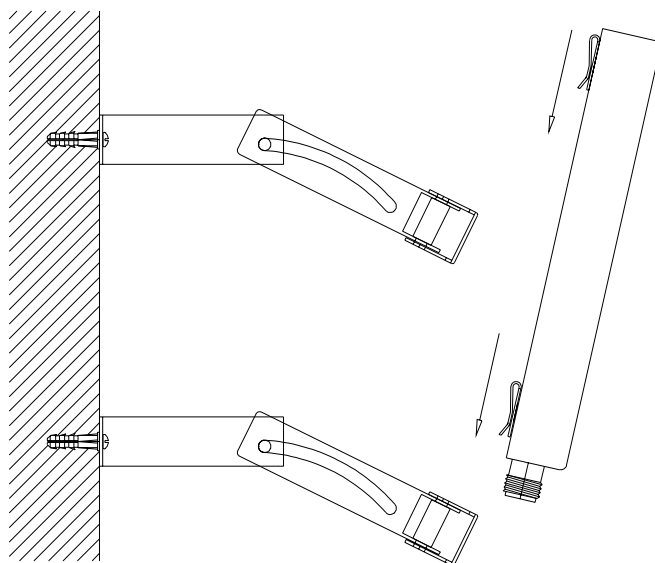
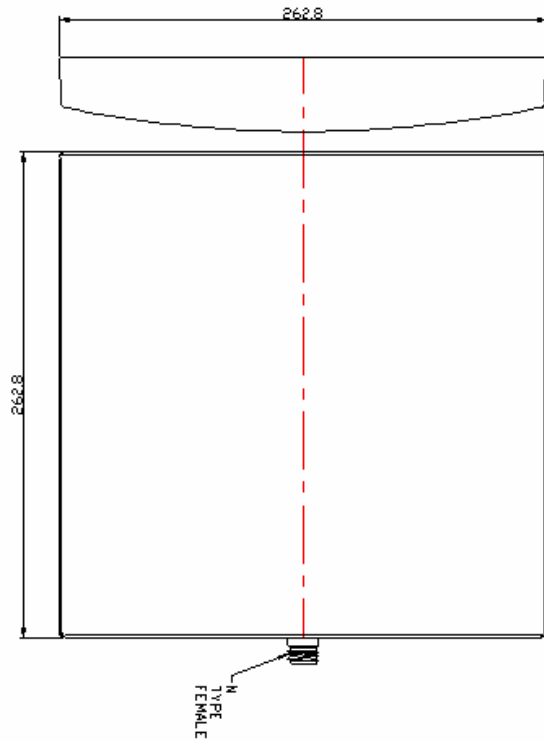
E-PLANE FIELD PATTERN



Dimension

Device Size: 262.8(L) * 262.8(W) * 40(H) mm

Color: Body(Pantone 428C), Lettering(Pantone 2756C)

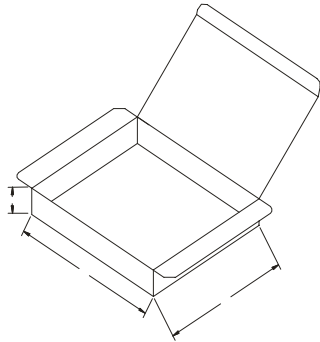


Packages

Brown Box Size: 395(L) * 265(W) * 55(H) mm

Quantity : 1PCS/SET

Weight : 1.15Kg



Carton Size: 420(L) * 555(W) * 300(H) mm

Quantity : 10PCS/Carton

Weight : 12.5Kg

