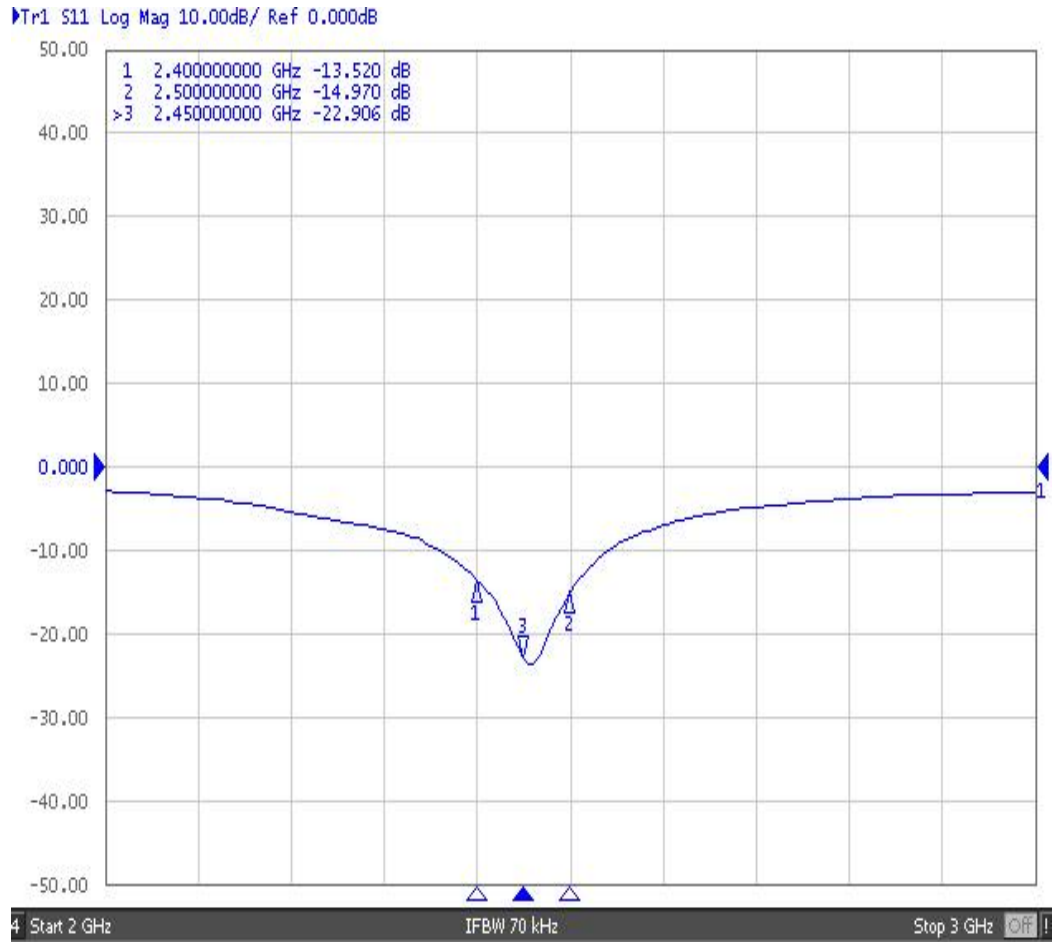


1. Frequency Range.....	2.4~2.4835GHz
2. Impedance.....	50 Ohms (nominal)
3. SWR.....	$\leq 2.0$
4. Return Loss.....	$\leq -10$ dB
5. Gain.....	5.0dBi
6. Polarization.....	Vertical
7. Connector.....	SMA Plug (Reverse Polarity)
8. Cable.....	RG-316

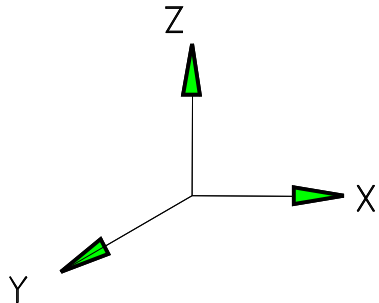
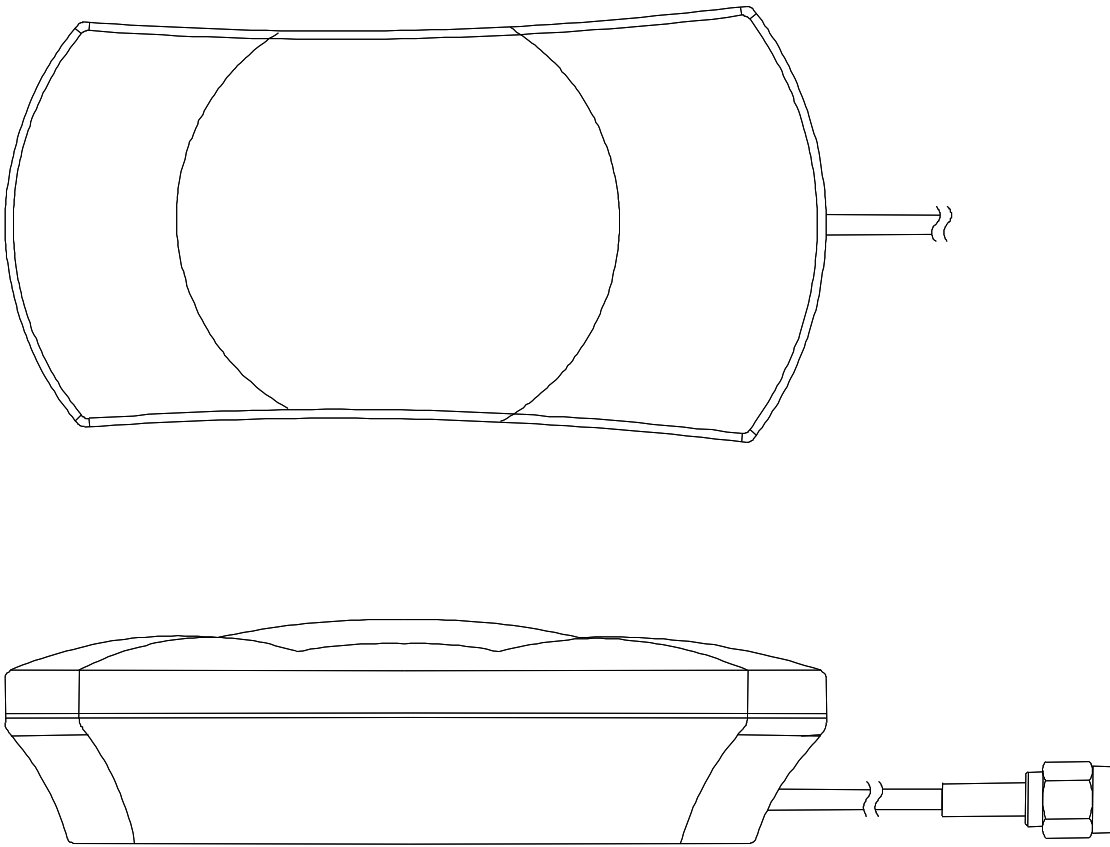
**Return  
Loss**



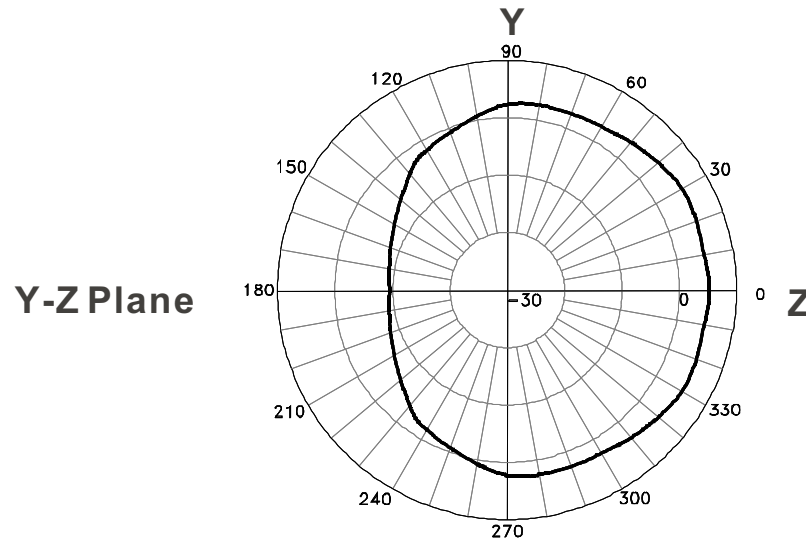
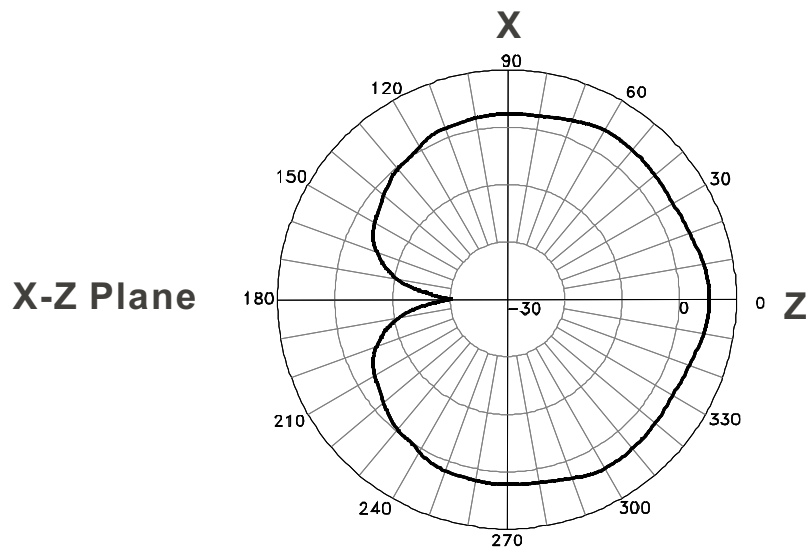
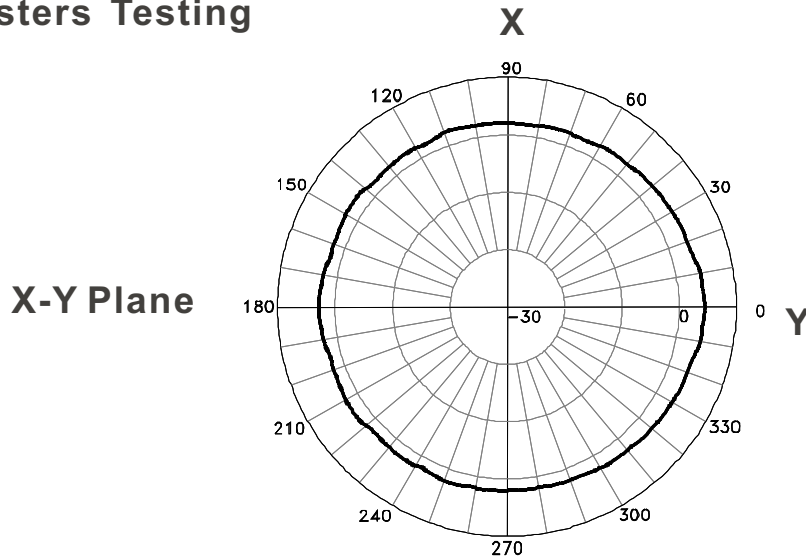
Model No. : **NAP-2405(N)**

**Test Report**

---



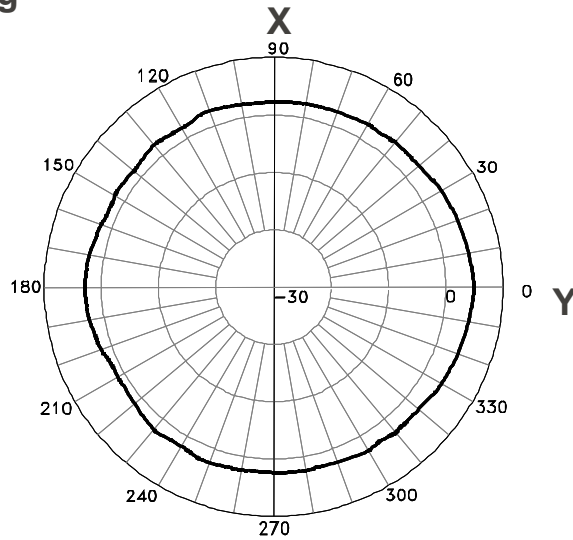
**1 Mesters Testing**



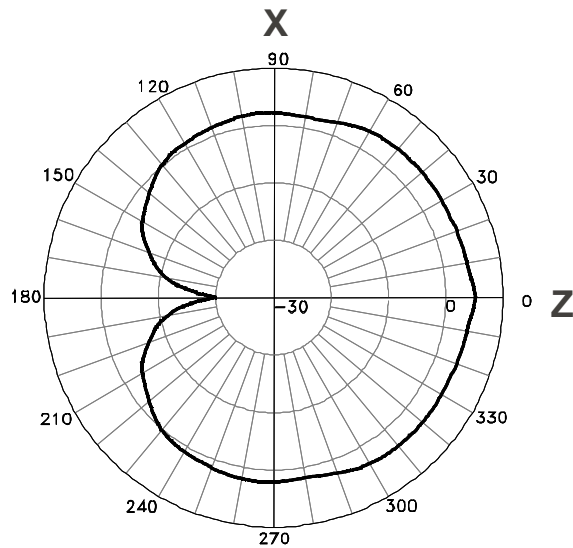
Frequency: 2.45GHz

**3 Mesters Testing**

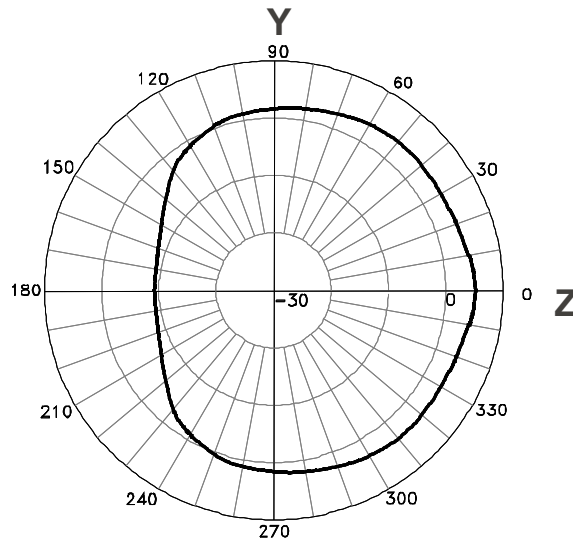
**X-Y Plane**



**X-Z Plane**

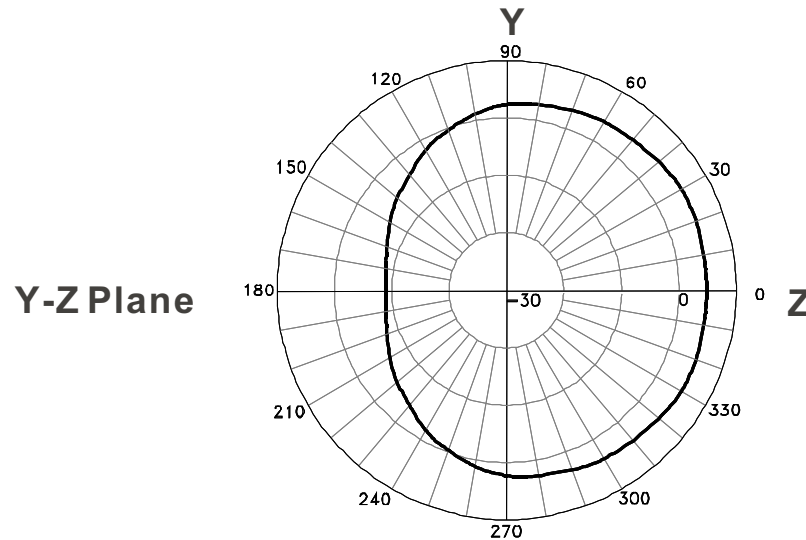
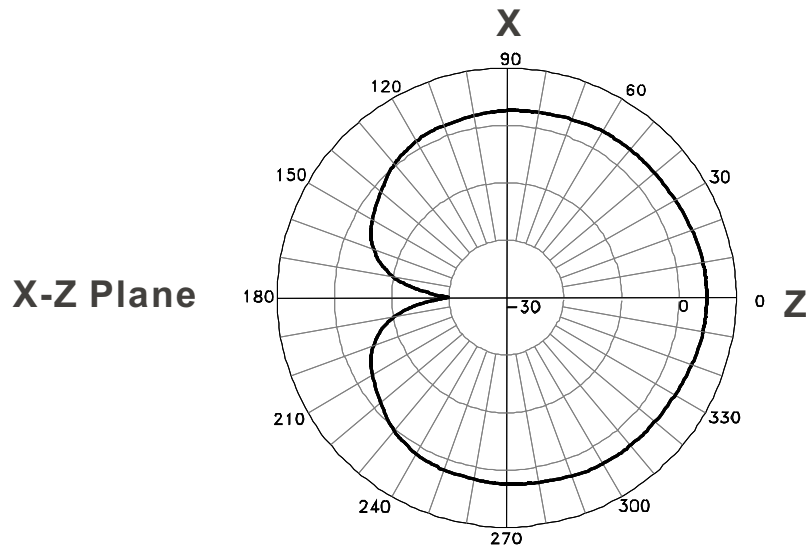
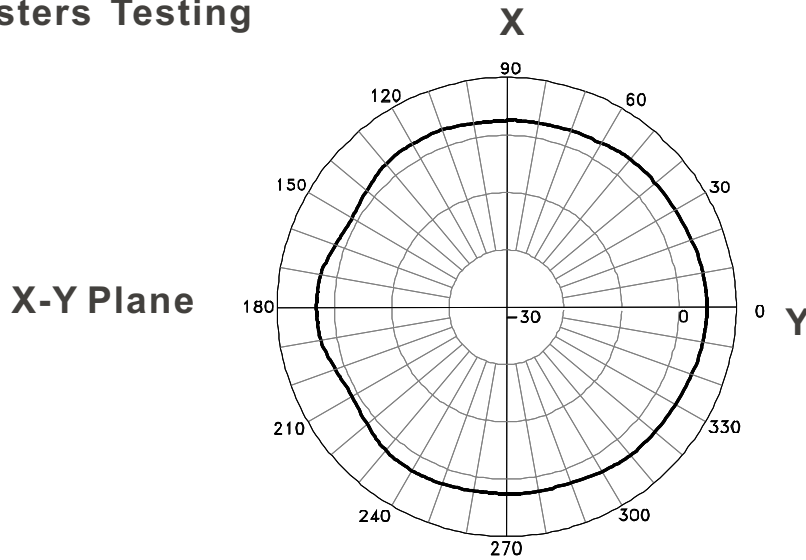


**Y-Z Plane**



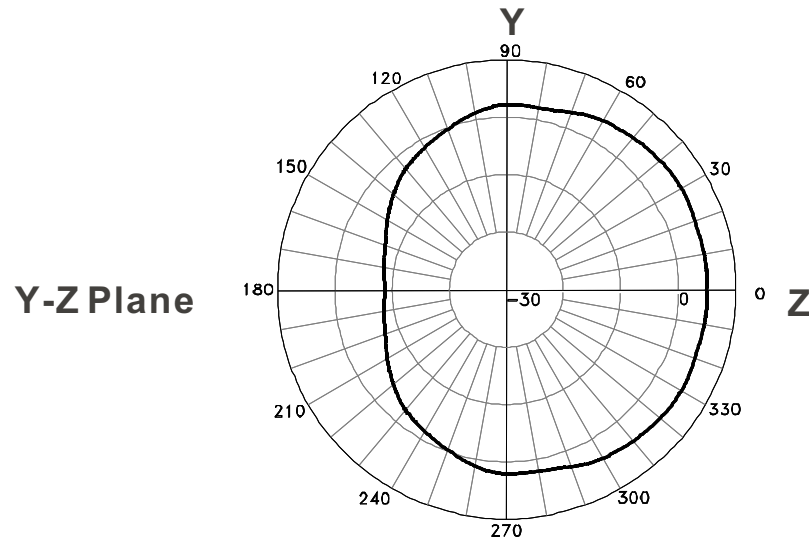
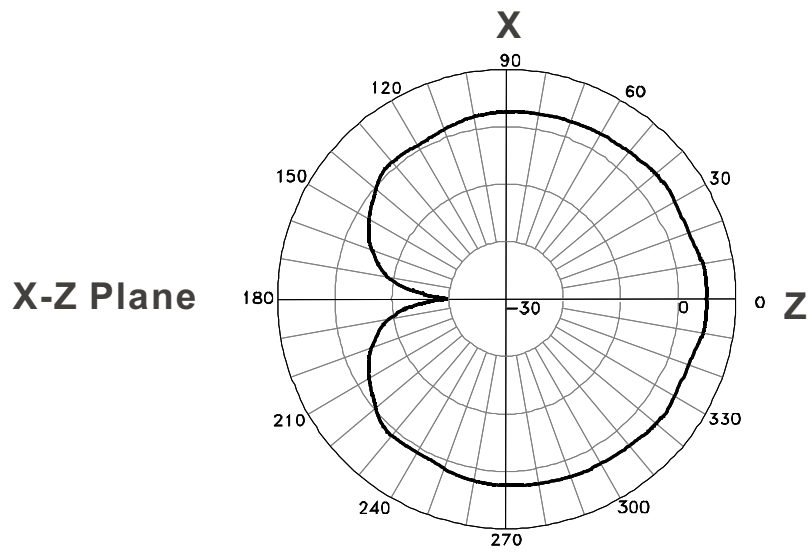
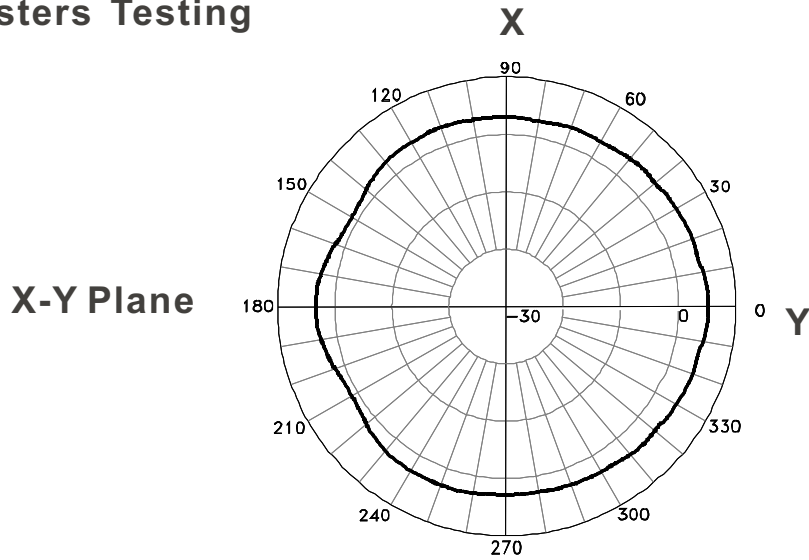
Frequency: 2.45GHz

**5 Mesters Testing**



Frequency: 2.45GHz

**7 Mesters Testing**



Frequency: 2.45GHz