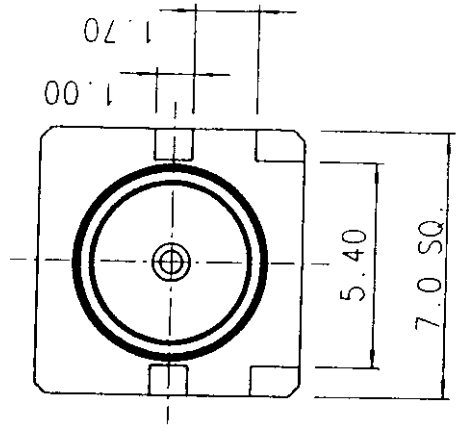
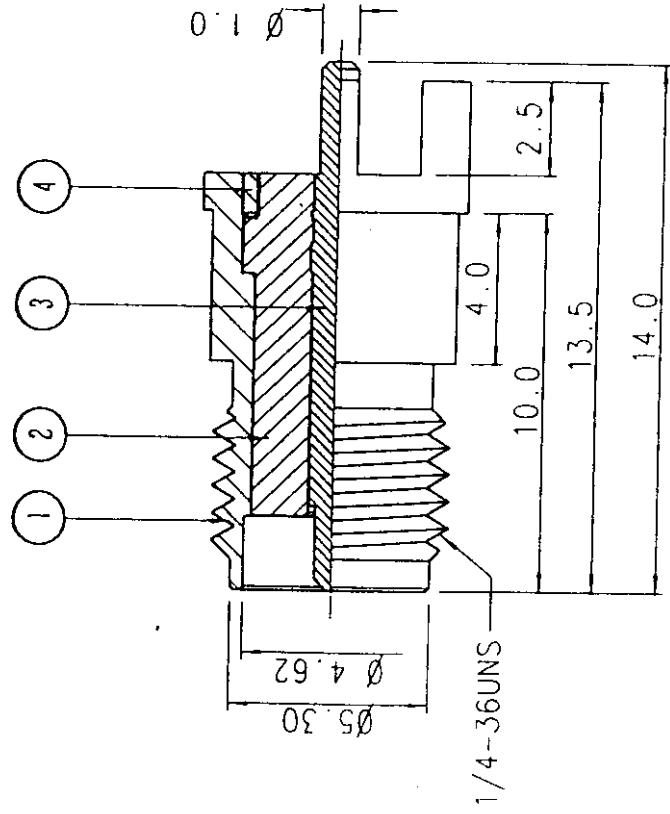


Appendix 1 : Engineering Graph of Antenna Construction

TOLERANCE GRAD.		
LEN.	A	B
6	0.05	0.08
18	0.01	0.02
50	0.01	0.02

APP.	DES.	DATE
ECO NO.	REVISION	



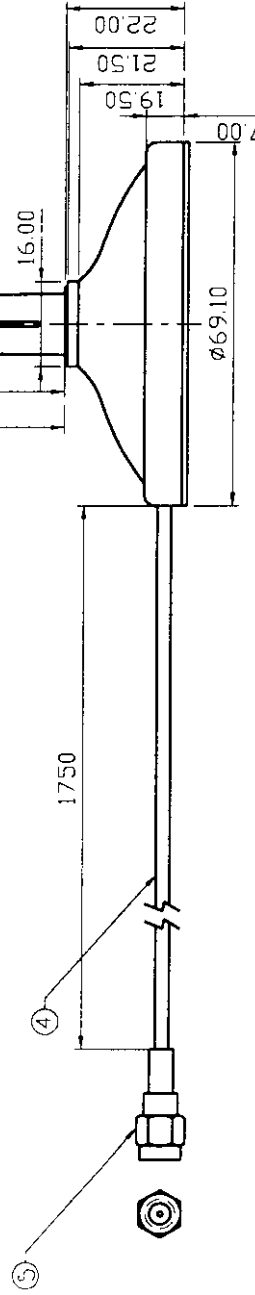
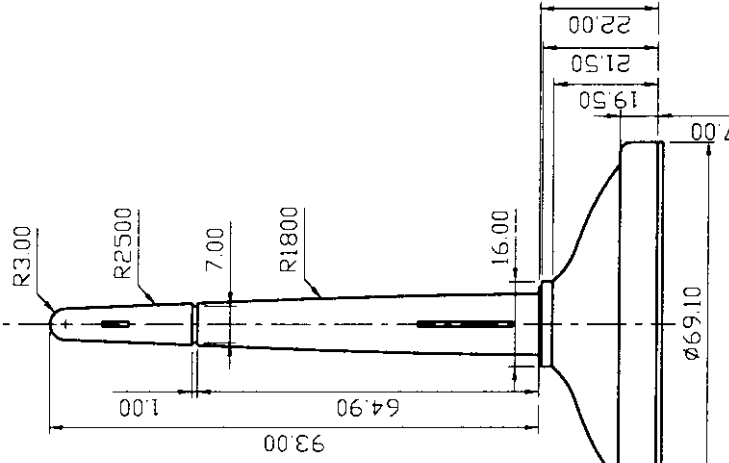
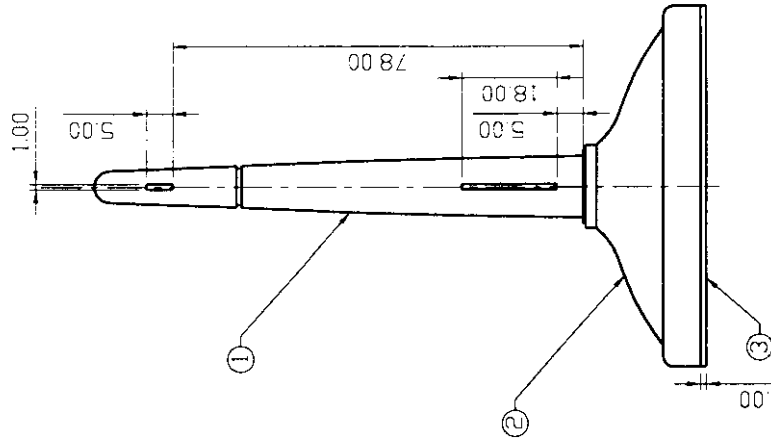
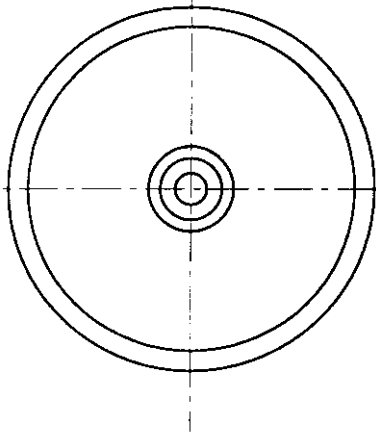
NO.	QTY.	DESCRIPTION
4	1	RING
3	1	CONTACT
2	1	INSULATOR
1	1	BODY

DRW.	DES.	CKD.	RECKD.	APP.

SCALE	UNITS	TOLERANCE	
		GRADE (B)	ANGLE ± 1°
1/1	M.M.		

Z-Com, Inc		SHEET 1/1
MODEL	PC104	
NAME	SMA Connector	
PART NO.		

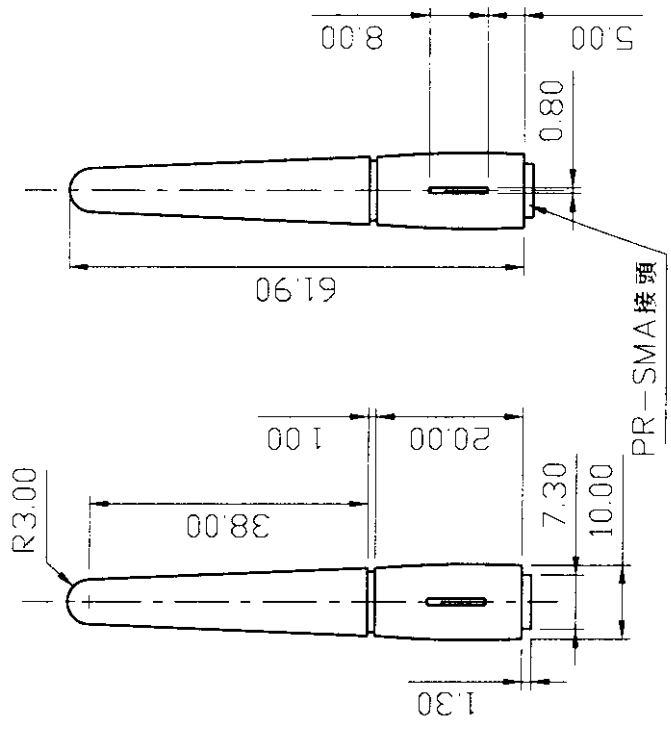
圖紙編號A-4



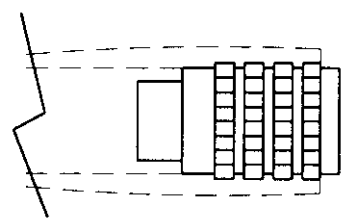
- 備註
 (1)材質: RUBBER
 (2)材質: ABS 94V-0
 平均肉厚: 1.8mm
 (3)材質: PVC
 (4)RG-174/U COAXIAL CABLE
 (5)SMA母接頭/母座

TOLERANCE GRADE(±)		SCALE		UNITS		TOLERANCE		Z-Com, Inc.	
LENGTH	GRADE	A	B	C	M.M.	DES.	GRADE	ANGLE	MODEL
6	~ 18	0.05	0.08	0.2	1/1	DRW.	()	±	PC104
18	~ 50	0.1	0.15	0.4			CKD.	RECKD.	NAME
50	~ 180	0.2	0.3	0.8					ANT-2416
180	~ 500	0.3	0.5	1.2					PART NO.
500	~	0.6	1.0	2.5					25-032416-02
									SHEET
ECO NO.	REVISION	APP.	DES.	DATE					

DESIGN NO.	REVISION	APP.	D.C.S.	DATE	TOLERANCE	GRADE
					AS SHOWN	A B C
					6	0.05 0.05 0.05
					18	0.08 0.1 0.1
					50	0.1 0.1 0.1
					50	0.2 0.3 0.3



PR-SMA 接頭
細部圖面



圖紙編號 A-4

Z-Com, Inc	
MODEL	PC104
NAME	ANT-2414
PART NO.	
SHEET 1/1	

SCALE	UNITS	TOLERANCE		DRW.	DES.	CKD.	RECKD.	APP.
1/1	M.M.	GRADE	ANGLE					
		()	±					

EXHIBIT F: USER'S MANUAL