

## Processing Gain of Direct Sequence Spread Spectrum



**Product name:** XI750 Wireless LAN USB Adapter

**Tested by:** Zcom, Inc.

**Prepared by:** Gilbert Tsai, Associate RF engineer

TEL: (886)35789700 ext.113

FAX: (886)3636033

Email: cctsai@zcom.com.tw

**Date:** April 13, 2001

**FCC requirements:** The processing gain of a direct sequence system shall be at least 10dB. The processing gain shall be determined from the ratio in dB of the signal-to-noise ratio with the system spreading code turned off to the signal-to-noise ratio with the system spreading code turned on, as measured at the demodulated output of the receiver.

This document contains theoretical calculation and test setup, procedure, measurement data and report.

### Test equipment:

R&S FSEM20 spectrum analyzer

R&S SMIQ03B signal generator

Giga-tronics 8541C universal power meter

Hp8496B attenuator/110dB with 10dB step

Hp8494B attenuator/11dB with 1dB step

Hp11636BB power splitter

Notebook/PC X2

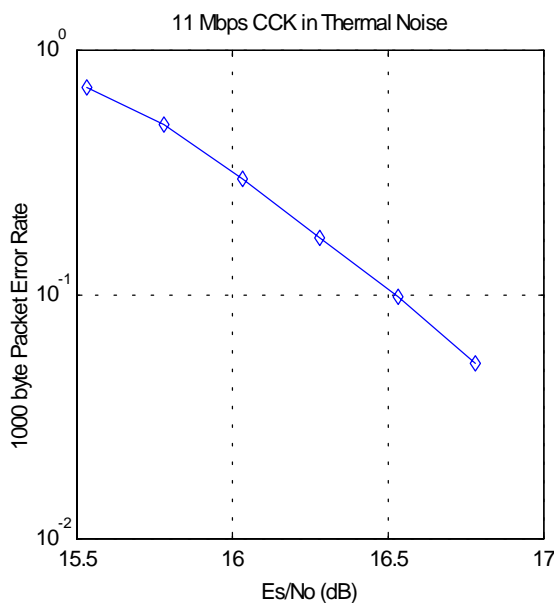
**Theoretical calculation:** The Processing gain is related to be jamming margin as follows:

$$G_p = \left( \frac{S}{N} \right)_{output} + \left( \frac{J}{S} \right) + L_{sys}$$

Where  $BER_{reference}$  is the reference bit error ratio with its corresponding, theoretical output signal to noise ratio per symbol,  $(S/N)_{output}$ ,  $(J/S)$  is the jamming margin(jamming signal power relative to desired signal power), and  $L_{sys}$  is the system losses.

For 5.5Mbps and 11Mbps case: The HFA3861B direct sequence spread spectrum baseband processor use CCK modulation which is a form of M-ary Orthogonal Keying. The Probability of error for generalized M-ary orthogonal signaling using coherent demodulation is given by:

$$P_e = 1 - P_{c1} = 1 - \frac{1}{\sqrt{2\pi}} \int_{-\frac{s_{01}}{N_0}}^{\infty} \left[ 2(1 - Q\left\{z + \sqrt{2\frac{E_b}{\eta}}\right\}) \right]^{\frac{M}{2}-1} \exp\left\{-\frac{z^2}{2}\right\} dz$$



The FER performance curve is derived by [1] as left graph:

Therefore:

$$G_p = (E_s/N_0)_o + (J/S) + L_{sys} = 16.4 + 2.0 + (J/S)$$

and,  $G_p = 18.4 + (J/S)$  must be greater than 10dB

For the case of the HFA3861B, the bit rates are 1, 2, 5.5 and 11Mbps. The corresponding symbol rates are 1, 1, 1.375 and 1.375 Msps. The chip rate is always 11Mcps, so the ratio of chip rate to symbol rate is 11:1 for the 1, 2Mbps and 8:1 for 5.5, 11Mbps rates. Since the symbol rate to bit rate is less than 10 for the higher rates, we supply the theoretical processing gain and coding are utilized. This is a reasonable in that they cannot be separated in the demodulation process. If a separable FEC coding scheme were used, we would not be comfortable making this assertion.

As can be seen from the curve of figure 1, the Es/No is 16.4dB at the PER of 8%. It is well know that the Eb/No of BPSK is 9.6dB for 1e-5 BER, so therefore the coding gain of CCK over BPSK is 2.2dB. We add this to the processing gain of 9B to get 11.2dB overall processing gain for the CW jamming test.

Taking the calculation above, if the  $(J/S) > -8.4\text{dB}$  then the equipment passes the CW jamming test.

For 1 and 2Mbps case, the modulation is either DBPSK or DQPSK for 1 and 2Mbps. With differential coding, there is an error extension factor of 2 which comes from the fact that if one symbol is error, then the next will be demodulated in error too. Since its phase is dependant on the change of phase from symbol to symbol. In DBPSK, this result is a simple factor of two in BER. With DQPSK, the picture is a little muddled in that a symbol error may cause one or two bit errors since two bits are carried per symbol. From the book of Fig.7.2, Viterbi, A.J. Principles of Coherent Communications, Page 192 (New York; McGraw-Hill, 1996), the  $E_b/N_o$  of BPSK is 9.6dB. When operating DQPSK at 2Mbps, the  $E_b/N_o$  remains essentially the same, but the  $E_s/N_o$  goes up by 3dB. So the  $(S/N)_o$  is 12.6.

#### **Test procedure:**

Obtain the simplex link shown. Perform all independent instrumentation calibration prior to this procedure. Set operating levels using fixed and variable attenuator in system to meet the following objectives:

1. Signal Power at receiver is approximately  $-60\text{dBm}$ .
2. Signal Power at power meter between  $-20$  and  $-30\text{dBm}$ .
3. Use spectrum analyzer to monitor test.
4. Ensure that CW jammer generator RF output is disabled and measure the power at the power meter port using Giga-tronics 8541C power meter. This is relative power,  $S_r$ .
5. Disable TX and set CW jammer output frequency equal to the carrier frequency and enable generator output. Set reference CW jammer power level at power meter port 8.4dB below  $S_r$ .
6. Disable CW jammer and re-establish Link. FER test should be essentially error free.
7. Enable the CW jammer at the reference power level and verify that FER at the reference power level and verify that FER test indicate less than 8%.
8. Alternatively, adjust the CW jammer level to that which causes 8% FER.
9. Repeat Step 7 for uniform steps in frequency increments of 50KHz across the receiver passband with the CW jammer. In this case, the receiver passband is  $\pm 8.5\text{MHz}$

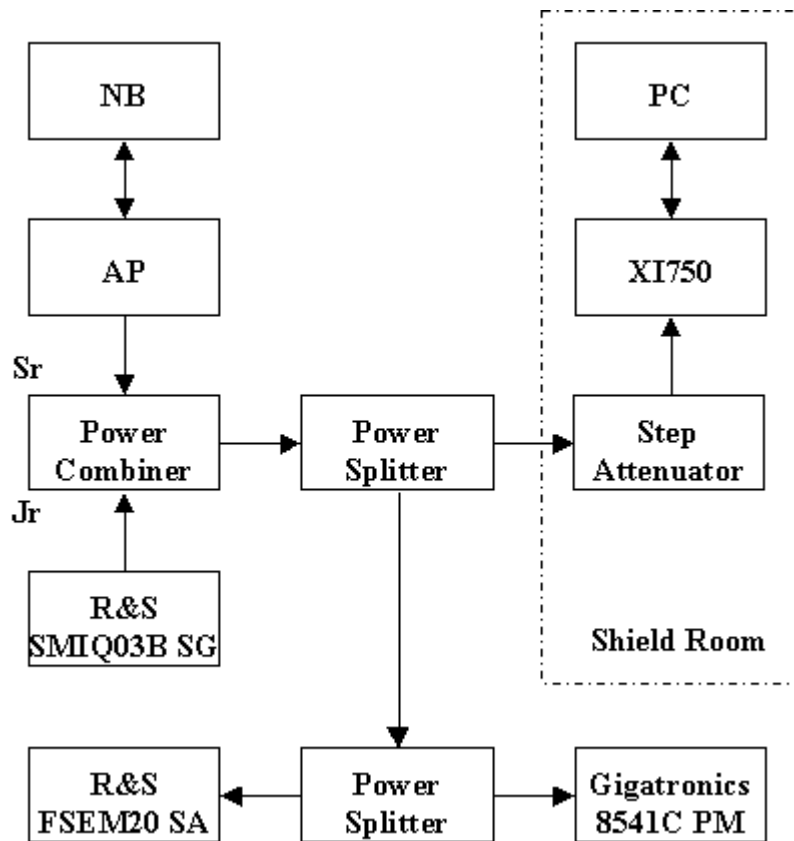
**Test setup:** as shown at next page

**Processing gain test result summary:**

Frequency channel	Frequency	Data rate (Mbps)	Gp (dB)
1	2412MHz	11	10.6
6	2437MHz	11	10.6
11	2462MHz	11	10.6
1	2412MHz	2	13.8
6	2437MHz	2	13.8
11	2462MHz	2	13.8

**Reference**

[1]. Intersil processing gain test document (Attached file).



**Processing gain test setup**