

APPROVAL SHEET

CUSTOMER : 中磊電子股份有限公司
SerComm Corp.

MODEL NO. : **IW-144RS-105**

DESCRIPTION : **2.4GHz Swivel Antenna**

Customer Approval

--	--	--



士誼科技事業有限公司
JOYMAX ELECTRONICS CORP.

桃園縣平鎮市新榮路63巷17號
17, Hsin-Jung Rd., Ping-Chen, Tao-Yuan, Taiwan, R.O.C.
Tel: +886-3-4931401 Fax: +866-3-4931126
E-Mail : ericlai@joymax.com.tw

1. Description:

The Antenna is a swivel and $1/4 \lambda$ dipole antenna. It's useful for the ISM Band of 2.4~2.5 GHz.

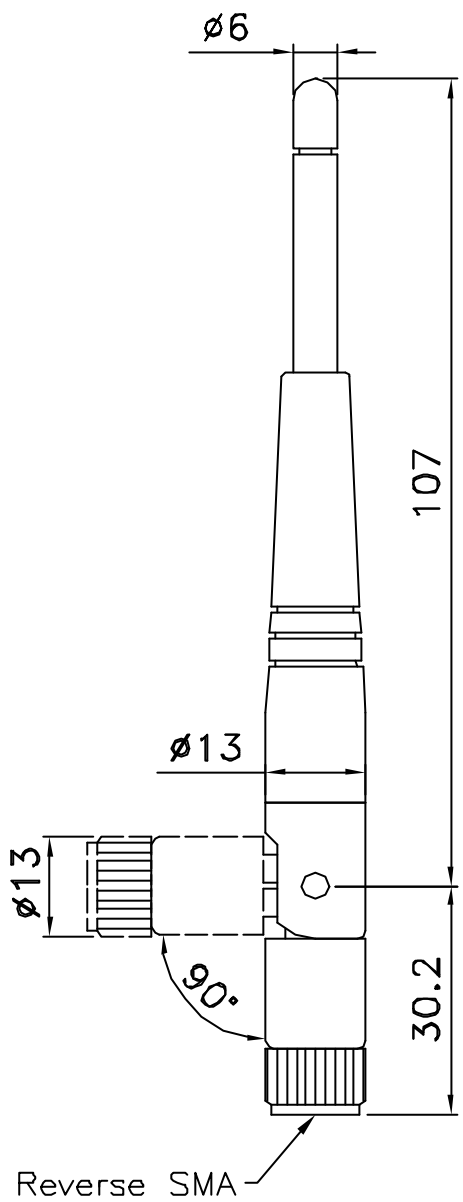
2. Electrical Properties

2-1 Frequency Range.....	2.4~2.4835GHz
2-2 Impedance.....	50 Ohms nominal
2-3 SWR.....	≤ 2.0
2-4 Return Loss.....	≤ -9.6 dB
2-5 Gain.....	2.0 dBi
2-6 Polarization.....	Vertical
2-7 Admitted Power.....	1 W
2-8 Electrical Wavelength..	$1/4 \lambda$ Dipole

3. Mechanical Properties :

3-1 Connector.....	Reverse SMA
3-2 Antenna Cover.....	Polyurethane
Antenna Base.....	Polycarbonate
3-3 Rotating Test.....	1.2 Kg-cm, After 2000 cycles with the rate of 30 cycles/minute(max.). It shall be possible to remain it's position.
3-4 Attachment Strength.....	5.0 Kg-cm





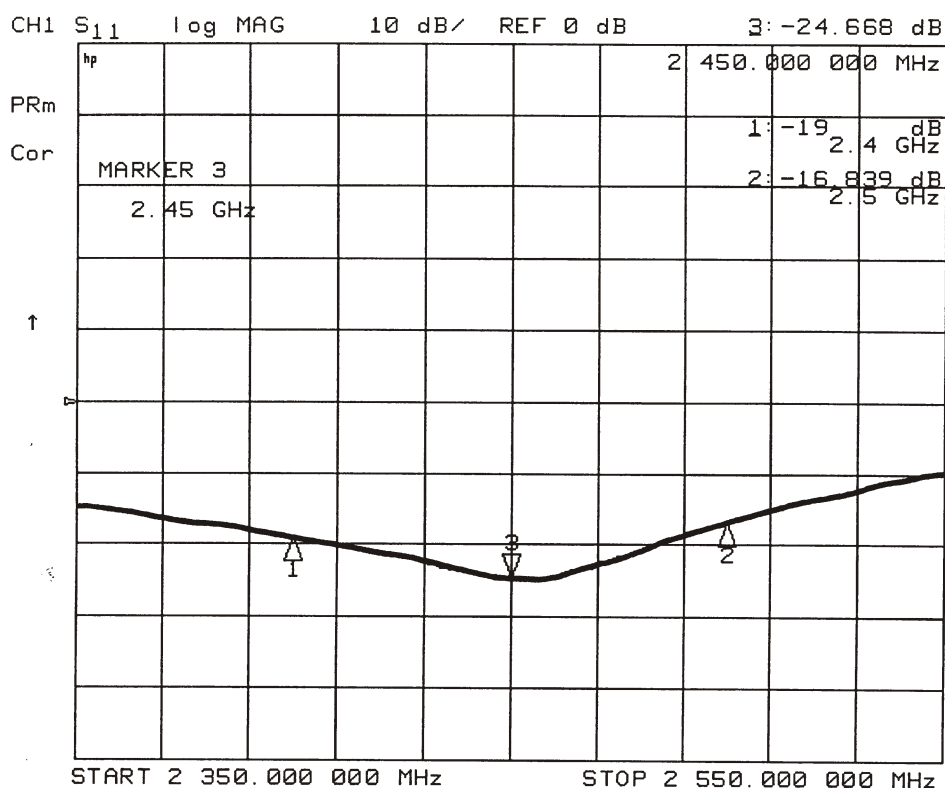
TOLERANCES: ± 0.5

REV DESCRIPTION	MATERIAL	MODEL: IW-144RS-105		
	FINISH	NAME: Swivel Antenna		
	UNIT: mm	PART No: IW-144RS-105		
	SCALE: 1/ 1	DESIGN	APPROVE	REV
	DATE: 09/10/2002	J.F.Lin	Sen9/10	00

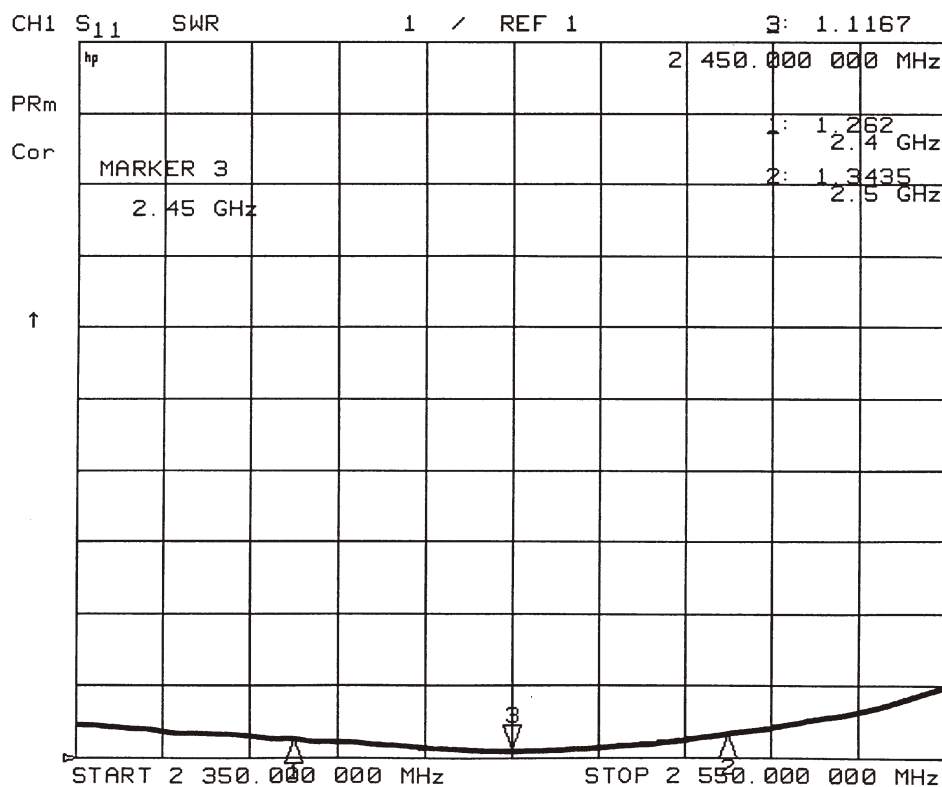
QP0502-01-02



Return Loss



SWR



1. Description:

The Connector is a reverse SMA join on the Antenna.

2. Electrical Properties

2-1 Impedance.....	50 Ohms
2-2 Frequency Range.....	0~8 GHz
2-3 SWR.....	1.1 (Max.)
2-4 Working Voltage.....	≤250 Vrms
2-5 Dielectric Withstanding Voltage.....	≤750 Vrms
2-6 Insulation Resistance.....	≥2000 Megohms
2-7 Contact Resistance.....	Center contact: 3.0 Milliohms (Max.) Outer contact: 2.5 Milliohms (Max.)
2-8 Insertion Loss.....	0.2 dB

3. Mechanical Properties :

- 3-1 Recommended coupling nut torque.. 4.0 in.lbs.~8.8 in.lbs.
- 3-2 Coupling nut retention force..... ≥50 lbs.
- 3-3 Contact captivation axial..... ≥5 lbs.

4. Environmental Ratings

- 4-1 Operating Temperature..... -65°C ~ +165°C
- 4-2 Thermal Shock..... MIL-STD-202, Method 107, Condition B
- 4-3 Corrosion..... MIL-STD-202, Method 101, Condition B
- 4-4 Shock..... MIL-STD-202, Method 213, Condition I
- 4-5 Vibration..... MIL-STD-202, Method 204, Condition D
- 4-6 Moisture Resistance..... MIL-STD-202, Method 106

5. Material Specifications

- 5-1 Body..... Brass Per JIS H3250 C3604 BD, Black chrome Plated
- 5-2 Contact..... Beryllium Copper Per QQ-C-530, Gold Plated Per MIL-G-45204
- 5-3 Insulator..... PTFE Fluorocarbon Per ASTM D 1710

