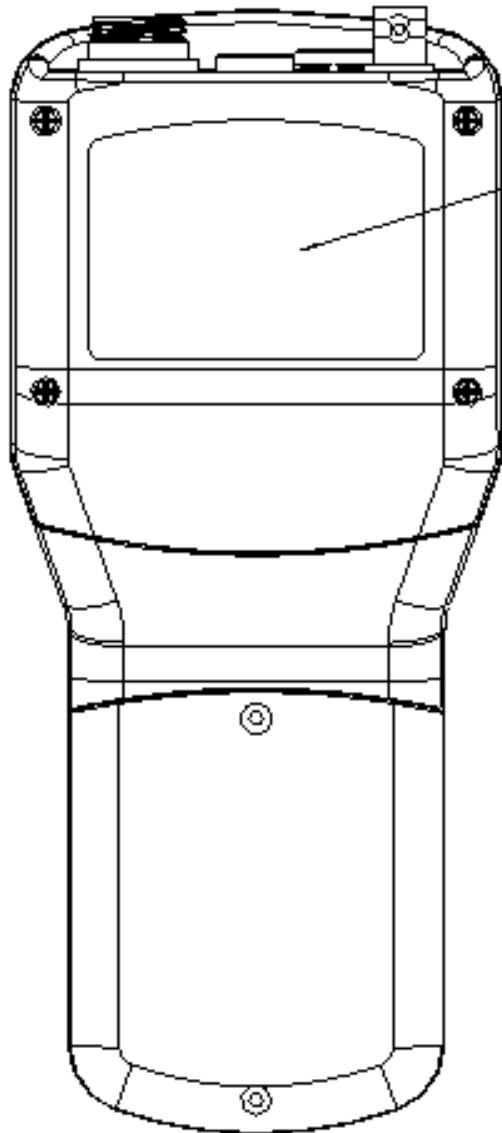


ICD-HP Rear Label Location and Text



LABEL PLACED
IN THIS AREA

Hunter[®]

Hunter Industries Incorporated
Model: **ICD-HP**

FCC ID: M3UICDHP
IC: 2772A-ICDHP

**This device complies with part 15 of the FCC Rules.
Operation is subject to the following two conditions:**

- (1) This device may not cause harmful interference and
- (2) This device must accept any interference received, including interference that may cause undesired operation.



Made in China



N10675

Patent Number 7,398,139