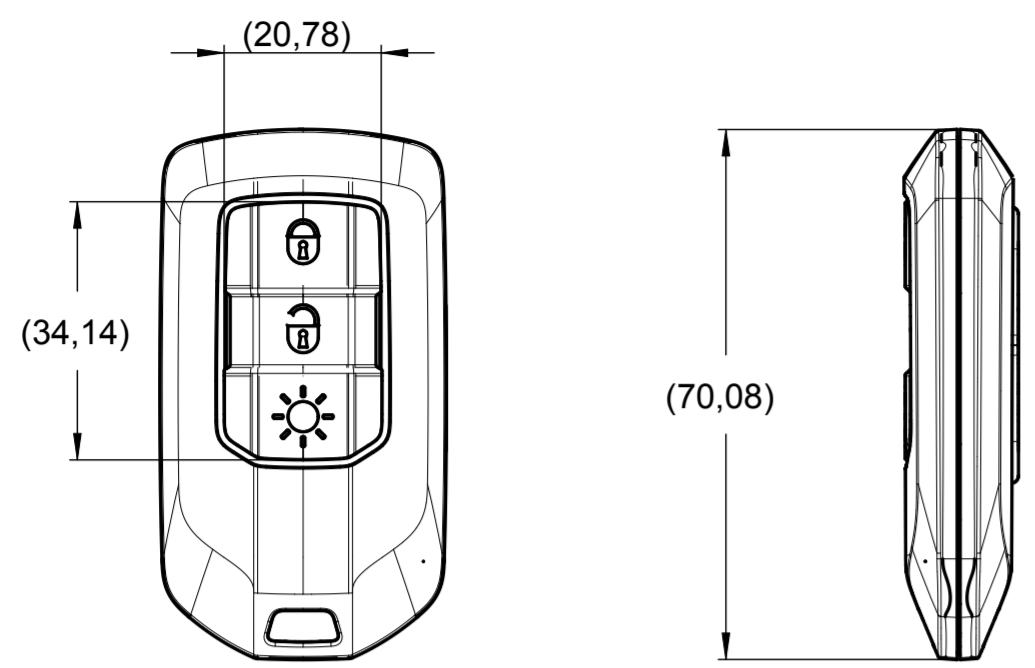
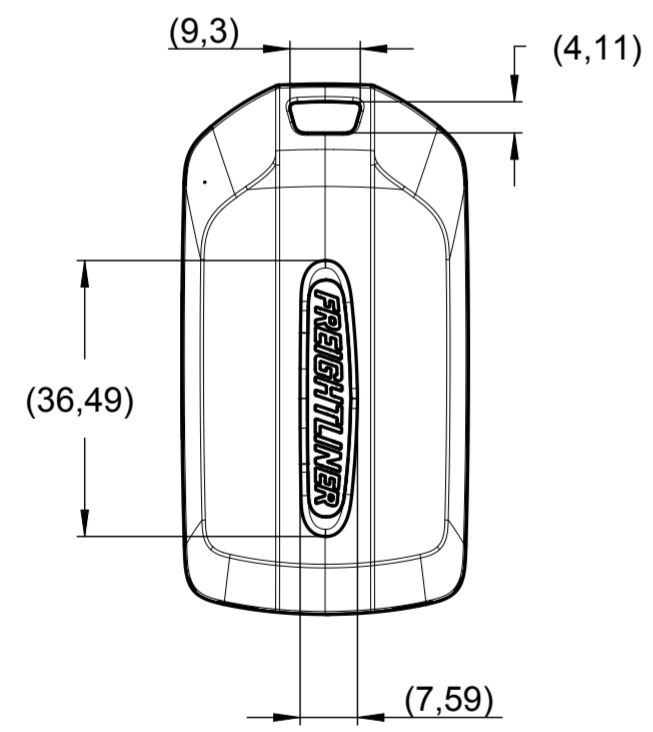
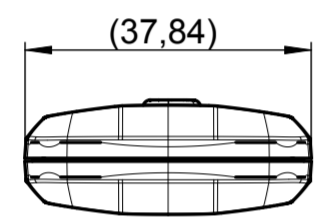


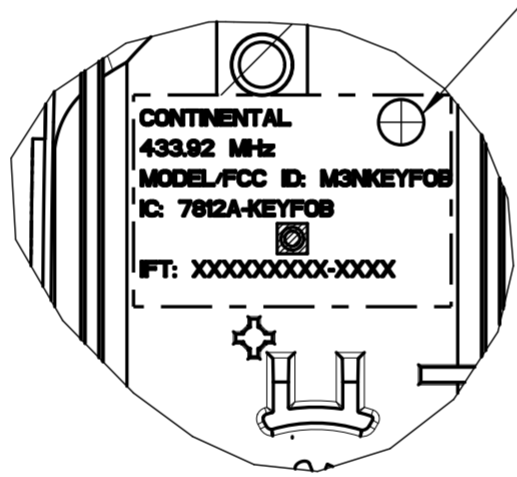
NO. ITEM	DESCRIPTION
1	TOP COVER
2	PCB
3	Humidity Label
4	BATTERY
5	BATTERY CLIP (+)
6	BACK COVER
	ASSEMBLY



1:1



PRELIMINARY



Back cover
2:1

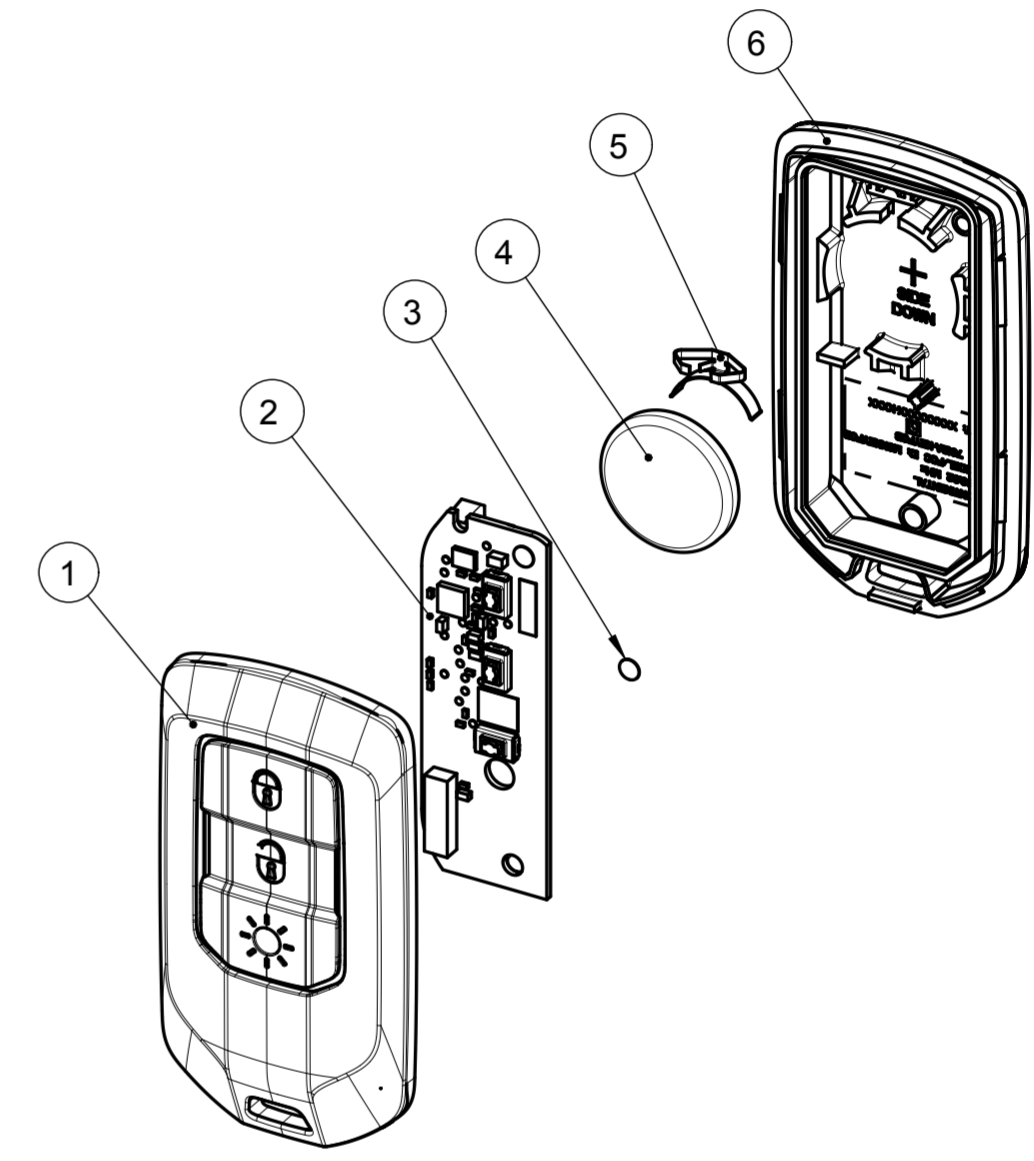
Humidity label

Homologation number
Laser marking

Numbers for keyfob:
433.92 MHz
MODEL/FCC ID: M3NKEYFOB
IC: 7812A-KEYFOB
IFT: TBD

Area 14mmx21mm as shown.
Hatched area restricted
for injection point

Frequency
433.92 MHz ± 0.01 MHz [W]



AB				-		-		-		
DOC. VERS.	CHANGED ITEMS	ZONE IN GRID	CHANGE DESCRIPTION			ECM NO.				
CREATED BY	Gonzalo.Valenzuela					DATE	2017-09-18			
REVIEWED BY	[REDACTED]					DEPARTMENT	A_CEP_PER_00000000005-R&D C			
RELEASED BY	[REDACTED]					DATE	[REDACTED]			
TITLE										
transceiver assy										
Transceiver BG										
DOCUMENT NO.	DOC. TYPE	DOC. PART	DOC. VERS.							
41170611	DRW	000	AB							
MATERIAL						CALCULATED WEIGHT				
-						24.7 g ± 10%				
SURFACE						GENERAL TOLERANCE		TOLERANCE PRINCIPLE		
-						-		ASME Y14.5M		
3D MODEL						DRAWING				
40866494_CAD_001.AB.0.In Work.ASSEM						41170611_DRW_000.AB.0.In Work				
DIMENSION IN MILLIMETERS										
CAD SYSTEM		(C)Continental AG		2017	SCALE	1:1		PAGE		
CREO2 M240							1 of 1		FORMAT	
THE REPRODUCTION, DISTRIBUTION AND UTILIZATION OF THIS DOCUMENT AS WELL AS THE COMMUNICATION OF ITS CONTENT TO OTHERS WITHOUT EXPRESS AUTHORIZATION IS PROHIBITED. OFFENDERS WILL BE HELD LIABLE FOR THE PAYMENT OF DAMAGES. ALL RIGHTS RESERVED IN THE EVENT OF THE GRANT OF A PATENT, UTILITY MODEL OR DESIGN.									A 2	
NO GUARANTEE CAN BE GIVEN IN RESPECT OF THE TRANSLATION. IN ALL CASES THE LATEST ENGLISH LANGUAGE VERSION OF THIS DOCUMENT SHALL BE TAKEN AS AUTHORITY.										

4.4 Certificates at final customer packaging

Each KEYFOB will be delivered in a single bag to final customer. Every bag will include a label that will include:

- Customer specific data
- FCC ID certification number
- IC certification number

