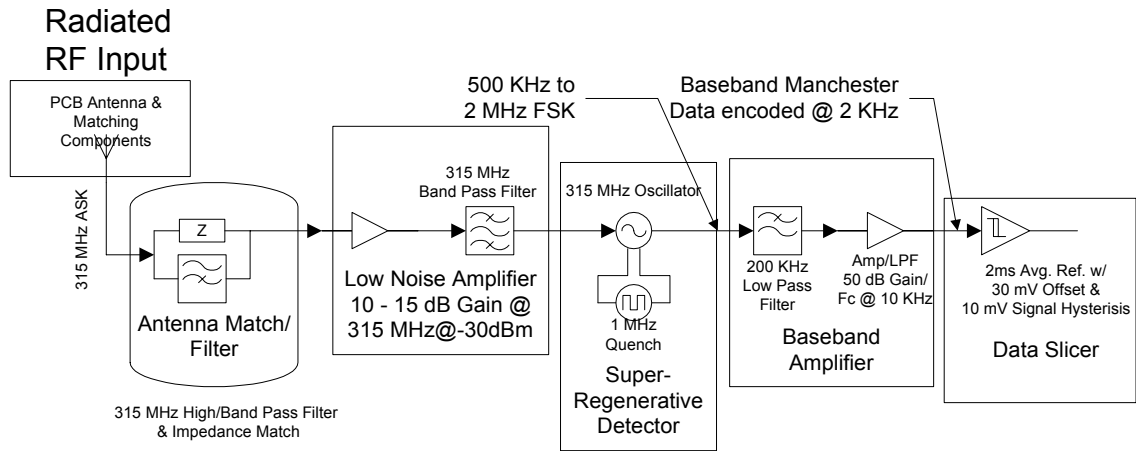


Receiver Block Diagram

The receiver has the following sections: Antenna Match/Filter, Low Noise Amplifier, SuperRegenerative Detector, Baseband Amplifier, and Data Slicer. The following Receiver Block Diagram shows the relationship between these sections.



BLOCK DIAGRAM

BSM-Module Block Diagram:

