

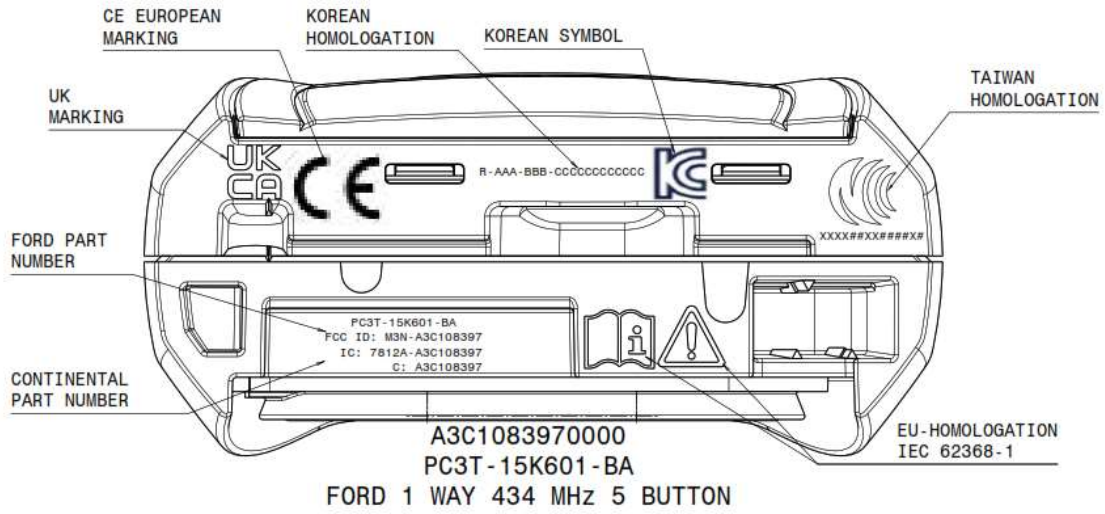


The MY21 Ford PK CGEA 1.3 Uni Directional FOB

11/12/2021

Functional description:

The MY21 Ford PK CGEA 1.3 Uni Directional fob is 434MHz PASE fob. The RF transmitter is used to transmit information to the receiver in the vehicle for locking, unlocking, opening the trunk, and Panic function. RF messages can be transmitted by one of two means. The keypad on the fob can be used for locking, unlocking, opening the trunk, and panic (RKE). Lifting the door handle or pushing the start button in the vehicle will generate an LF field, which the key will respond to with a RF transmission to unlock or start the vehicle (PASE).



Mark Ho