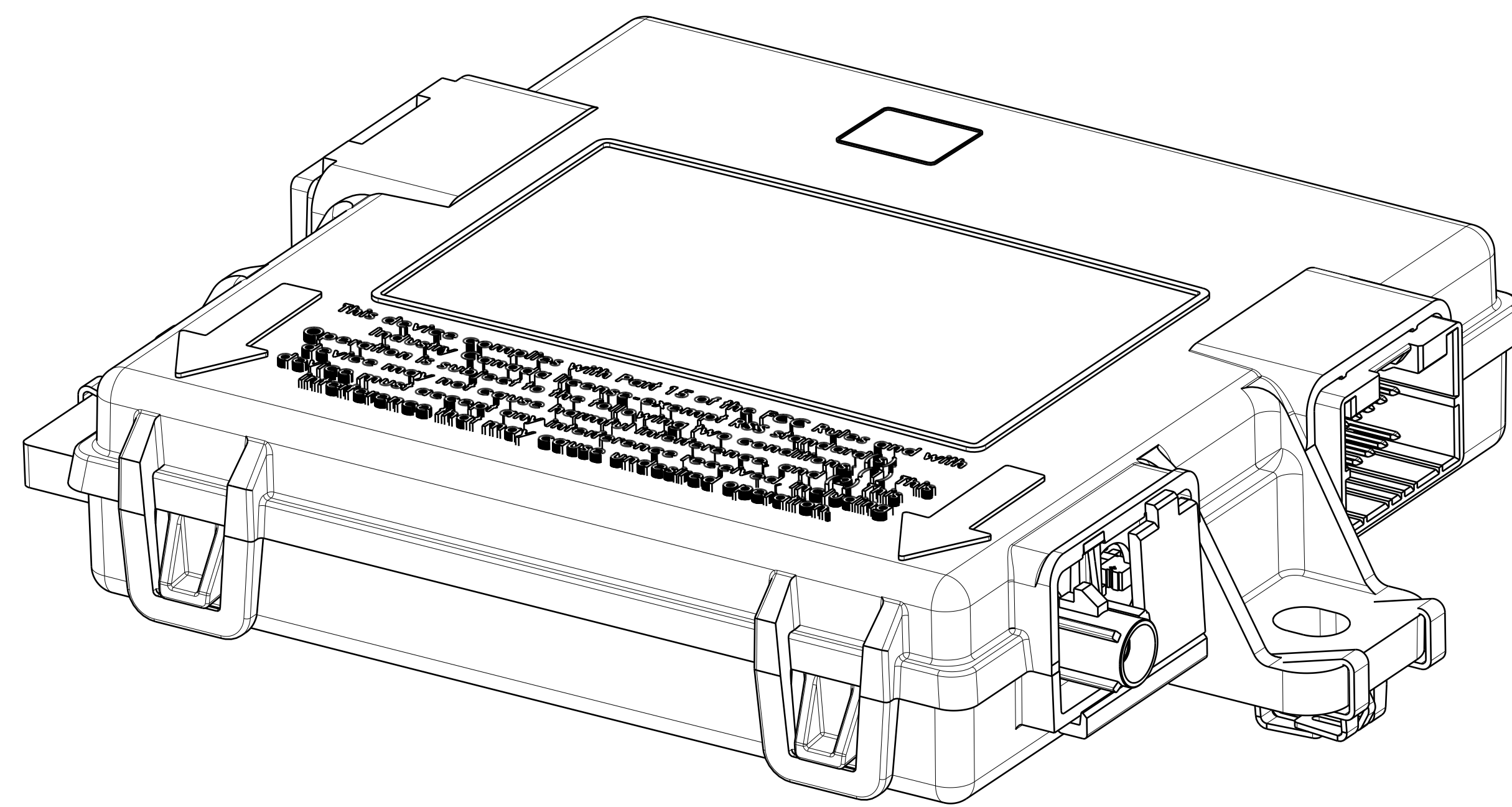
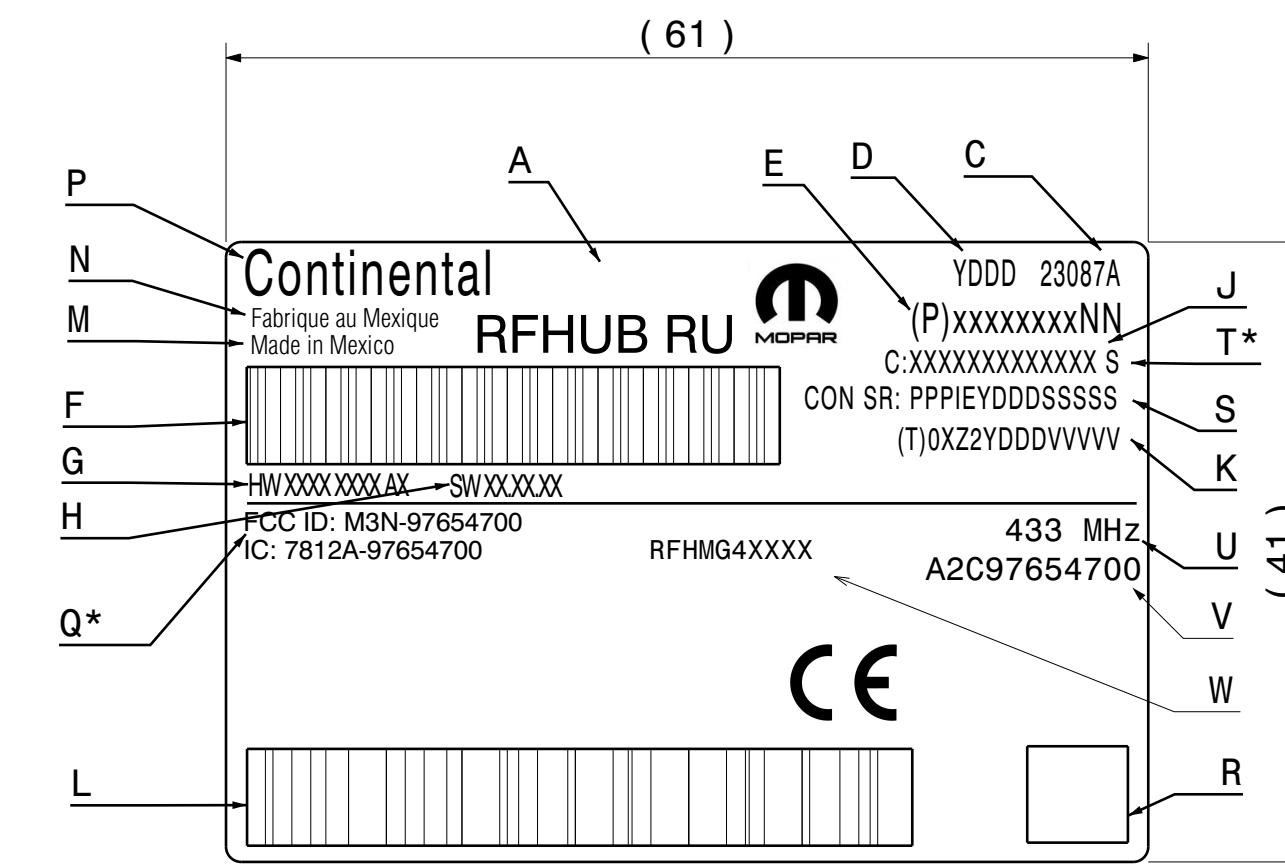


ISOMETRIC VIEW (1)  
SCALE: 2:1



ISOMETRIC VIEW (2)  
RSA connector  
SCALE: 2:1



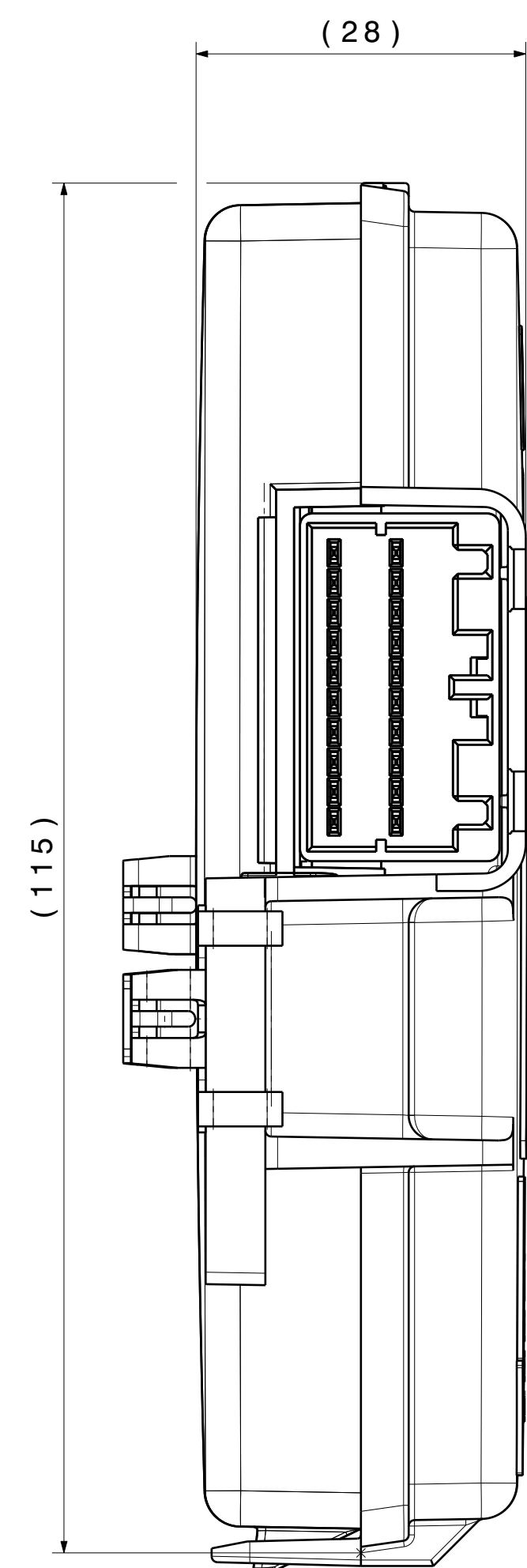
LABEL

CONTENT OF THE LABEL  
RF HUB GEN 4, HOUSING

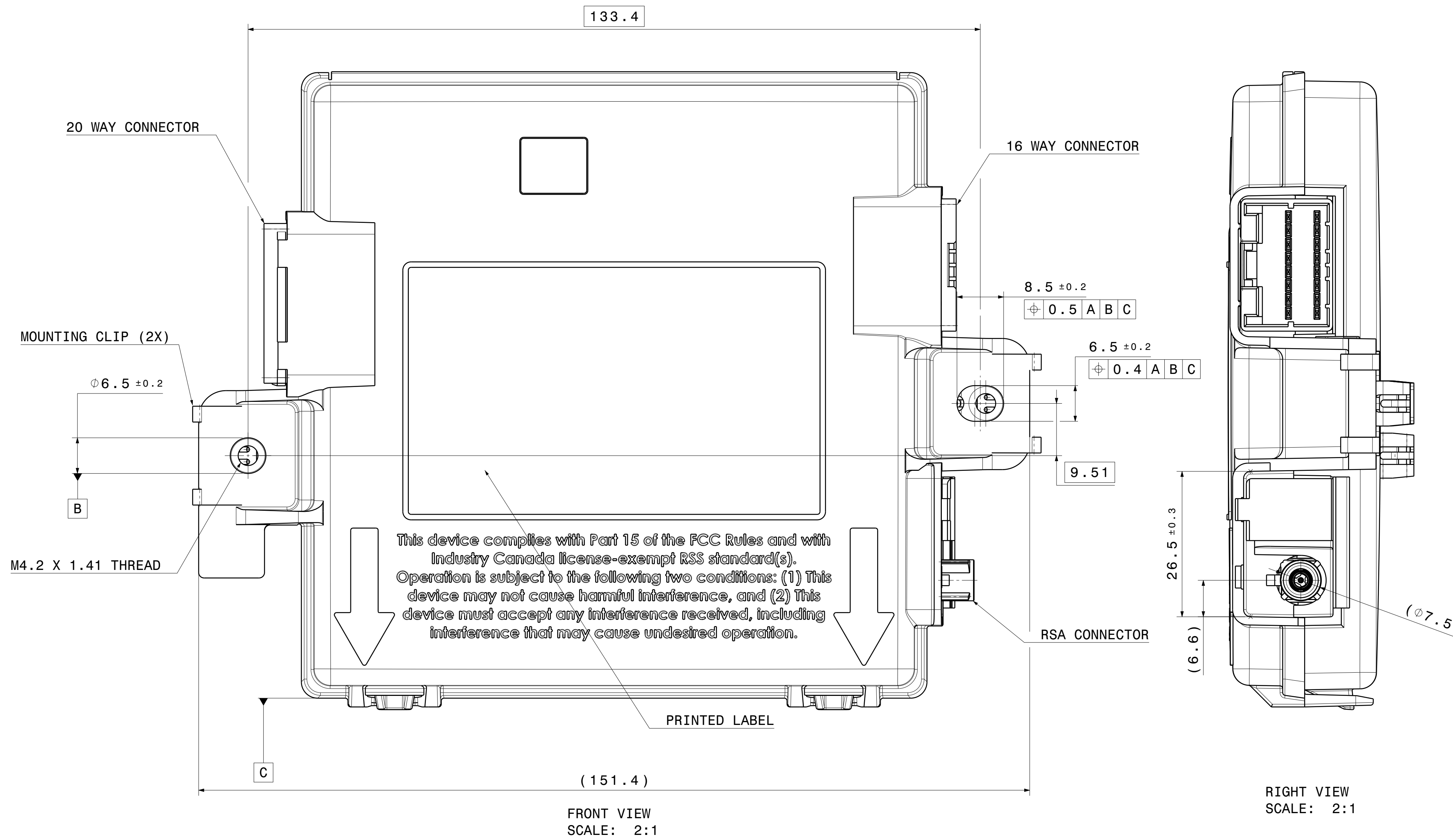
FIELD	DESCRIPTION
A	CHRYSLER DEVICE TYPE
C	CHRYSLER - SUPPLIER CODE
D	MANUFACTURING DATE
E	CHRYSLER-PART NUMBER
F	CHRYSLER BAR CODE
G	CURRENT HARDWARE PN
H	CURRENT SOFTWARE REV
J	CONTINENTAL -PART NUMBER
K	CONTINENTAL BAR CODE REAL TEXT
L	CONTINENTAL BAR CODE
M	COUNTRY OF ORIGIN (EN)
N	COUNTRY OF ORIGIN (FR)
P	CONTINENTAL LOGO
Q	HOMOLOGATION
R	CONTINENTAL INTERNAL SR. NO.
S	CONTINENTAL INTERNAL SR. NO. READABLE
T	*S CODE ONLY FOR SERVICE PARTS
U	FREQUENCY
V	TYPE DESIGNATION
W	HOMOLOGATION VARIANT

UNLESS OTHERWISE SPECIFIED  
1. ALL MATH DATA IS ASSUMED BASIC  
2.  $\square 2|A|B|C$   
ALL FORM WITH BLENDED UNIFORMITY  
3.  $\square 2|A|B|C$   
ALL TRIM EDGES  
4.  $\square 2|A|B|C$   
ALL CIRCULAR FEATURES OF SIZE  
5.  $\square 2|A|B|C$   
ALL NON CIRCULAR FEATURES OF SIZE

LABEL COUNTRY	HOMOLOGATION CODE/LOGO
USA	
MEXICO	
CANADA	
EUROPEAN COMMUNITY:	
AUSTRIA, BELGIUM, BULGARIA, CYPRUS, CZECH REPUBLIC, DENMARK, ESTONIA, FINLAND, FRANCE, GERMANY, GREECE, HUNGARY, IRELAND, ITALY, LATVIA, LITHUANIA, LUXEMBOURG, MALTA, NETHERLANDS, POLAND, PORTUGAL, ROMANIA, SLOVAK REPUBLIC, SLOVENIA, SPAIN, SWEDEN, UK	
R&TTE COUNTRIES:	
SWITZERLAND	
RUSSIA	
CHINA	
TAIWAN	
NEW CALEDONIA	
PHILIPPINES	
FRENCH POLYNESIA/TAHITI	
VIETNAM	
MONGOLIA	
ARGENTINA	
BARBADOS & ISLAND COUNTRIES	
BOLIVIA	
BRAZIL	
PRINT IN BLACK AND WHITE OR: YELLOW PANTONE 123C (ARC) BLUE 288C (BALL) GREEN 3296 (LETTERS)	
GUATEMALA	
PANAMA	
HONDURAS	
COSTA RICA	
CHILE	
DOMINICAN REPUBLIC	
COLOMBIA	
ECUADOR	
PARAGUAY	
PERU	
PUERTO RICO	
ST. THOMAS/US VIRGIN ISLANDS	
BAHRAIN	
KUWAIT	
QATAR	
SAUDI ARABIA	
OMAN	
UNITED ARAB EMIRATE	
URUGUAY	
YEMEN	
EGYPT	
GUAM	
ISRAEL	
JORDAN	
LEBANON	

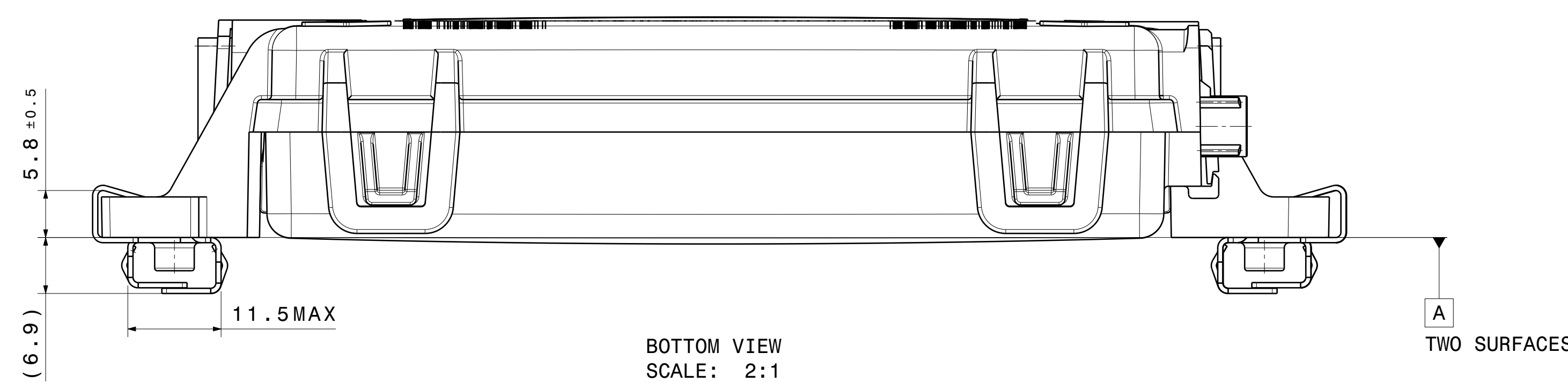


LEFT VIEW  
SCALE: 2:1



FRONT VIEW  
SCALE: 2:1

RIGHT VIEW  
SCALE: 2:1



BOTTOM VIEW  
SCALE: 2:1

VAR	DESCRIPTION	CHRYSLER PN	CONTINENTAL ECU	HOMOLOGATION VARIANT	RSA
1	RFHM-RU ECU VARIANT 1 (433 MHz, ATX, PEKG, LOSYNC)	68383681AA	A2C16381001	RFHMG4IN55	
2	RFHM-RU ECU VARIANT 2 (433 MHz, ATX, RSA, PEKG, LOSYNC)	68383680AA	A2C16381101	RFHMG4EXA	X
3	RFHM-RU ECU VARIANT 3 (433 MHz, ATX, PEKG, LOSYNC)			RFHMG4IN85	
4	RFHM-RU ECU VARIANT 4 (433 MHz, ATX, PEKG, LOSYNC)			RFHMG4PCB	

**8F5:H**

WUR023457	AB		2018/02/07	DO
WUR023457	AA	RU MY19 SW RELEASE 04.00.00	2017/12/04	DO
NOTE NO.	INDEX	DESCRIPTION	(YY/MM/DD)	NAME
E-SIGN			DATE	
DOC. CHANGEZONE	IN	CHANGE DESCRIPTION	ECW NO.	10302667
VERS.	ITFWS	DATE	DATE	DEPARTMENT
CREATED BY	JESUS PENA	2015/07/01	1	BAS CFWD
RELEASED BY	DANIAN OBERO	2017/12/04	1	BAS CFWD
RELEASED BY	IVAN BARRERA	2017/12/04	1	BAS CFWD
TITLE	RU MY19 RFHM			
DOCUMENT NO.	512X MICRO DRAWING CUSTOMER			
41108934	DRW	000	AB	
MATERIAL				CALCULATED WEIGHT
SURFACE				TOLERANCE PRESCRIPTION
DO MODEL				
41108934.DRW.00.AB.CATDrawing				
DIMENSIONS IN MILLIMETERS				
CAD SYSTEM	(C) Continental AG			SCALE 1:1
PAGE 1 of 1				
THE REPRODUCTION, DISTRIBUTION AND UTILIZATION OF THIS DOCUMENT AS WELL AS THE COMMUNICATION OF ITS CONTENTS TO OTHERS WITHOUT EXPRESS AUTHORIZATION IS PROHIBITED. OFFENDERS WILL BE HELD LIABLE FOR THE PAYMENT OF DAMAGES. ALL RIGHTS RESERVED IN THE EVENT OF A PATENT, UTILITY MODEL OR DESIGN.				
NO WARRANTIES OR GUARANTEES ARE MADE BY CONTINENTAL IN CONNECTION WITH THIS DOCUMENT AND ITS CONTENTS.				
A0				