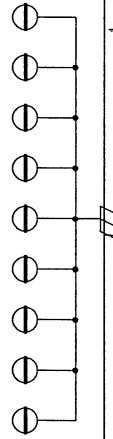
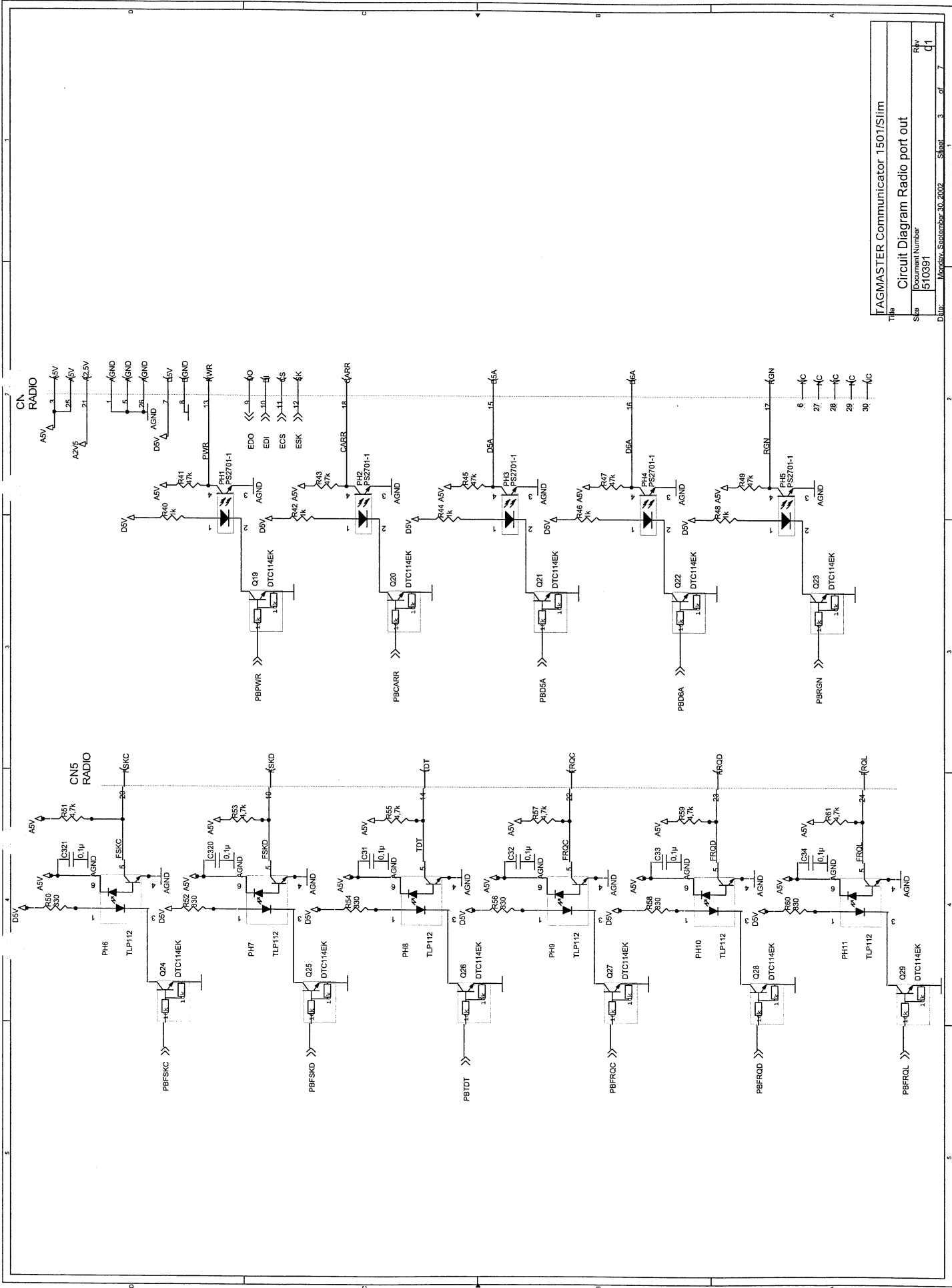
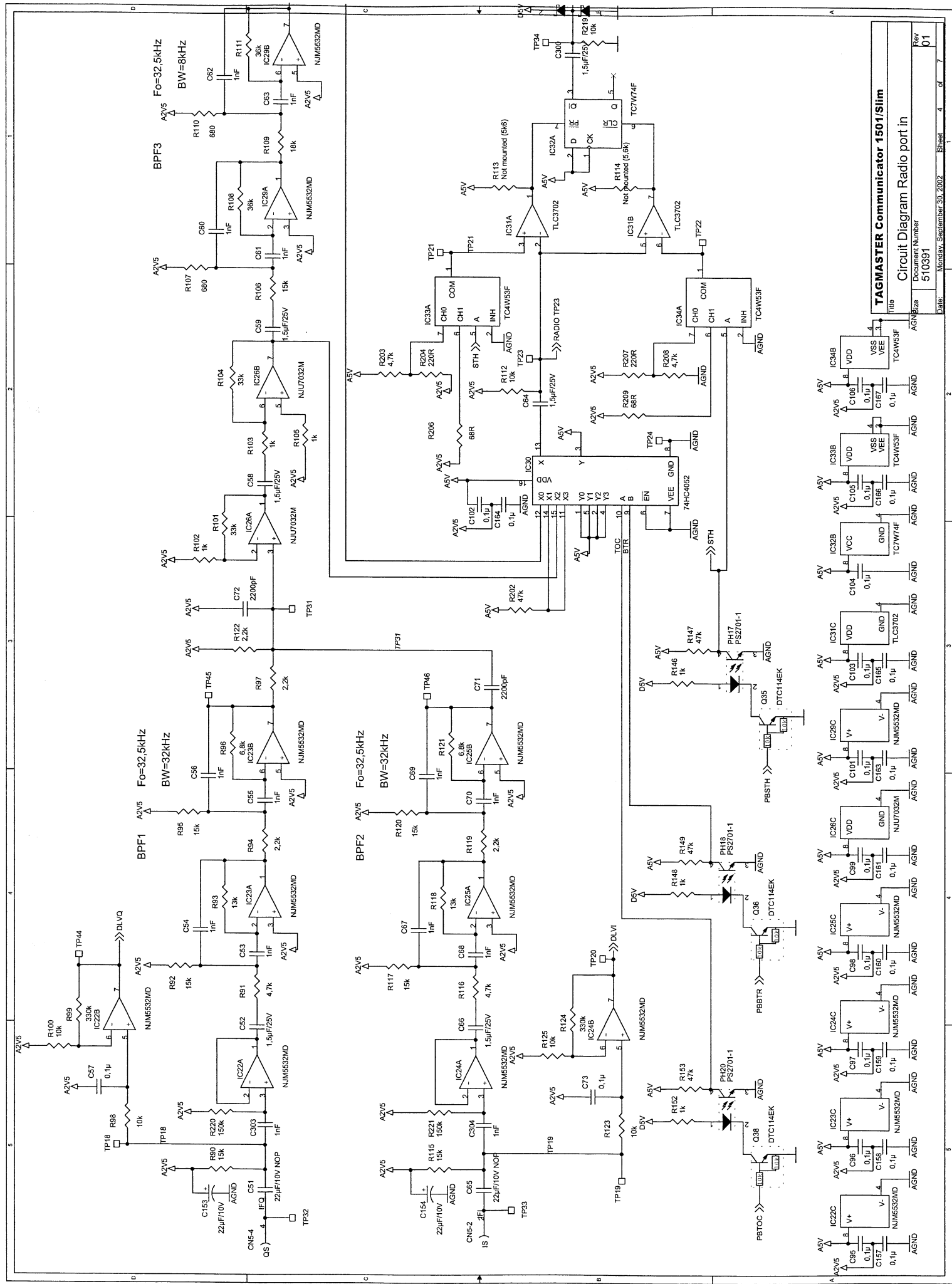


TAGMASTER Communicator 1501	
Title	Circuit Diagram
Size	Document Number
A3	510383
Order	Wednesday, June 25, 2002
	Sheet 7 of 7

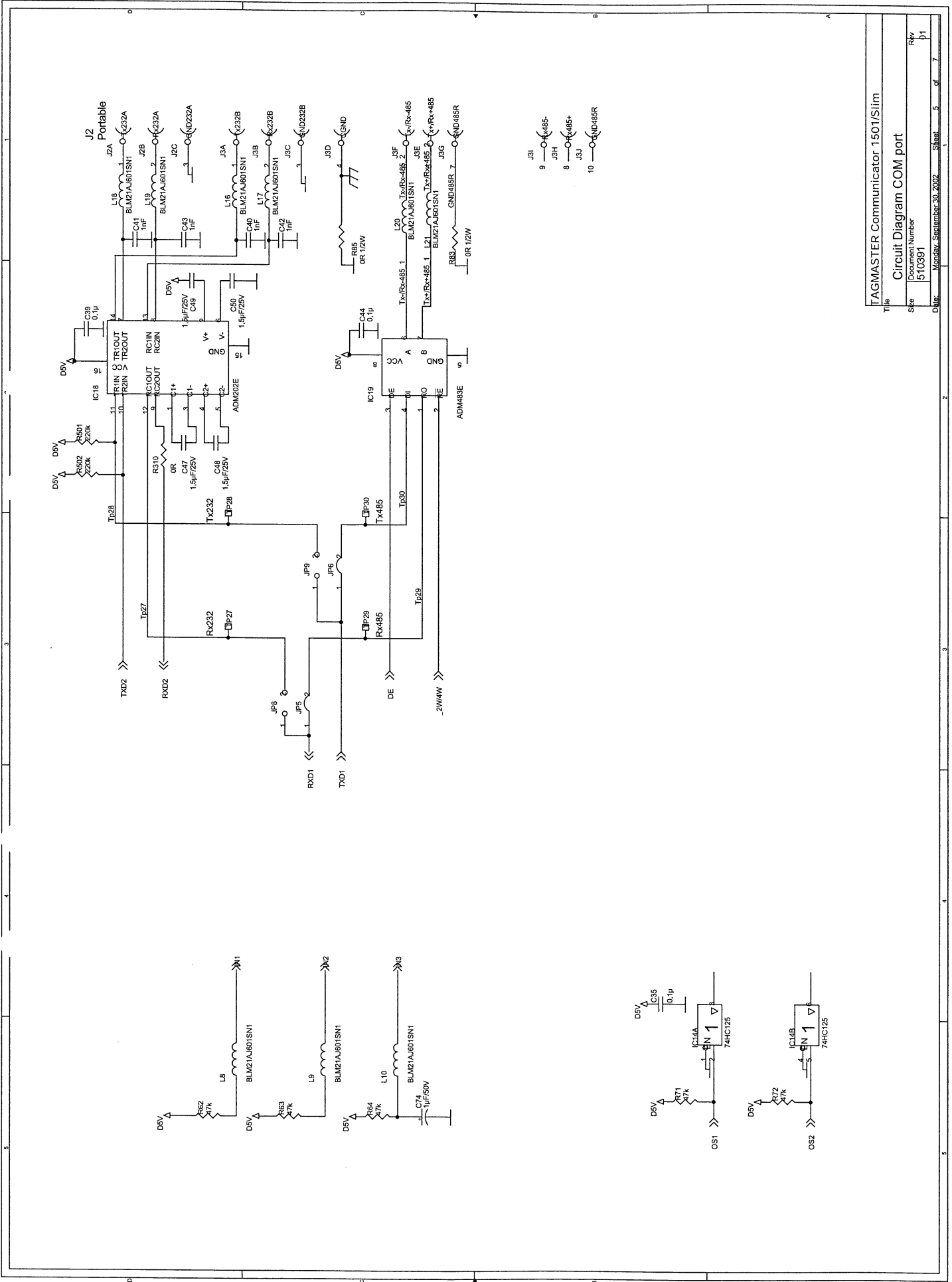




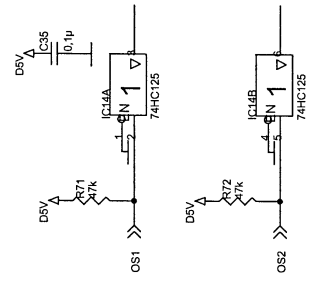


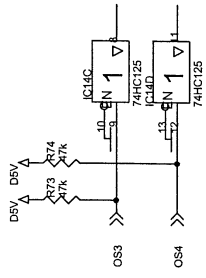


**TAGMASTER Communicator 1501/511m**  
 Circuit Diagram Radio port in  
 Title  
 Document Number  
 510391  
 Date  
 Monday, September 30, 2002  
 Sheet 4 of 7  
 Rev 01



TAGMASTER Communicator 1501/Slim	
Title	Circuit Diagram COM port
Size	Document Number 510391
Date	Monday, September 30, 2002
Sheet	5 of 7





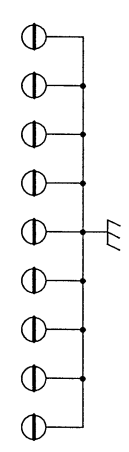
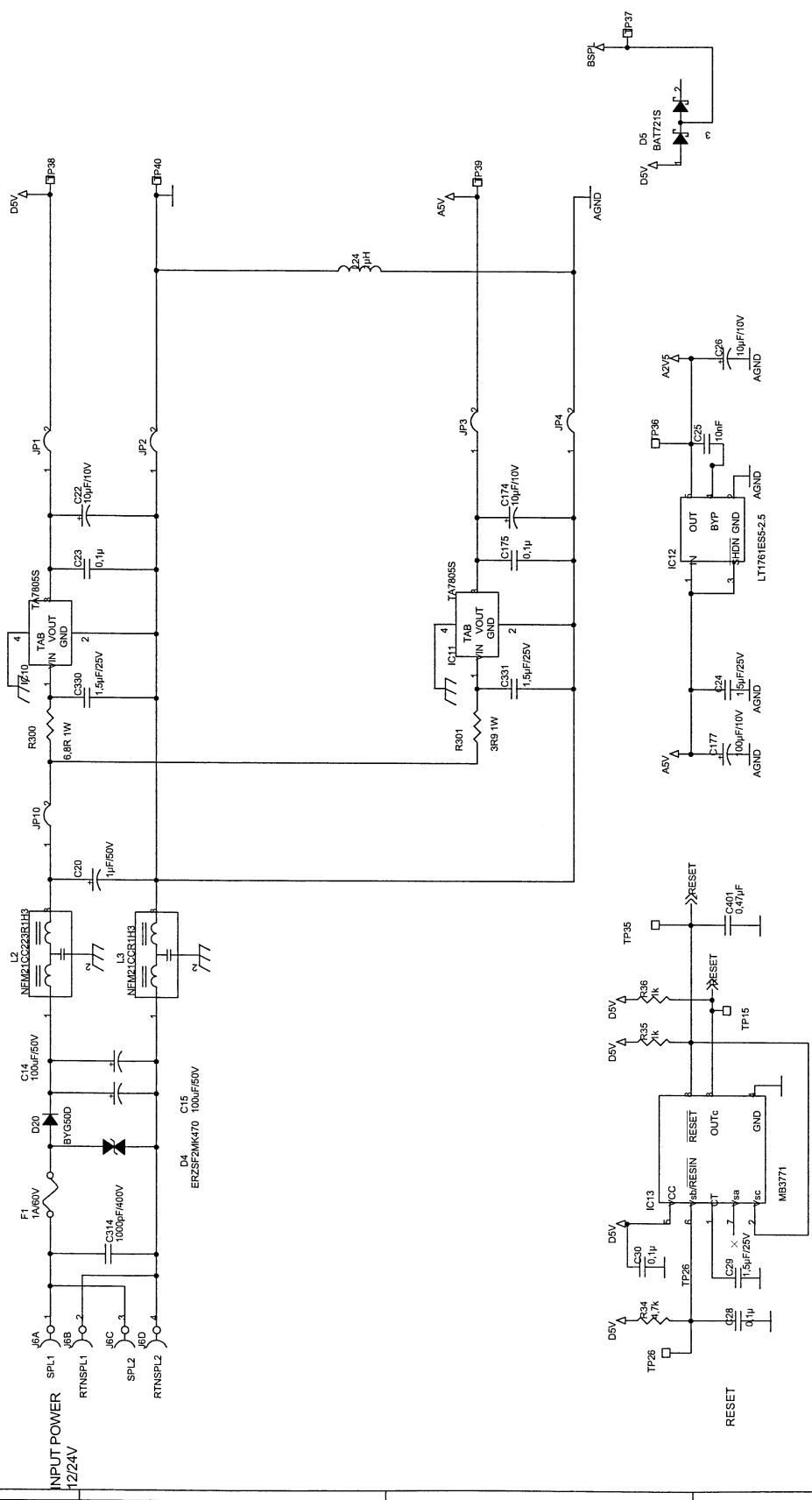
TAGMASTER Communicator 1501/Slim

Title: Circuit Diagram IO port

Size: Document Number  
510XXX

Date: Monday, September 30, 2002 Sheet 6 of 7





TAGMASTER Communicator 1501/Slim	
Power and Reset	
Docu	Document Number
510391	510391
Rev	Rev
1	1
7	7
of	of
7	7
Sheet	Sheet
7	7
of	of
7	7