

ELT ANTENNA

1327-82 / 121.5, 243 and 406 MHz

COBHAM

The most important thing we build is trust



SURVIVE YOUR EMERGENCY



- **Designed for general aviation (fixed-wings and helicopters)**
- **Three frequencies: 121.5, 243, 406 MHz (multi-channels)**
- **Proven maturity and reliability**
- **Certified with major ELT manufacturers**
- **DC-grounded to provide static charge flow and lightning protection**

ELT ANTENNA



1327-82/ 121.5, 243 and 406 MHz

Product Features

The airborne antenna P/N 1327-82 is designed to transmit emergency signals on the 121.5, 243 and 406 MHz frequencies.

The raked antenna is usually used in general aviation for fixed-wing and helicopter applications.

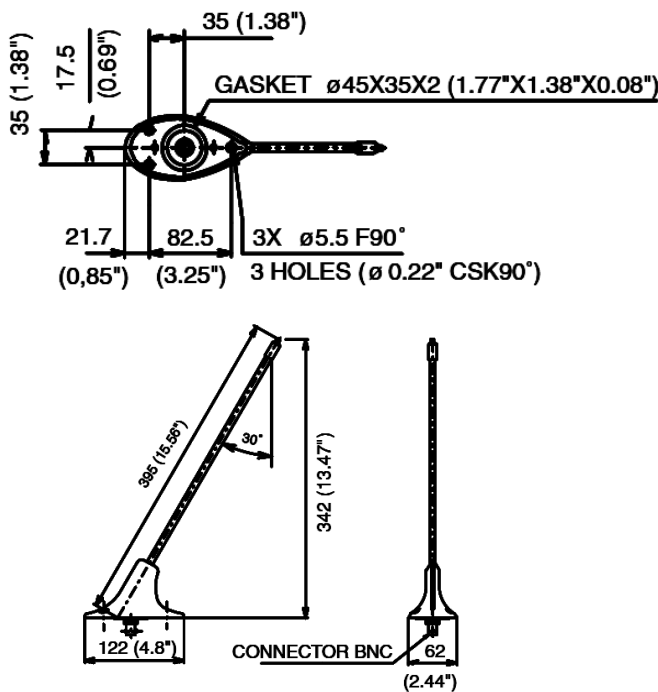
It has been selected and certified with the major ELT manufacturers.

The antenna includes an aluminum alloy base, a black whip radiating element and a white mass-colored radome.

This antenna is hermetically sealed by an O-ring.

About Cobham Aerospace Communications

Cobham Aerospace Communications is a global supplier of avionics and slip-ring solutions for civil and military applications.



ELT ANTENNA 1327-82:

Frequency range: 121.5, 243, 406 MHz

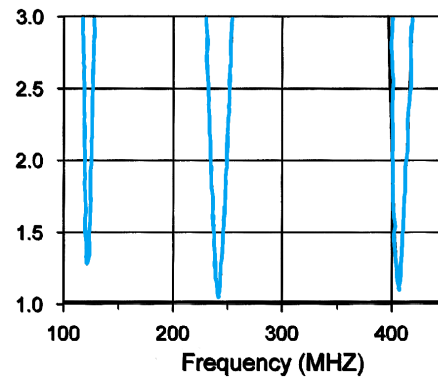
Power handling: 10 W CW

Nominal impedance: 50 Ohms

VSWR < 1.5 - 406 MHz

VSWR < 1.8 - 121.5 and 243 MHz

Typical VSWR curve:



Polarization: Vertical

Dimensions/Weight (approx.):

Sizes: See drawing (mm/inch)

Weight: ≤ 0.15 kg / 0.3 lb

Antenna connector: BNC female

Compliance:

Operating temperature range: - 45°C to + 70°C

Lightning protection: DC-grounded

ETSO-2C91a

ETSO-2C126

For further information please contact :

Cobham Aerospace Communications

6400 Wilkinson Drive
Prescott, AZ 86301 USA

T: +1 (928) 705 1550

F: +1 (928) 541 7627

E: sales.prescott@cobham.com

Cobham Aerospace Communications

35 Rue de Montlhéry
Silic—BP 20191

94563 Rungis Cedex France

T: +33 (0) 1 49 78 6600

F: +33 (0) 1 49 78 6699

E: sales.rungis@cobham.com

Cobham Antennas

7 Chemin de Vaubensard
91410 Dourdan France

T: +33 (0) 1 60 81 5555

F: +33 (0) 1 60 81 5556

E: sales.dourdan@cobham.com