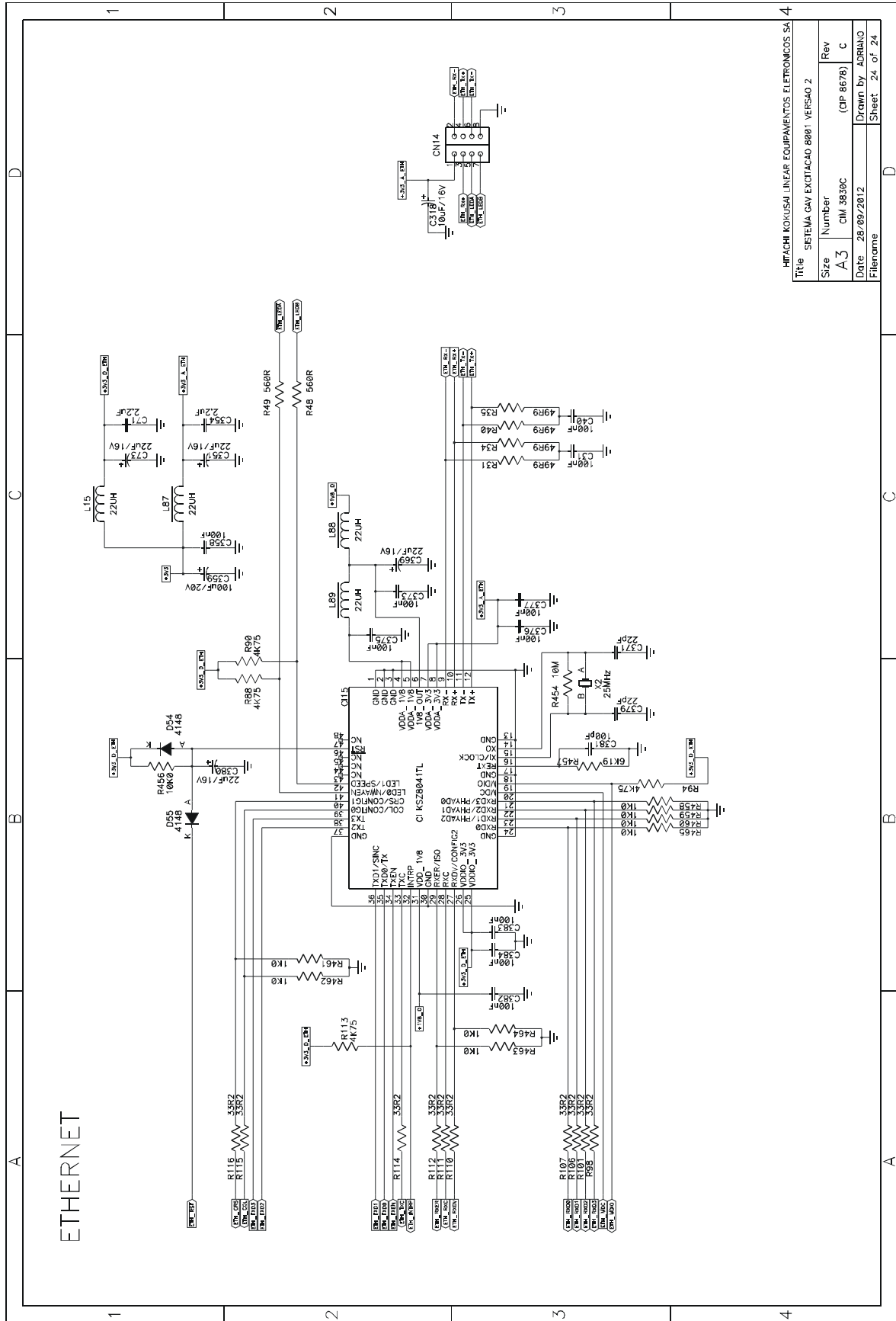


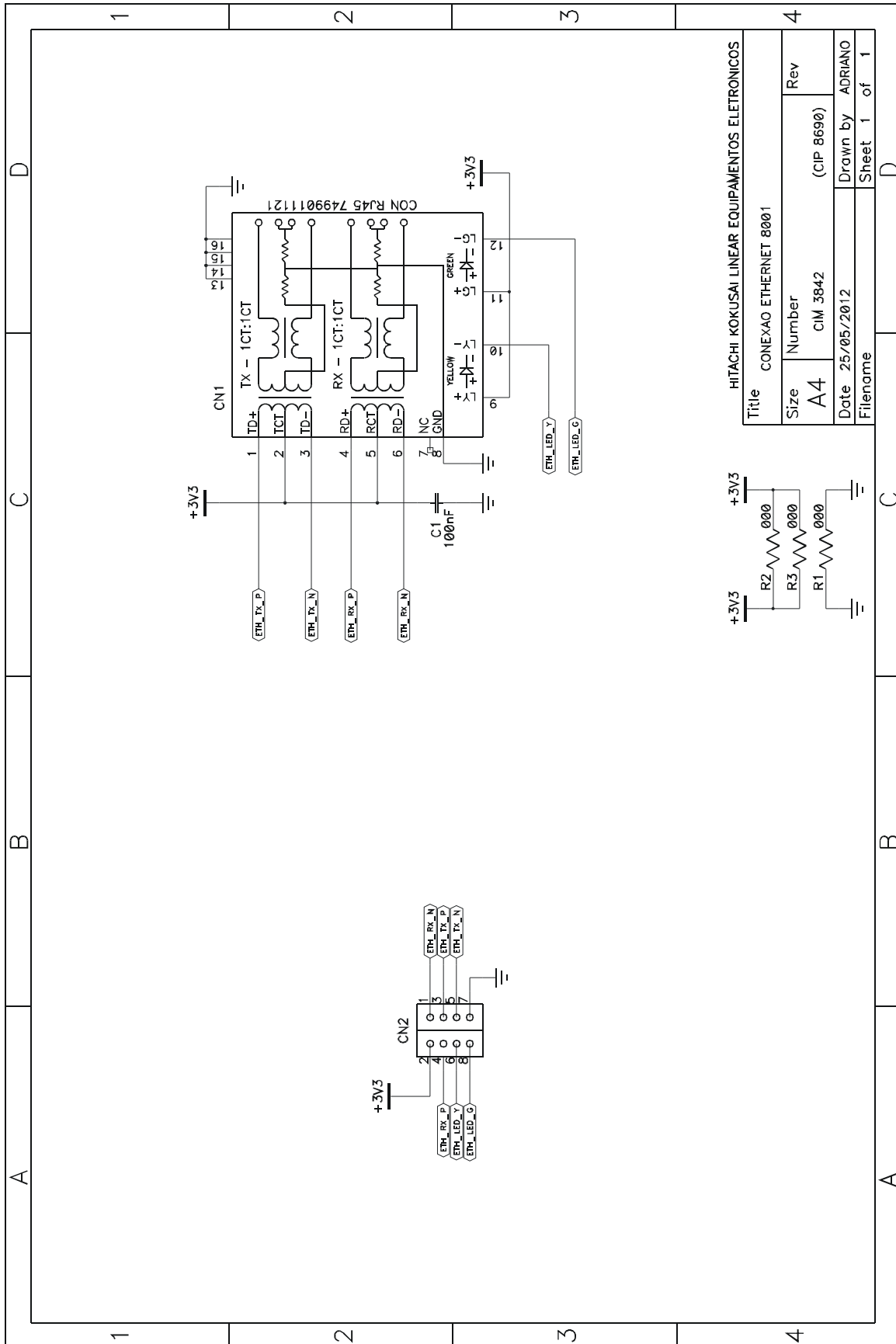
HITACHI KOKUSAI LINEAR EQUIPAMENTOS ELETRONICOS SA
TITULO SISTEMA GAV EXCITACAO 8001 - VERSAO 2

Size	Number	Rev
A3	OM 3850C	(ap 86/78) C
Date	28/09/2012	Drawn by: ADRIANO
Filename		Sheet: 23 of 24



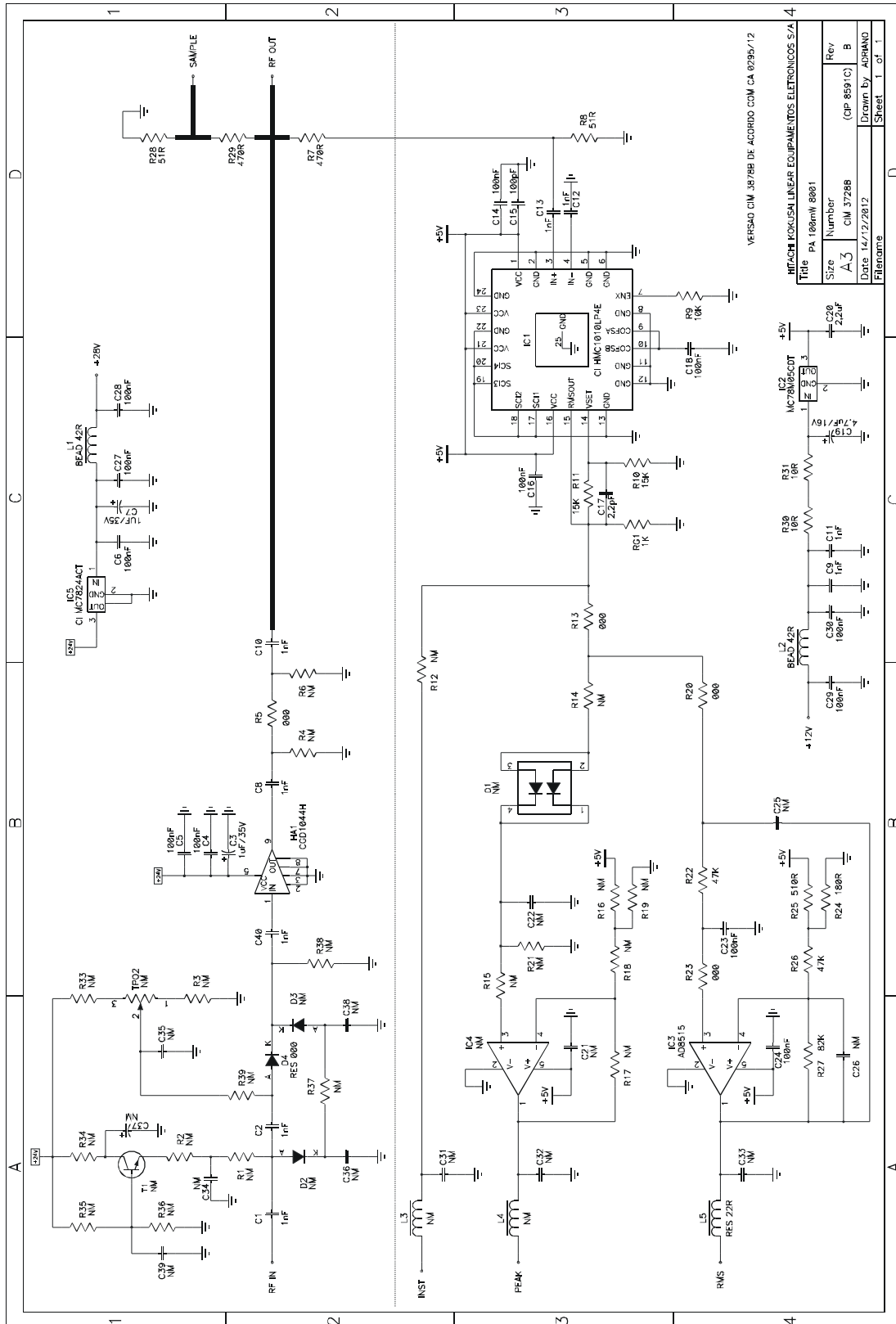
Title		SETEMA GAV EXCITACAO 8001 VERSAO 2	
Size	Number	(01 8678)	Rev
A3	01	3830C	C
Date		28/09/2012	
Filename		Drawn by AURIANO	
		Sheet: 24 of 24	

b) Ethernet Board - CIM 3842 (CIP 8690)



2. Amplifier 100mW - Module 4726A

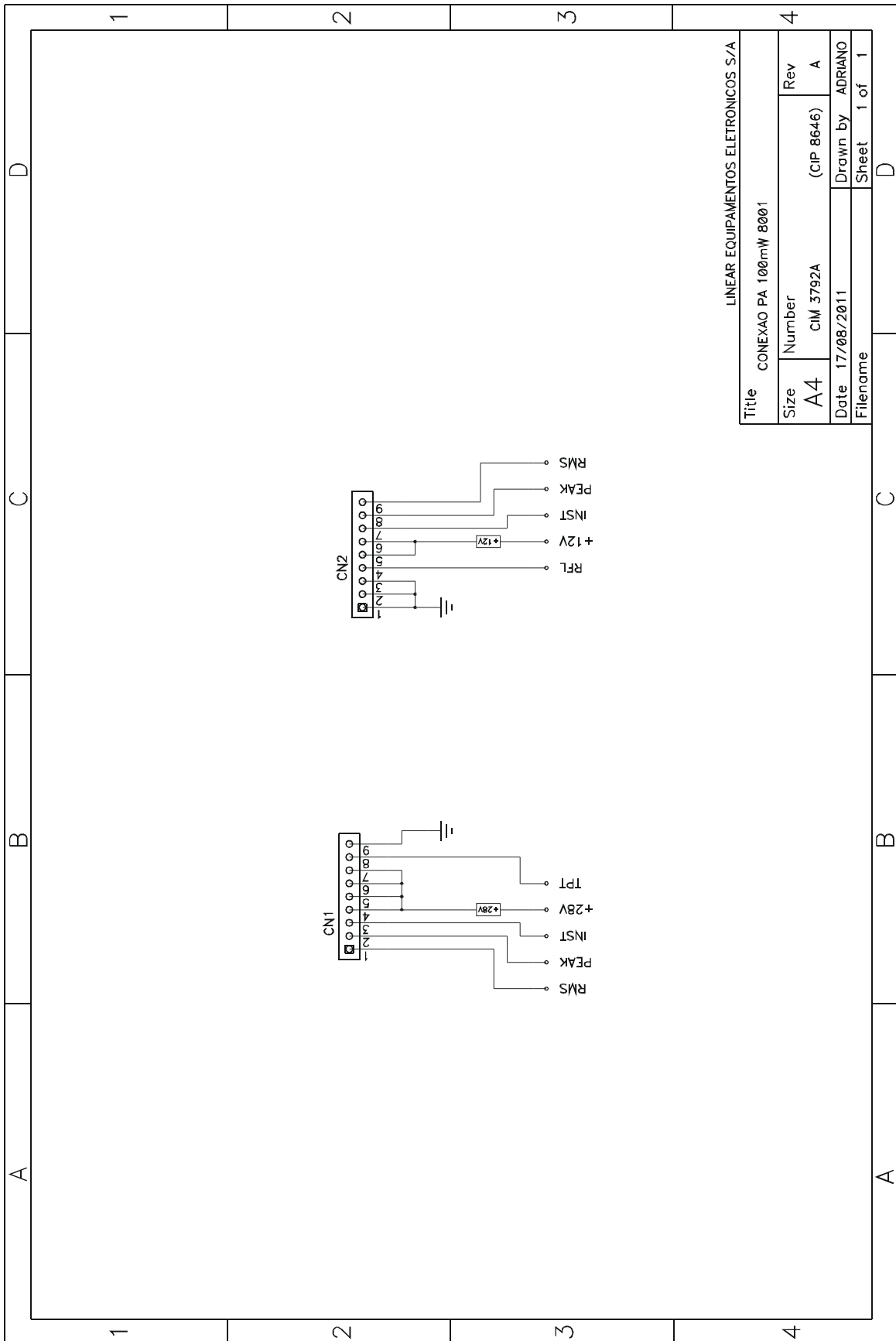
a) Amplifier - CIM 3728B (CIP 8591C)



VERSAO CIM 3878B DE ACRIBIO CCM CA 0295/12

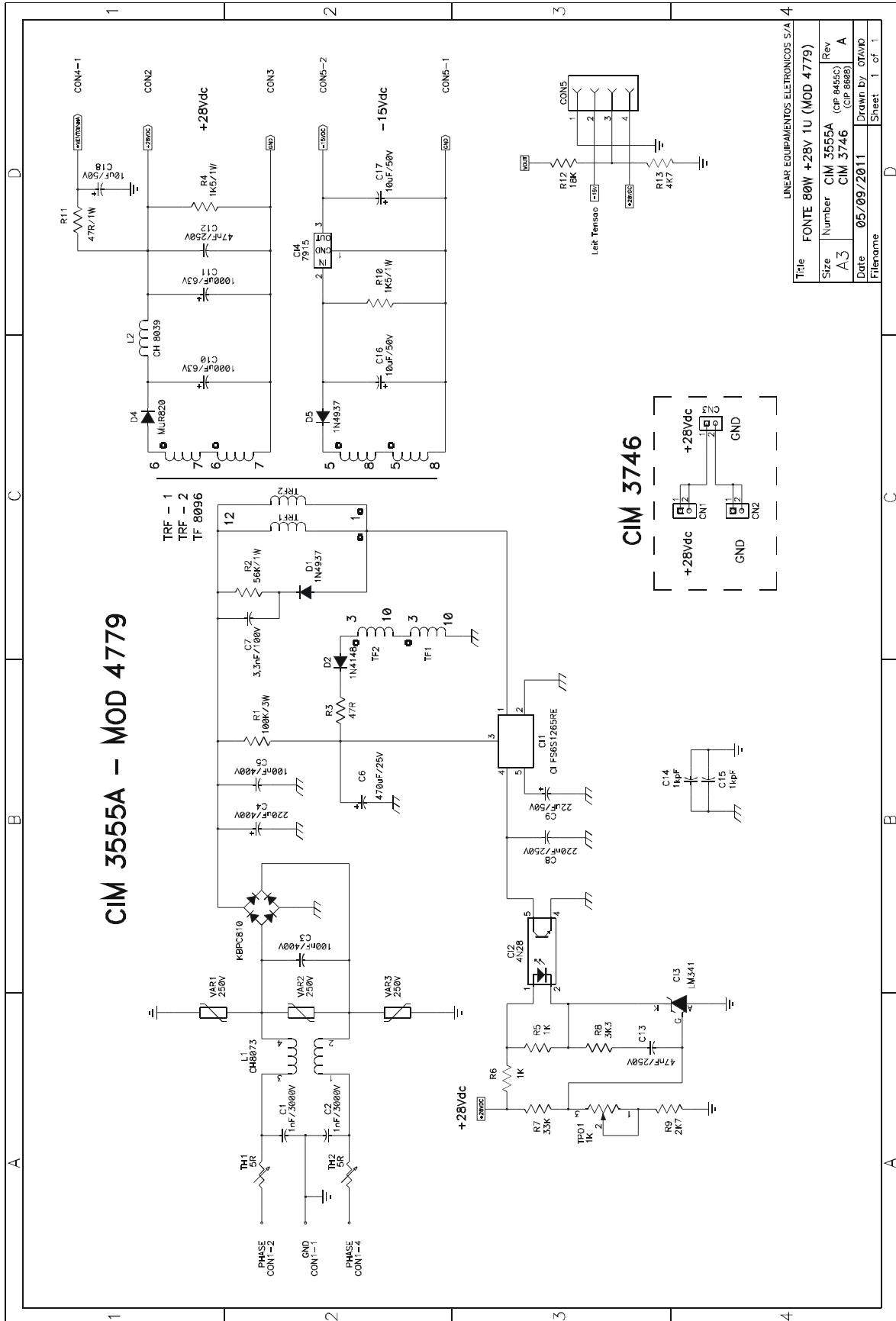
Title		PA 100mW 8001	
Size	Number	CIP 8591C	Rev
A3	CIM 3728B		B
Date		14/12/2012	
File name		Drawn by JAPRANO	
		Sheet 1 of 1	

b) PA Connection Board - CIM 3792A (CIP 8646)

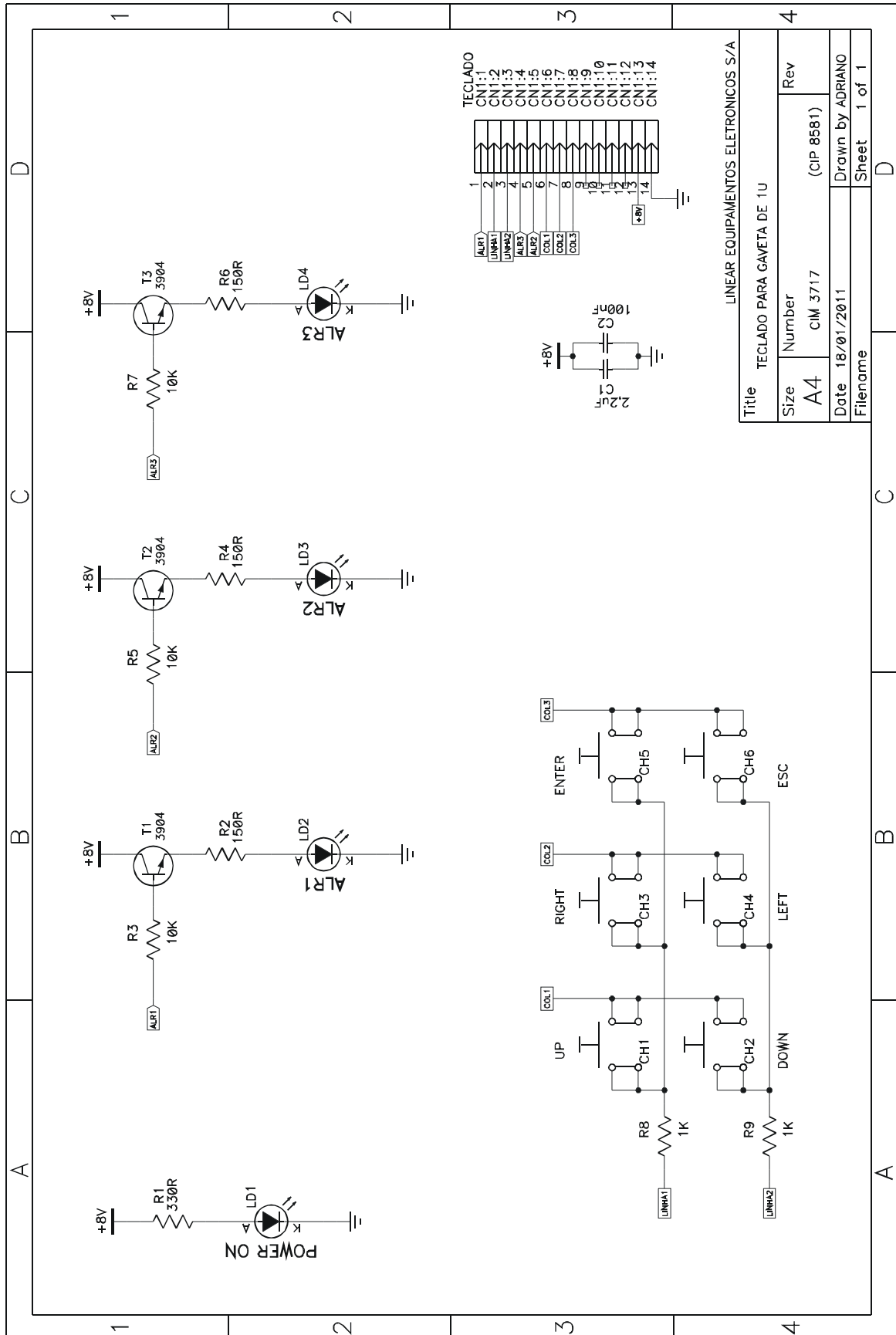


3. Power Supply 80W +28V - Module 4779

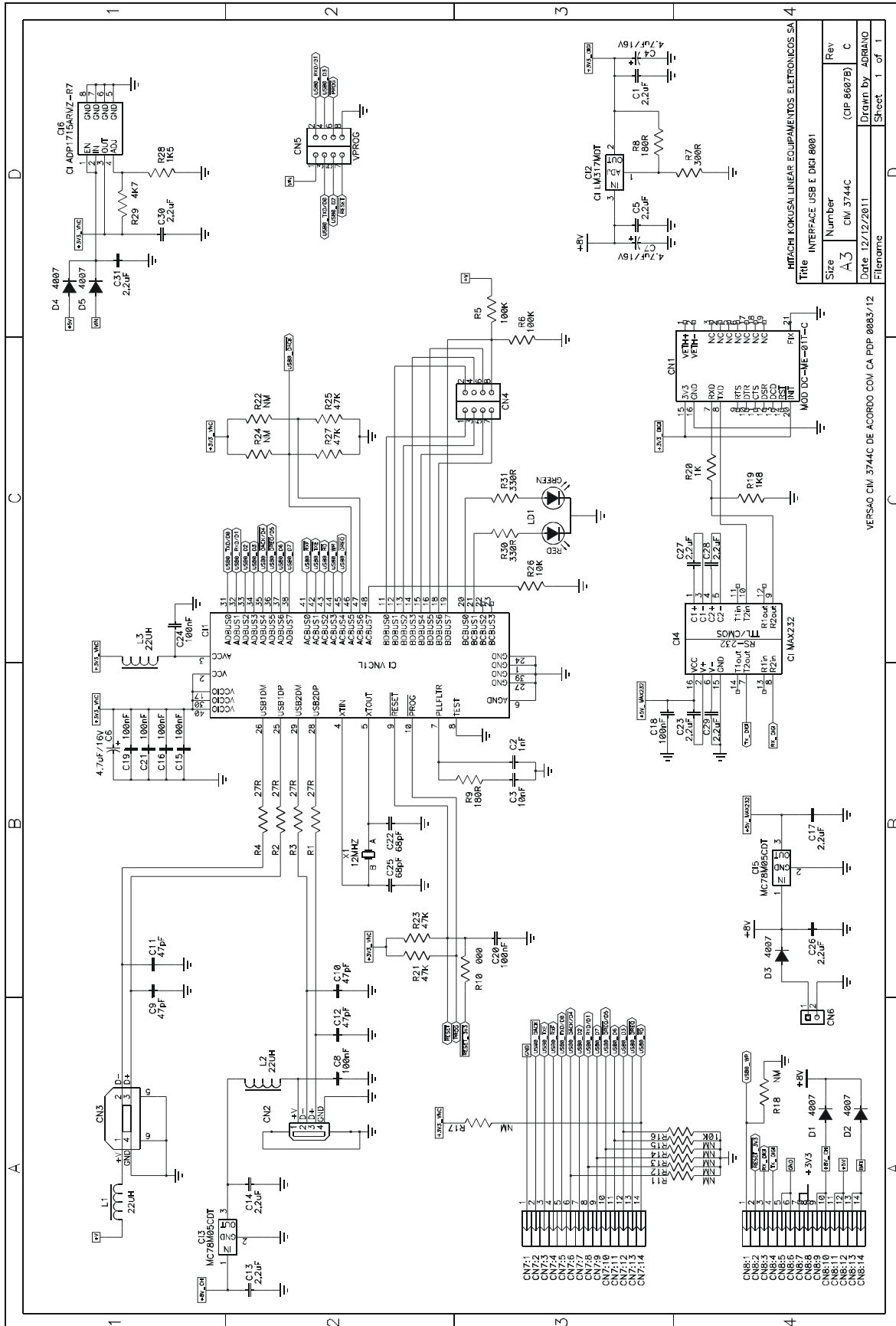
Power Supply Digital Exciter - CIM 3555A(CIP 8455C)/Connection Board P.Supply - CIM 3746(CIP 8608)



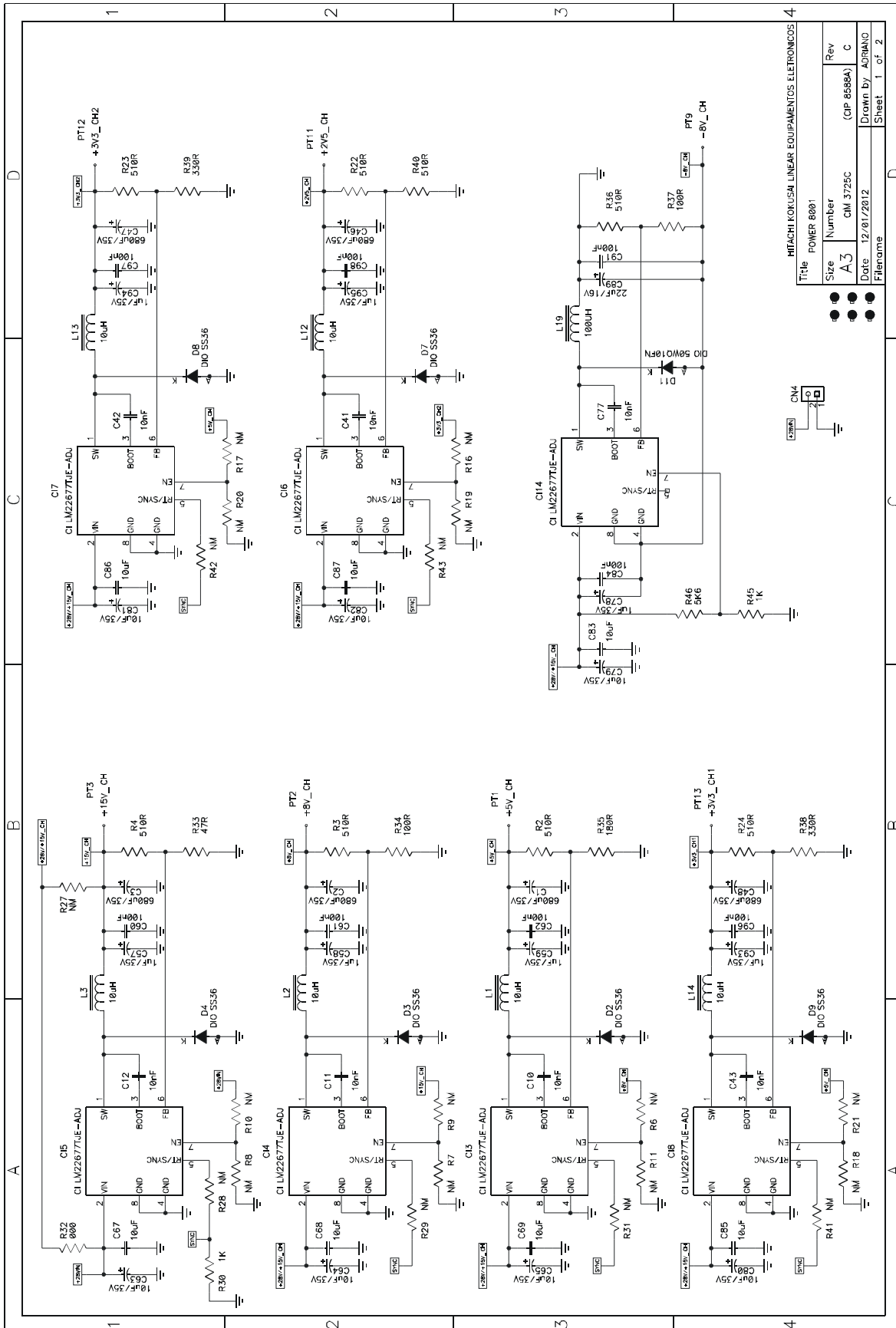
4. Keyboard - Module CIM 3717 (CIP 8581)

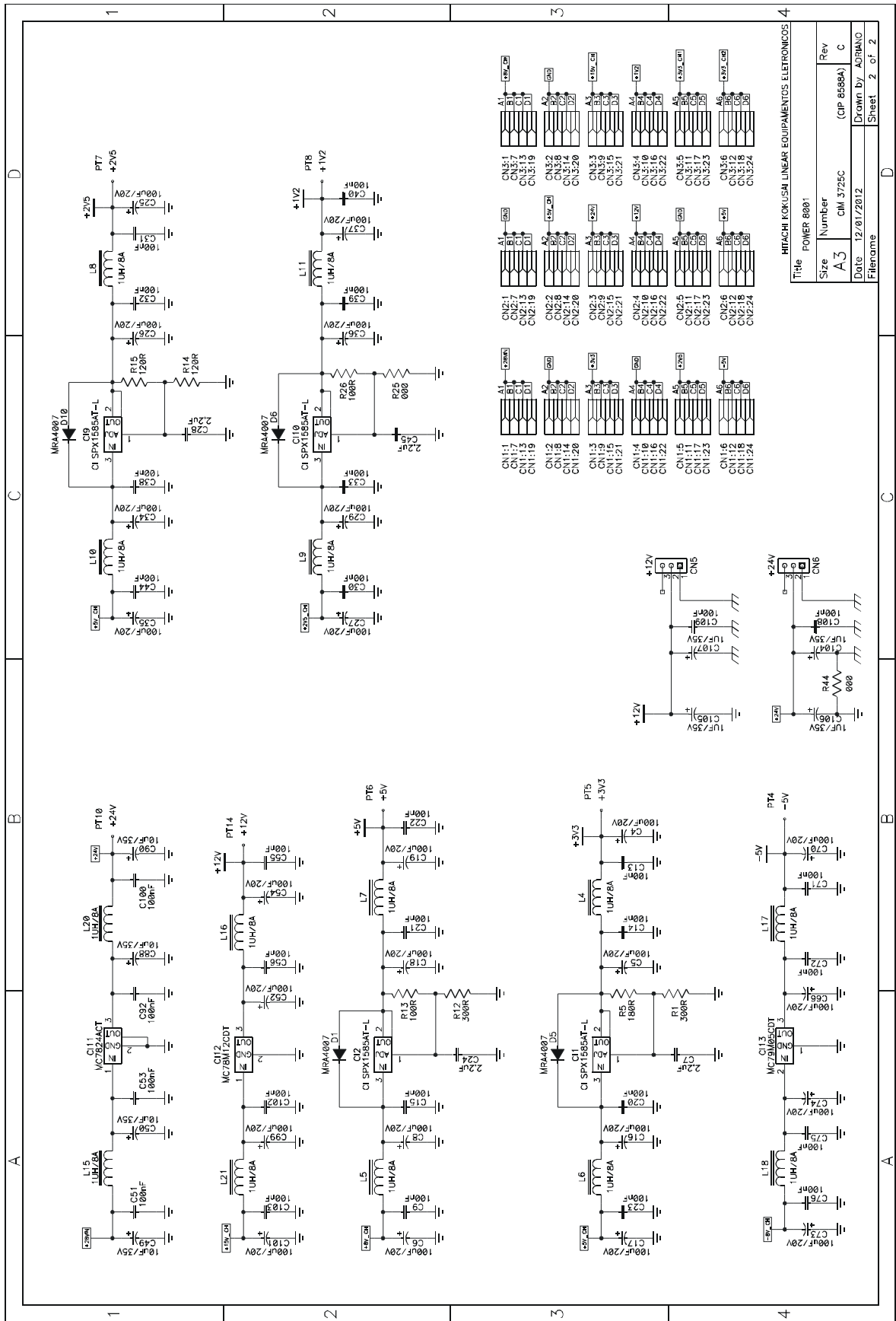


5. USB Interface - Module CIM 3744C (CIP 8607B)



6. Power 8001 - Module CIM 3725C (CIP 8588A)





Title POWER 8001			
Size	Number	Rev	
A3	CIM 3725C	(CIP 8588A)	C
Date	12/01/2012		Drawn by ADMANO
Filename		Sheet 2 of 2	