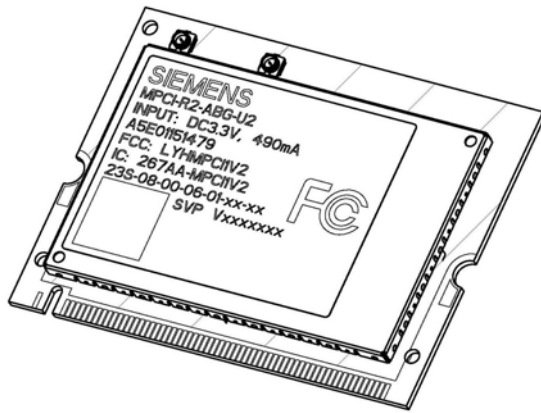
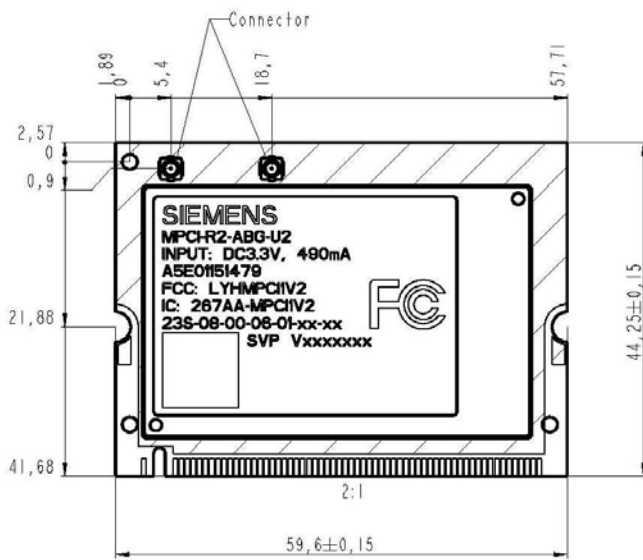


## 5. Appearance

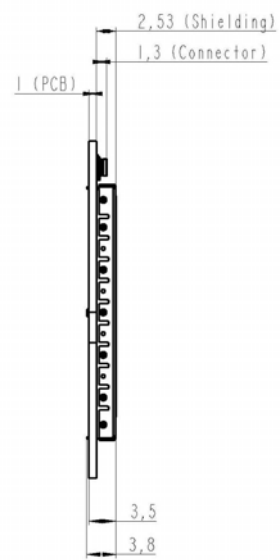
### 3D-View



### Front View



### Side View (left)



### Top View

