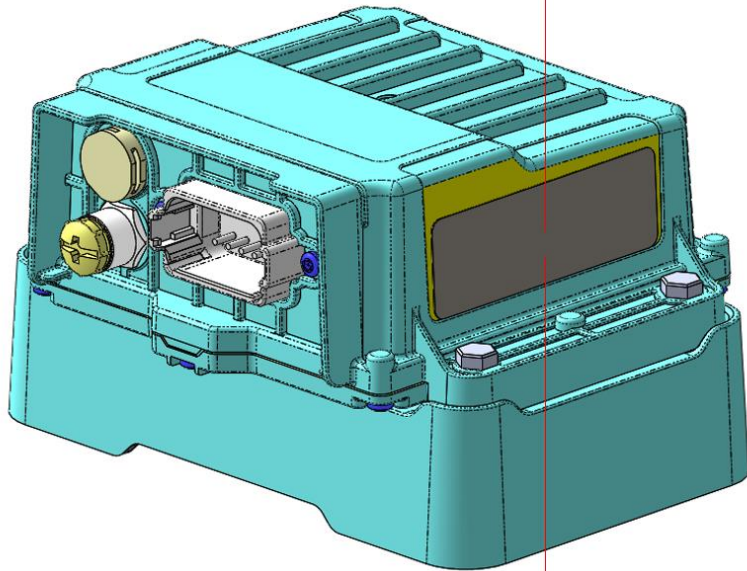


TP2 Product Label Position

Product Label position



Model : PCI-TP2		2D Code
MCN : P23-TP002-200		
SN : XXXXYWnnnnnn	ICG ID : XXXXXXXXXXXXXXXXXXXX	
IMEI : XXXXXXXXXXXXXXXXX	FCC ID : LY5-PCITP2	
Input : DC 12V \approx 0.5A or 24V \approx 0.25A	IC : 5113A-PCITP2	
MADE IN INDONESIA	Class : CAN ICES-3(A)/NMB-3(A)	
	Contains FCC ID : LY5-PCITP200	
	Contains IC : 5113A-PCITP200	

Product label