

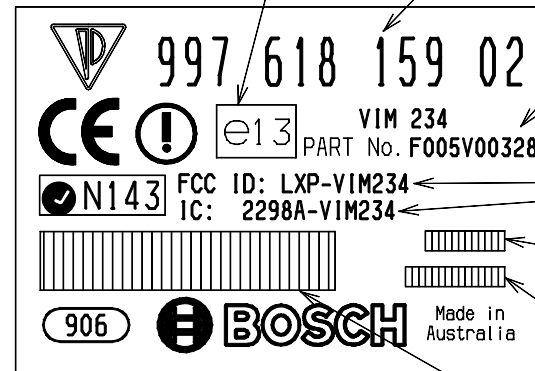
EMC Technologies Report Number: M040113_Cert_Immobilizer

APPENDIX F – (Immobilizer) FCC Labelling



THIS DRAWING IS OUR EXCLUSIVE PROPERTY. WITHOUT OUR CONSENT THIS DRAWING MUST NOT BE REPRODUCED OR USED ELSEWHERE. WE RESERVE ALL RIGHTS ALSO IN THE CASE OF A PATENT OR REGISTERED DESIGN BEING GRANTED.

ARTWORK:
REFER CUSTOMER CAD DATA



HOMOLOGATION NUMBER (f)

CUSTOMER PART NUMBER (b)

BOSCH PART NUMBER (c)

RF/EMC MARK (g) X

DATE OF MANUFACTURE (dd.mm.yy) (d)

Serial Number (d)

PORSCHE PART NUMBER ACCORDING TO CODE 39 (b) (a)

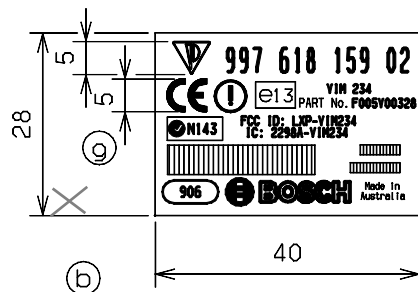
ISO TOLERANCES		
NOMINAL SIZE	ISO-SYMBOL	DEVIATION
OVER TO		
.	.	.
.	.	.
.	.	.

F005 V1 3007					
SURFACE ROUGHNESS					
:N12A D53, DIN ISO 1302					
EDGES :N12A B42, DIN 6784					
METRIC ISO	WITHOUT SURF. TREATM.	WITH SURF. TREATM.			
EXT. THREAD	.	.			
INT. THREAD	.	.			
NON-TOLERANCED DIMENSIONS					
0.5	> 3	> 6	> 30	> 120	> 400
...3	...6	...30	...120	...400	...1000
± 0.1	± 0.1	± 0.2	± 0.3	± 0.5	± 0.8
RADIUS, CHAMFERS					
± 0.2	± 0.5	± 1	± 1	± 1	±
ANGLES, DIMENSION OF SHORTEST ADJACENT SIDE					
TO 10	> 10	> 50	> 120	> 400	
...50	...120	...400			
± 1°	± 30'	± 20'	± 10'	± 5'	
TOLERANCES OF FORM AND POSITION					
N13 B92/1, DIN ISO 2768-H					

NOTES:

- LABEL TO CONFORM WITH BOSCH SPECIFICATION Y 980 06P 214 PRINTING COLOUR: BLACK
- LETTERING WITH EXCEPTION OF TRADE MARKS -ARIAL BOLD

SCALE 1:1



MISSING DETAILS :				SURF. TREATMENT		ISO E		SCALE OR AS SHOWN		WEIGHT	
FIRST USED ON : F005V00328								MADE FROM:			
PARTS LIST SEE SEPARATE SHEET								USE BLANK PART No. F005S10171			
q/4	V 001 946	BK	20/04/04	VM	VOLUME	DATE	NAME	DESCRIPTION EZS LABEL			
f/1	V 001 813	BK	18/02/04	VM		DRAWN	SF				
e/1	V 001 813	BK	04/02/04	SS	CHK.	SM	31/3/03				
d/3	V 001 770	AC	08/12/03	SS	APPR.	JM	31/3/03				
c/2	V 001 739	AC	03/12/03	SS	DIN	ORIGINAL: RBAU-TEF23					
b/4	V 001 692	BK	04/11/03	SS		A3	ROBERT BOSCH (AUSTRALIA) PTY. LTD. A.C.N. 004 315 628				
a/1	V 001 574	BK	29/8/03	SS	Cat 1a				No. F005 V1 3007008		Rev. 1 OF 1
RELEASED FOR PRODUCTION		JH	1/5/03	SS							
INDEX	ALTERATION NUMBER		BY	VALID FROM	CHK	SUPERSEDED No:		VALID FROM:			

© THIS DRAWING IS OUR EXCLUSIVE PROPERTY. WITHOUT OUR CONSENT THIS DRAWING MUST NOT BE REPRODUCED OR USED ELSEWHERE. WE RESERVE ALL RIGHTS ALSO IN THE CASE OF A PATENT OR REGISTERED DESIGN BEING GRANTED.

ROUGHNESS: N12A D53, DIN ISO 1302

CORNERS: N12A B42, DIN 6784

LIMITS UNLESS OTHERWISE STATED

>0.2 ...0.5	>0.5 ...3	>3 ...6	>6 ...30	>30 ...120	>120
±0.1	±0.1	±0.1	±0.2	±0.3	±0.5

F005 S1 0171

NOT DEBURRED

COMPLETELY
DEBURRED

CORNERS
REMOVED



RADII AND CHAMFERS

±0.1	±0.2	±0.5	±1	±2	±4
------	------	------	----	----	----

ISO - TOLERANCES

NOM. SIZE OVER	TO	ISO SYMBOL	DEVIATION
-------------------	----	---------------	-----------

METRIC ISO

WITHOUT
SURF. TREATM.

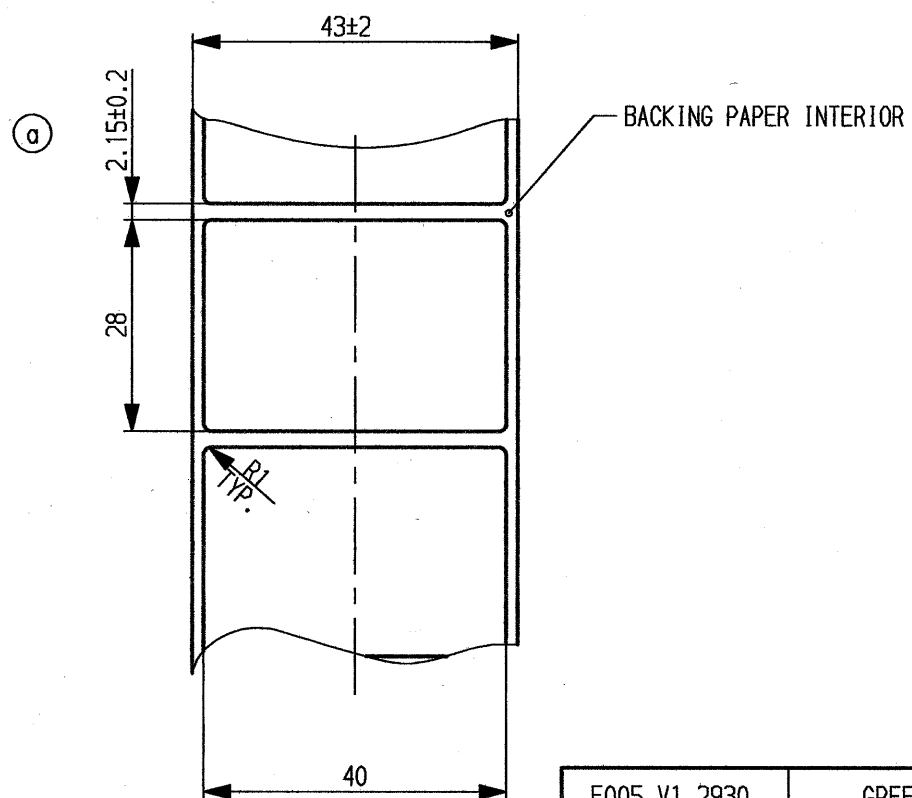
WITH
SURF. TREATM.

DIMENSION OF SHORTEST
ADJACENT SIDE

...10	>10 ...50	>50 ...120	>120 ...400	>400
±1°	±30'	±20'	±10'	±5'

ALL DIMENSIONS ARE IN MILLIMETRES

POSITIONAL TOLERANCE: N13 B92/1, DIN 7168



F005 V1 2930	GREEN
F005 V1 2931	BLUE
F005 V1 2932	PURPLE
F005 V1 2933	ORANGE
F005 V1 2363	YELLOW
F005 S1 0171	WHITE
LABEL No.	COLOUR

ISO E



NOTE:
LABEL TO BE TESTED ACC. TO Y 980 06P 214

MISSING DIMS.

FIRST USED ON F005 S1 0147
(F005 S0 0011)

PARTS LIST SEE SEPARATE SHEET F005S10171_d.002.med

SURF. TREATM.

SCALE 1:1

PROJECT Dir

MADE FROM LABELS ON ROLL
SIGNET DB17 POLYPROPYLENE FILM, 0.080mm
GLASSINE PAPER LINER

c/1	V 001244	TS	18.12.02	SS	
b/2	V 000 692	J.H.	21.09.01	J.H.	
a/1	S UR 0115	S.S.	06.05.97	M.KA	
	S UR 0054	RE-DRAWN			
INDEX	ALTERATION No.	BY	VALID FROM	CHK.	

DRAWN 10.02.97 S.S.
CHK.
APPR. 10.02.97 M.KA
ORIGINAL: RBAU/TEF23
**ROBERT BOSCH
(AUSTRALIA)
PTY. LTD.**
A.C.N. 004 315 628

DESCRIPTION
LABEL BLANK
No. **F005 S1 0171**
SUPERSEDED No. - VALID FROM -

ORIG. DIN A4V
CAD
SHT 1 OF 1

