


MOTOROLA

May 12, 1999

 Federal Communications Commission
 Authorization and Evaluation Division
 7435 Oakland Mills Road
 Columbia, Maryland 21046

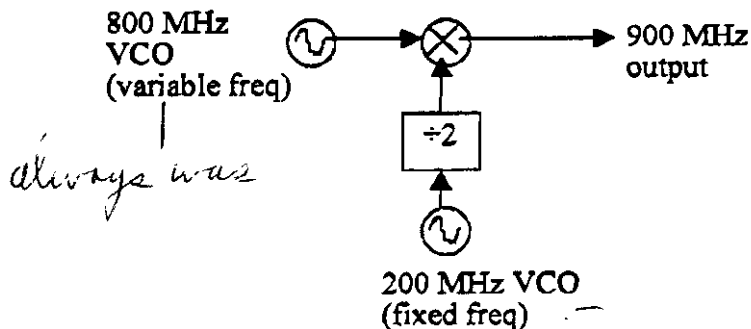
Attention: Mr. Errol Chang

RE: Pending modification to FCC ID LX698FC4007

Per our conference call dated, May 12, 1999; concerning the file LX698FC4007.

We are requesting you to reconsider the dismissal of our application for the permissive change for the following reasons.

The subject Transmitter consists of two VCO's as shown in the block diagram below.



The basic frequency determining VCO was not changed. The 200 MHz VCO originally used was made obsolete by the vendor, thereby requiring a new VCO. A new VCO with similar performance specification was chosen to replace the obsolete part. Note that all other circuitry, such as the frequency determining VCO, both synthesizers, mixer, and divider circuitry were **NOT** changed. Any change in the frequency of the subject transmitter is performed by changing the frequency of the 800 MHz VCO, and **this has not changed** from the original design. A

Please contact me at (817)-245-2610 or at fax number (817)-245-2613 or at Email at cmic50@emial.mot.com if you have any questions regarding this request. 11

Sincerely,

 Ali Sajanal
 Lead Electrical Engineer
 Paging System Group

Bette DO
E H #