

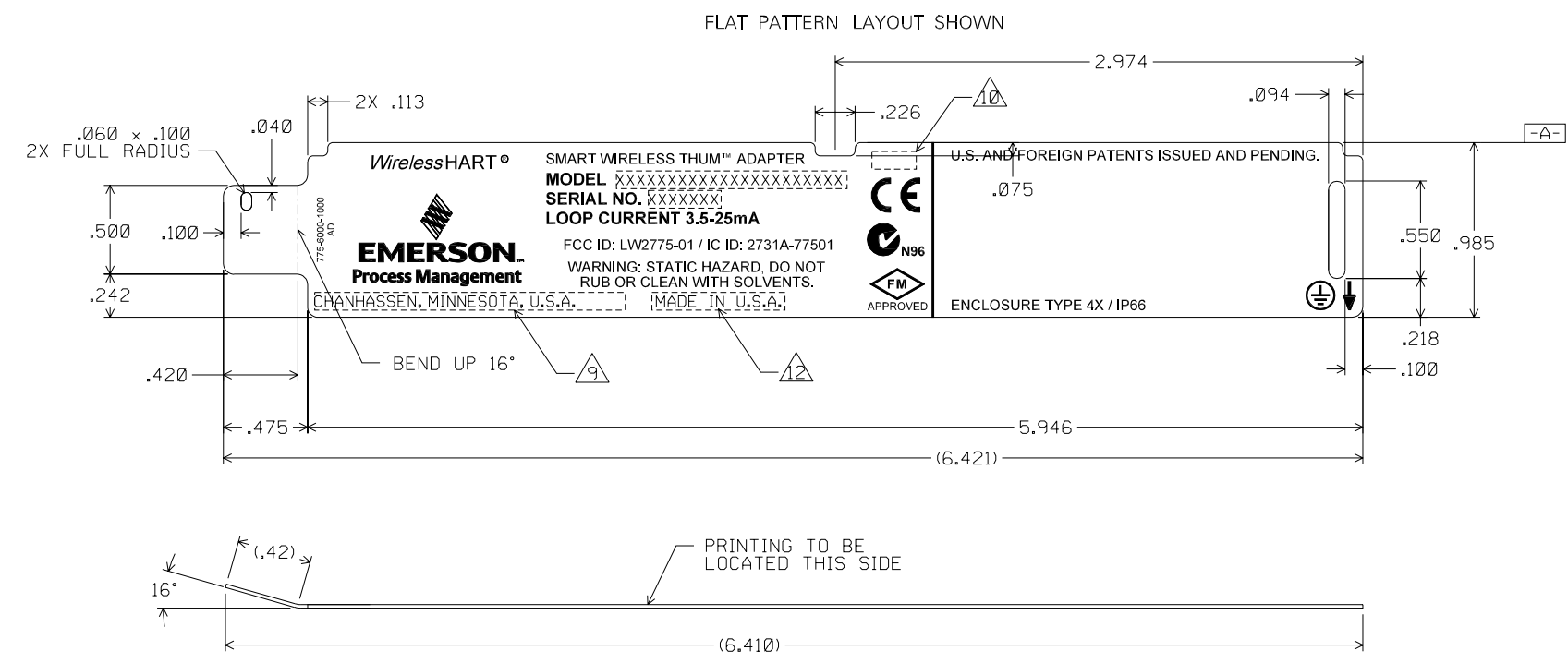
CODE	MANUFACTURING SITE
1	UNIVERSAL
5	ROSEMOUNT CHINA
9	BLANK

CODE	AGENCY	Sheet
00	NONE	2
01	FM	2
02	CSA	2
03	ATEX	2
06	IECEX	2
07	TIIS (JAPAN) - HART	---
09	NEPSI (CHINA)	---
10	INMETRO	---
50	CSA / ATEX COMBO	---
51	FM / CSA COMBO	---
52	FM / ATEX COMBO	---
53	ATEX COMBO (KEMA / BASEEFA)	---
54	FM / CSA / ATEX COMBO	---

CODE	TYPE
0	NONE
1	EXPLOSION PROOF / FLAMEPROOF
2	INTRINSIC SAFETY
3	TYPE-N
4	DUST
6	GROUP 1 (MINING) INTRINSIC SAFETY
9	IS / EXP COMBO

REVISIONS					
ZONE	REV	DESCRIPTION	CHG. NO.	APP'D	DATE
	AA	NEW RELEASE	RTC1026727	J.D.V.	8/22/08
	AB	ADD SHEET 2	RTC1027645	J.D.V.	3/13/09
	AC	ADD FCC ID #; ADD CIRCLE TO GND SYMBOL	RTC1028186	J.C.	4/1/09
	AD	CORRECT IC ID#	RTC1028257	J.C.	4/7/09
	AE	CORRECT IC ID#; ADD -1033 & -1063; ADD "SMART WIRELESS THUM ADAPTER" WORDING	RTC1028365	J.D.V.	4/28/09

1 02 1 TYPICAL PART NUMBER



△ THIS AREA DESIGNATED FOR STAMPING THE COUNTRY OF ORIGIN.

△ THIS AREA TO BE USED TO STAMP DATE CODE.

△ THIS AREA DESIGNATED FOR STAMPING MANUFACTURING SITE.

8. ARTWORK TO BE PARALLEL TO DATUM -A- WITHIN .010.
7. ARTWORK ON SHEET 1 IS FOR REFERENCE ONLY.
6. ALL RADII TO BE .06 UNLESS OTHERWISE SPECIFIED.
5. THE REVISION ON THE ARTWORK DOES NOT HAVE TO BE THE SAME REVISION AS THAT ON THE DRAWING.
4. REMOVE ALL BURRS AND SHARP EDGES.
3. THIS DRAWING CONTAINS REPLICAS OF 2:1 ARTWORK FOR THE PURPOSES OF INSPECTION AND IDENTIFICATION. DO NOT USE THIS DRAWING FOR MASTER ARTWORK. 1:1 ARTWORK SUPPLIED BY ROSEMOUNT INC.
2. PROCESS CHEMICALLY ETCHED WITH INFILLED BLACK OR APPROVED LASER ETCH PROCESS PER PS-78.
1. MAT'L: AISI 304 SERIES STAINLESS STEEL .025±.003 THK. ANNEALED, MAX. HARDNESS BRINELL 190, FINISH PER PS-78.

NOTES:

DO NOT SEND THIS MASTER DRAWING TO VENDOR.
1:1 ARTWORK SUPPLIED BY ROSEMOUNT INC.

CONFIDENTIAL AND PROPRIETARY INFORMATION IS CONTAINED HEREIN AND MUST BE HANDLED ACCORDINGLY	UNLESS OTHERWISE SPECIFIED DIMENSIONS IN INCHES [mm]. REMOVE ALL BURRS AND SHARP EDGES. MACHINE SURFACE FINISH 125		CONTRACT NO.		 8200 Market Boulevard • Chanhassen, MN 55317 USA
	-TOLERANCE-		DR. Myles Lee Miller 1/29/08		
	.X ± .1 [2,5]		TITLE		
	.XX ± .02 [0,5]		LABEL, 775 NAMEPLATE/APPROVAL		
	.XXX ± .010 [0,25]				
FRACTIONS ANGLES		SIZE		DRAWING NO.	
± 1/32 ± 2°		D		00775-6000	
DO NOT SCALE PRINT		APP'D GOVT.		SCALE 2:1 WT.	
				SHEET 1 OF 2	

D

C

B

A

REVISIONS					
ZONE	REV	DESCRIPTION	CHG. NO.	APP'D	DATE
	AE				

WirelessHART[®]
EMERSON
 Process Management

SMART WIRELESS THUM[™] ADAPTER
MODEL SERIAL NO. LOOP CURRENT 3.5-25mA
 FCC ID: LW2775-01 / IC ID: 2731A-77501
 WARNING: STATIC HAZARD. DO NOT RUB OR CLEAN WITH SOLVENTS.

U.S. AND FOREIGN PATENTS ISSUED AND PENDING.

CE N96 FM APPROVED

ENCLOSURE TYPE 4X / IP66

0 775-6000-1000 AD
 00775-6000-1000
 6.00
 REV. AD

WirelessHART[®]
EMERSON
 Process Management

SMART WIRELESS THUM[™] ADAPTER
MODEL SERIAL NO. LOOP CURRENT 3.5-25mA
 FCC ID: LW2775-01 / IC ID: 2731A-77501
 WARNING: STATIC HAZARD. DO NOT RUB OR CLEAN WITH SOLVENTS.

U.S. AND FOREIGN PATENTS ISSUED AND PENDING.

CE N96 FM APPROVED

WHEN INSTALLED PER DRAWING 00775-0010.
 IS CL I II DIV 1, GP A,B,C,D,E,F,G
 NI CL I DIV 2, GP A,B,C,D
 IS CL I ZONE 0, AEX Ia II C
 T4 Ta=-50 to 70°C
 ENCLOSURE TYPE 4X / IP66

0 775-6000-1012 AD
 00775-6000-1012
 6.00
 REV. AD

WirelessHART[®]
EMERSON
 Process Management

SMART WIRELESS THUM[™] ADAPTER
MODEL SERIAL NO. LOOP CURRENT 3.5-25mA
 FCC ID: LW2775-01 / IC ID: 2731A-77501
 WARNING: STATIC HAZARD. DO NOT RUB OR CLEAN WITH SOLVENTS.

U.S. AND FOREIGN PATENTS ISSUED AND PENDING.

CE N96 FM APPROVED

WHEN INSTALLED PER DRAWING 00775-0012.
 INT. SAFE FOR USE IN
 CL I, DIV 1, HAZ. LOC.
 TEMP CODE T3C
 SUITABLE FOR USE IN CL I, DIV 2
 ENCLOSURE TYPE 4X / IP66

0 775-6000-1022 AD
 00775-6000-1022
 6.00
 REV. AD

WirelessHART[®]
EMERSON
 Process Management

SMART WIRELESS THUM[™] ADAPTER
MODEL SERIAL NO. LOOP CURRENT 3.5-25mA
 FCC ID: LW2775-01 / IC ID: 2731A-77501
 WARNING: STATIC HAZARD. DO NOT RUB OR CLEAN WITH SOLVENTS.

U.S. AND FOREIGN PATENTS ISSUED AND PENDING.

CE N96 FM APPROVED

Ex Ia IIC T4 (Tamb=-50 to 70°C)
 BaseExIa09ATEX0125X
 IP66

LOOP TERMINAL INPUT LIMITS
 UI=30 Vdc PI=1 W LI=0 H
 II=200 mA CI=0.4F

0 775-6000-1032 AD
 00775-6000-1032
 6.00
 REV. AD

WirelessHART[®]
EMERSON
 Process Management

SMART WIRELESS THUM[™] ADAPTER
MODEL SERIAL NO. LOOP CURRENT 3.5-25mA
 FCC ID: LW2775-01 / IC ID: 2731A-77501

U.S. AND FOREIGN PATENTS ISSUED AND PENDING.

CE N96 FM APPROVED

Ex Ia IIC T4 (-50°C ≤ Tamb ≤ 70°C)
 UI=45 Vdc MAX
 BaseExIa09ATEX0131
 IP66

LOOP TERMINAL INPUT LIMITS
 UI=30 Vdc PI=1 W LI=0 H
 II=200 mA CI=0.4F

0 775-6000-1033 AD
 00775-6000-1033
 6.00
 REV. AA

WirelessHART[®]
EMERSON
 Process Management

SMART WIRELESS THUM[™] ADAPTER
MODEL SERIAL NO. LOOP CURRENT 3.5-25mA
 FCC ID: LW2775-01 / IC ID: 2731A-77501
 WARNING: STATIC HAZARD. DO NOT RUB OR CLEAN WITH SOLVENTS.

U.S. AND FOREIGN PATENTS ISSUED AND PENDING.

CE N96 FM APPROVED

Ex Ia IIC T4 (Tamb=-50 to 70°C)
 IECExBAS09.0050X
 IP66

LOOP TERMINAL INPUT LIMITS
 UI=30 Vdc PI=1 W LI=0 H
 II=200 mA CI=0.4F

0 775-6000-1062 AD
 00775-6000-1062
 6.00
 REV. AD

WirelessHART[®]
EMERSON
 Process Management

SMART WIRELESS THUM[™] ADAPTER
MODEL SERIAL NO. LOOP CURRENT 3.5-25mA
 FCC ID: LW2775-01 / IC ID: 2731A-77501

U.S. AND FOREIGN PATENTS ISSUED AND PENDING.

CE N96 FM APPROVED

Ex Ia IIC T4 (-50°C ≤ Tamb ≤ 70°C)
 UI=45 Vdc MAX
 IECExBAS09.00568
 IP66

0 775-6000-1063 AD
 00775-6000-1063
 6.00
 REV. AA

Rosemount Inc. 8200 Market Boulevard Chanhausen, MN 55317 USA		CAD MAINTAINED (MicroStation)	
SIZE	D	FSCM NO.	
DRAWING NO.	00775-6000		
DR. Myles Lee Miller	18/38/08	SCALE	2:1
ISSUE		WT.	
		SHEET	2 OF 2

Electronic Master - PRINTED COPIES ARE UNCONTROLLED - Rosemount Proprietary