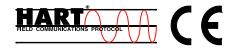


# Rosemount Wireless HART Network Transmitter

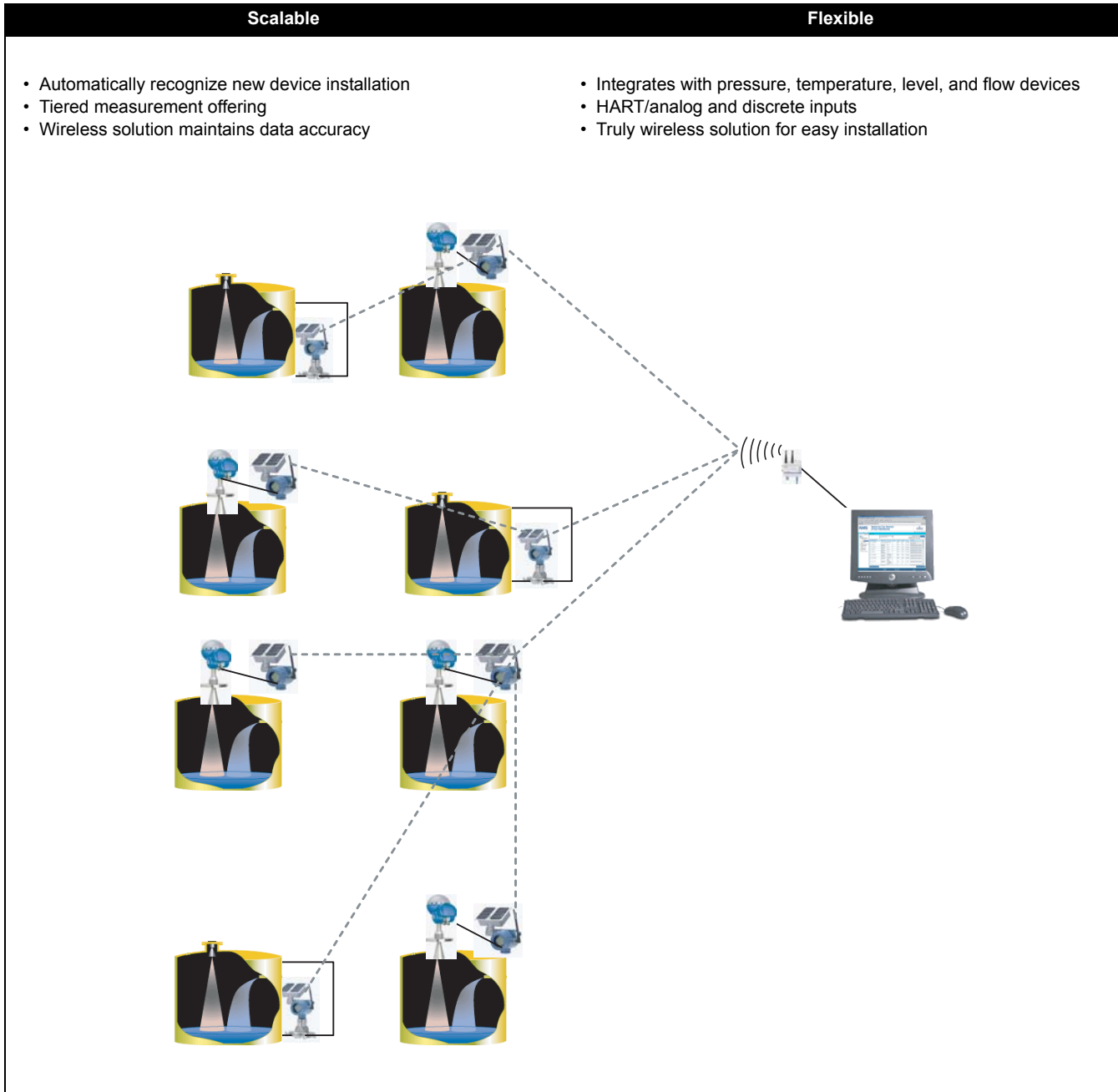
- *Truly wireless transmitter for monitoring applications*
- *Improved asset management with advanced HART diagnostics*
- *Mitigate need for wireless surveys with Self Organizing Network technology*
- *Integrate data into DCS/PC/AMS host systems*



## Content

Specifications .....	page 4
Product Certifications .....	page 5
Dimensional Drawings.....	page 6
Configuration Data Sheet .....	page 8

## Scalable and Flexible Device Networks



## Selection Guide

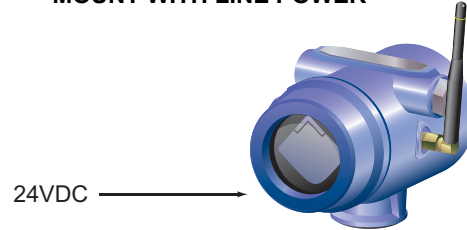
### ORDERING OPTIONS

#### Remote Mount

**REMOTE MOUNT WITH REMOTE  
POWER SUPPLY**



**ENERGY EFFICIENT REMOTE  
MOUNT WITH LINE POWER**

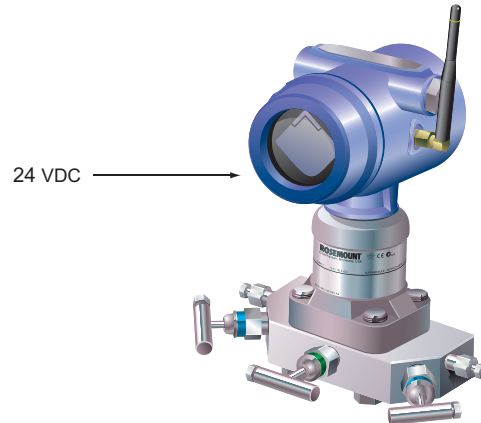


#### Wireless Housing with Integrated Pressure Transmitter

**INTEGRATED PRESSURE TRANSMITTER AND  
REMOTE POWER SUPPLY**



**ENERGY EFFICIENT INTEGRATED  
PRESSURE TRANSMITTER**



# Specifications

## PERFORMANCE SPECIFICATIONS

### Vibration Effect

Less than +/- 0.1% of URL when tested per the requirements of IEC 60770-1 field or pipeline with high vibration level (10-60 Hz 0.211mm displacement peak amplitude / 60-2000 Hz 3g).

Housing style codes 1J, 1K, 1L, 2J

Less than +/- 0.1% of URL when tested per the requirements of IEC60770-1 field with general application or pipeline with low vibration level (10-60 Hz 0.15mm displacement peak amplitude / 60-500 Hz 2g).

### Electromagnetic Compatibility (EMC)

Meets all relevant requirements of IEC/EN 61326 and NAMUR NE-21.

## FUNCTIONAL SPECIFICATIONS

### Power Supply

*External power supply:*

- Rosemount Remote Power Supply with solar panel and battery  
 $P_{max} = 1.5W$   
 Amp = 1.2  
 Voltage at  $P_{max} = 16.5V$
- 6 to 28 Vdc with no load

### Temperature Limits

*Ambient*

-4 to 140 °F (-20 to 60 °C)

*Storage*

-40 to 185 °F (-40 to 85 °C)

### Humidity Limits

0-100% relative humidity

### Turn-On Time

Performance within specifications less than 2.0 seconds after power is applied to the transmitter or as determined by the measurement transmitter (whichever is greater).

### Vibration

Suitable for 60-2000 Hz 2g as specified in IEC 60770-1

### Power Management

Update intervals from once per minute to once per hour.

## PHYSICAL SPECIFICATIONS

### Electrical Connections

½ - 14 NPT conduit.

### Paint

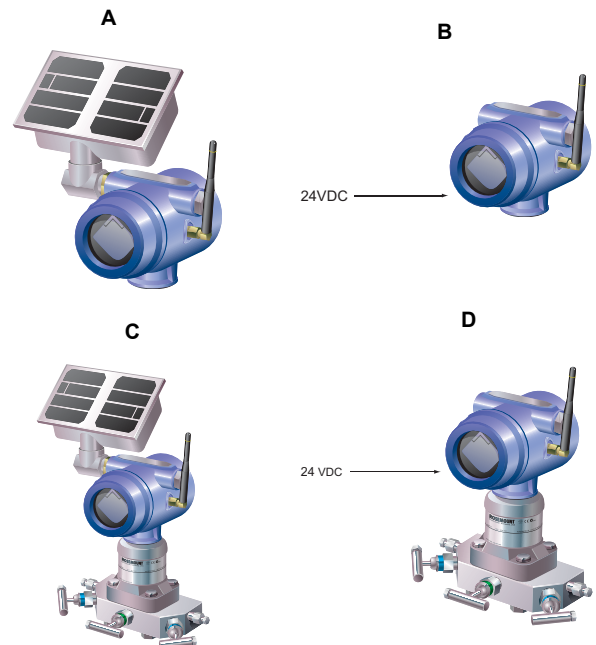
Polyurethane

### Cover O-rings

Buna-N

### Assembly Configurations

- |   |                                                                               |
|---|-------------------------------------------------------------------------------|
| A | Remote mount with remote power supply                                         |
| B | Remote mount                                                                  |
| C | Wireless housing with integrated pressure transmitter and remote power supply |
| D | Wireless housing with integrated pressure transmitter                         |



## Product Certifications

### Approved Manufacturing Locations

Rosemount Inc. — Chanhassen, Minnesota USA

### FCC Compliance

This product is in compliance with FCC regulations.

FCC ID: LW2753S

IC ID: 2731-753S

This device complies with Part 15 of the FCC Rules. Operation is subject to the following conditions:

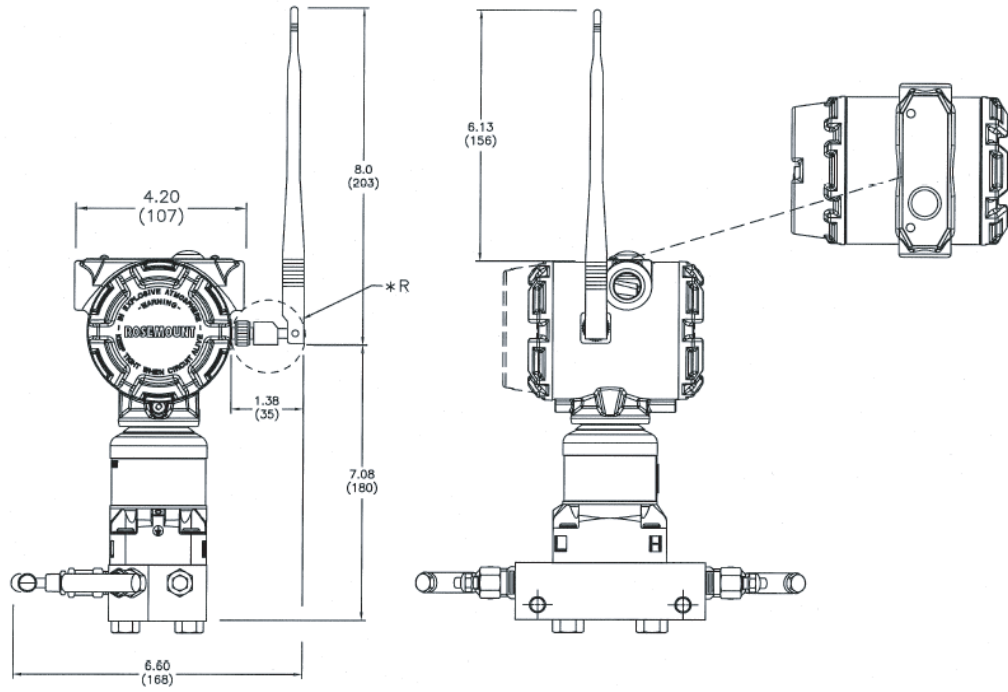
- this device may not cause harmful interference, and
- this device must accept any interference received, including interference that may cause undesired operation



Changes or modifications not expressly approved by Rosemount, Inc. could void your authority to operate the equipment.

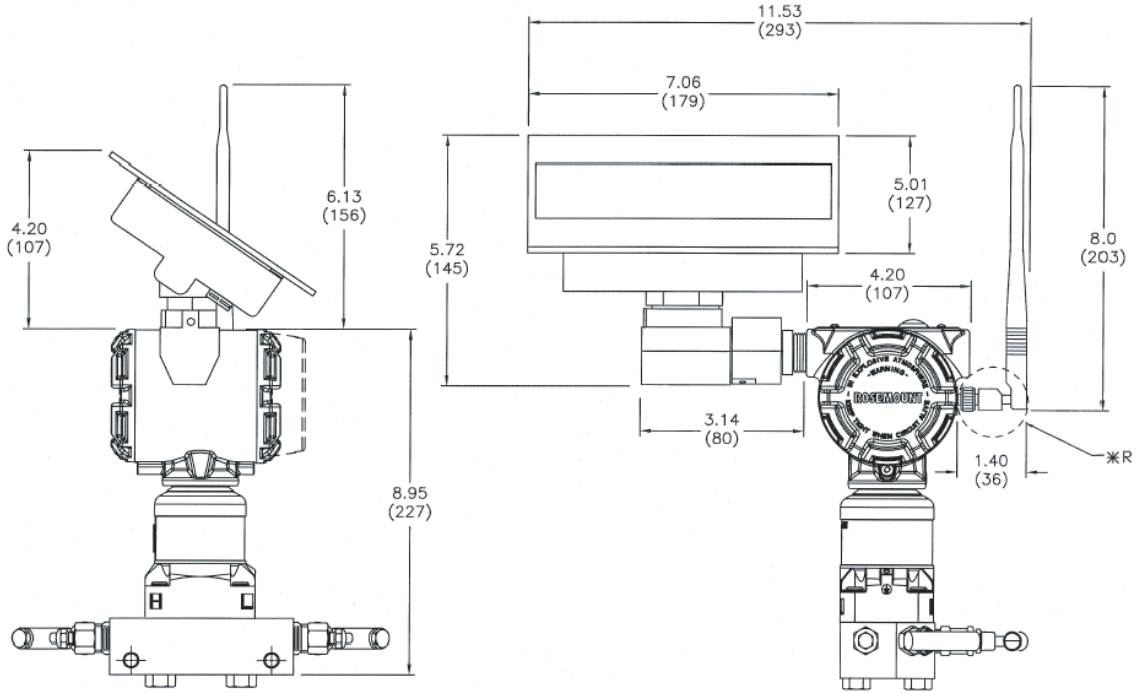
## Dimensional Drawings

### Transmission Antenna



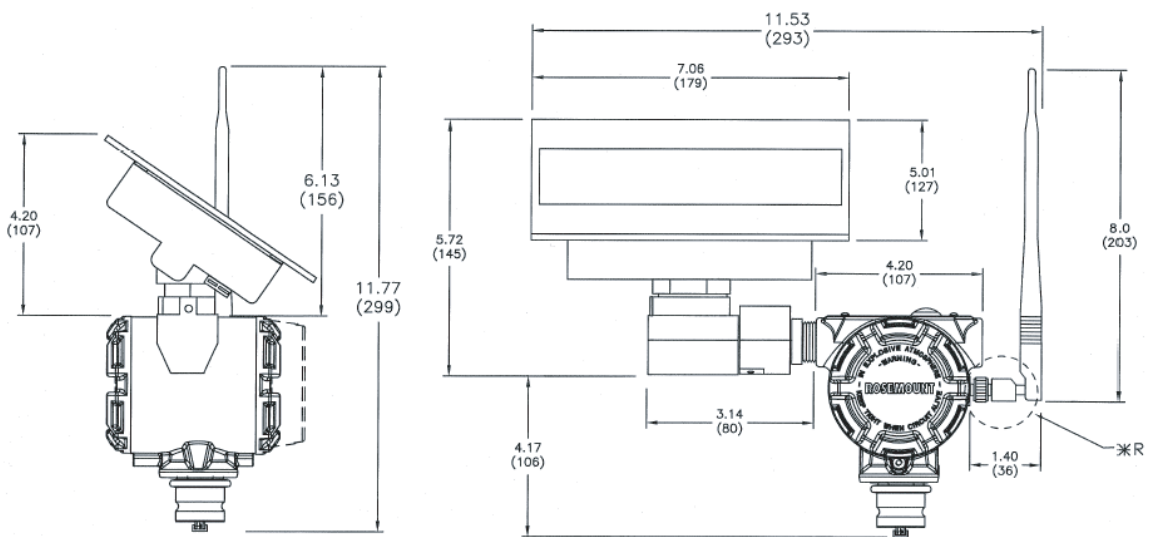
\* R - SMA CONNECTOR

**Assembly**



\* R - SMA CONNECTOR

**Remote Power Supply**



\* R - SMA CONNECTOR

# Configuration Data Sheet

## Configuration Data Sheet

Customer: \_\_\_\_\_ P.O. No.: \_\_\_\_\_

Model No.: \_\_\_\_\_ Line Item: \_\_\_\_\_

## Input Output Information

Type of Measurement Variable Input:  HART (multi-drop mode)  
 1

## 753R / iTraX Information

Device Tag Name: \_\_\_\_\_  
(20 characters maximum)

Measurement Variables to Transmit:  PV  
 SV  
 TV  
 QV

Read/Transmit Interval:  Read and transmit once per minute  
 Read and transmit once every 5 minutes  
 Read and transmit once every 15 minutes  
 Read and transmit once every 30 minutes  
 Read and transmit once per hour

Event Expiration Time: \_\_\_\_\_ minutes (default 30 minutes)

Device Startup Time: \_\_\_\_\_ seconds (default 2 seconds)

Power Mode:  Power Save  
 Always On

## Button Configuration

Mode:  Enable  
 Disable

## Application Information (If Applicable)

Location (city, state, country): \_\_\_\_\_

Process Material Name: \_\_\_\_\_

Material Phase:  Liquid  
 Gas  
 Solid  
 Steam

Expected Date of Installation: \_\_\_\_\_





*Rosemount and the Rosemount logotype are registered trademarks of Rosemount Inc.  
PlantWeb is a registered trademark of one of the Emerson Process Management group of companies.  
All other marks are the property of their respective owners.*

**Emerson Process Management**

**Rosemount Division**  
8200 Market Boulevard  
Chanhassen, MN 55317 USA  
T (U.S.) 1-800-999-9307  
T (International) (952) 906-8888  
F (952) 949-7001

**Rosemount Temperature GmbH**  
Frankenstrasse 21  
63791 Karlstein  
Germany  
T 49 (6188) 992 0  
F 49 (6188) 992 112

**Emerson Process Management Asia  
Pacific Private Limited**  
1 Pandan Crescent  
Singapore 128461  
T (65) 6777 8211  
F (65) 6777 0947  
AP.RMT-Specialist@emersonprocess.com

[www.rosemount.com](http://www.rosemount.com)

