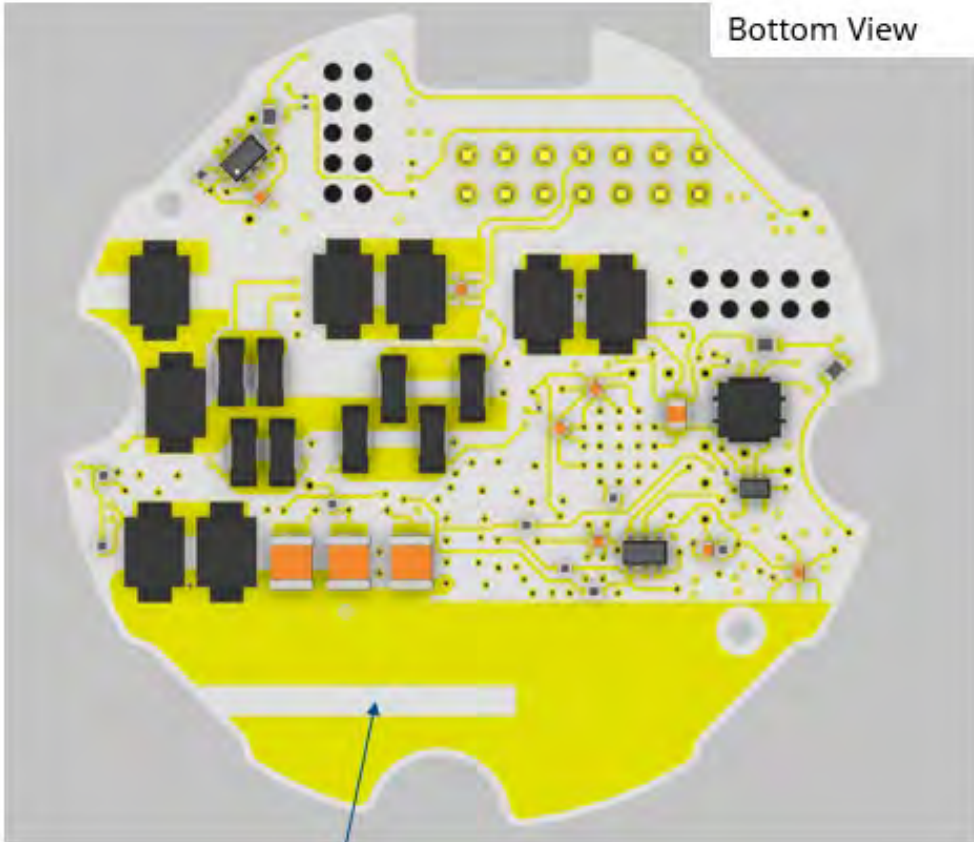
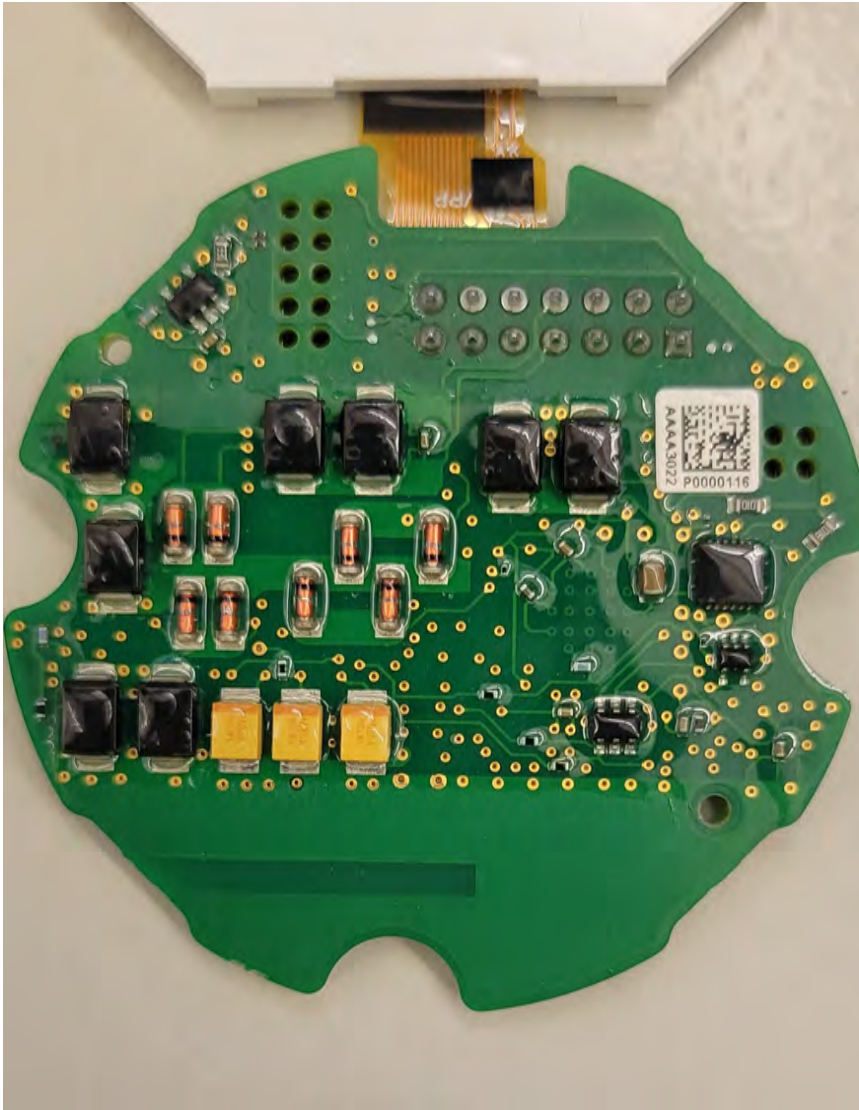
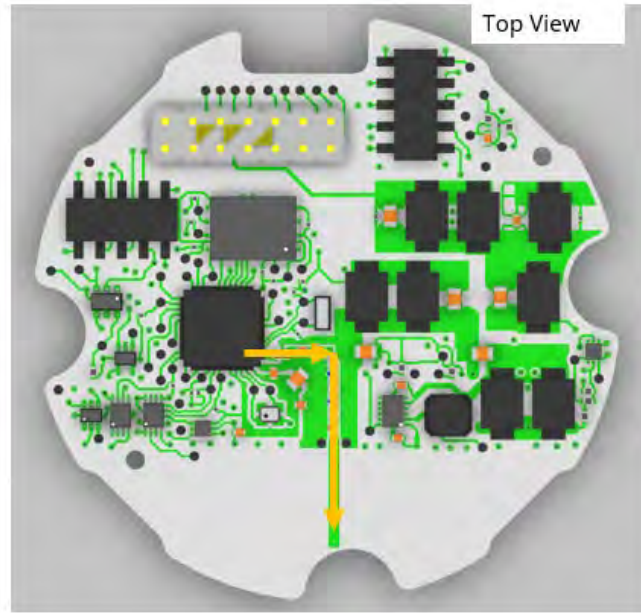


# 3051CF

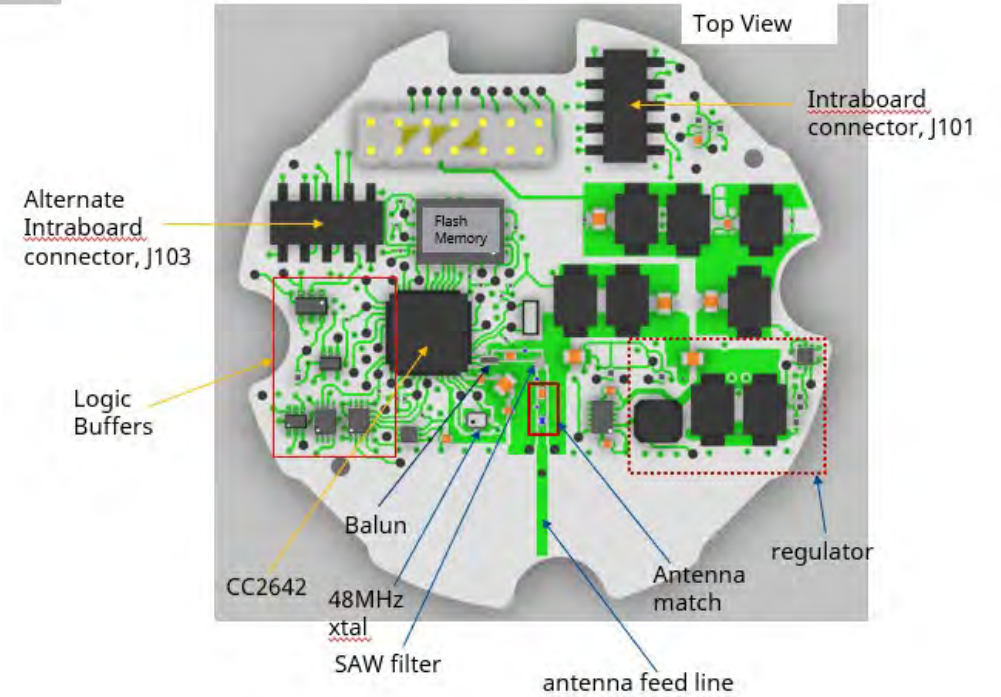


PCB slot antenna cutout

# 3051CF

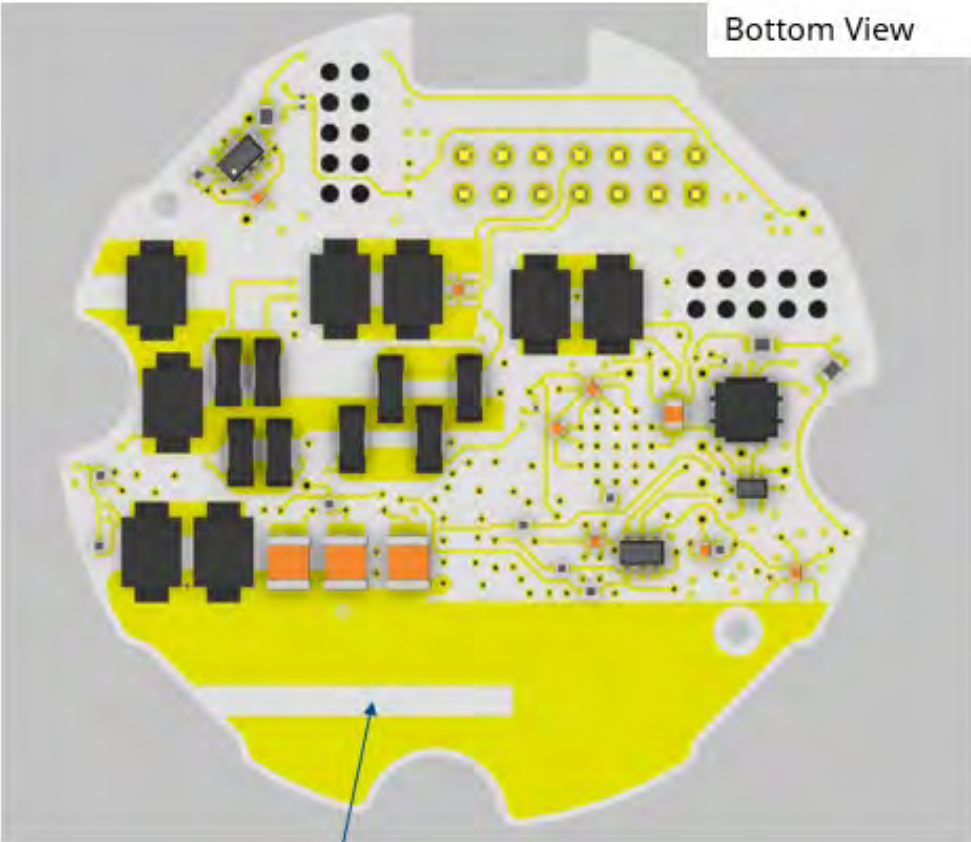
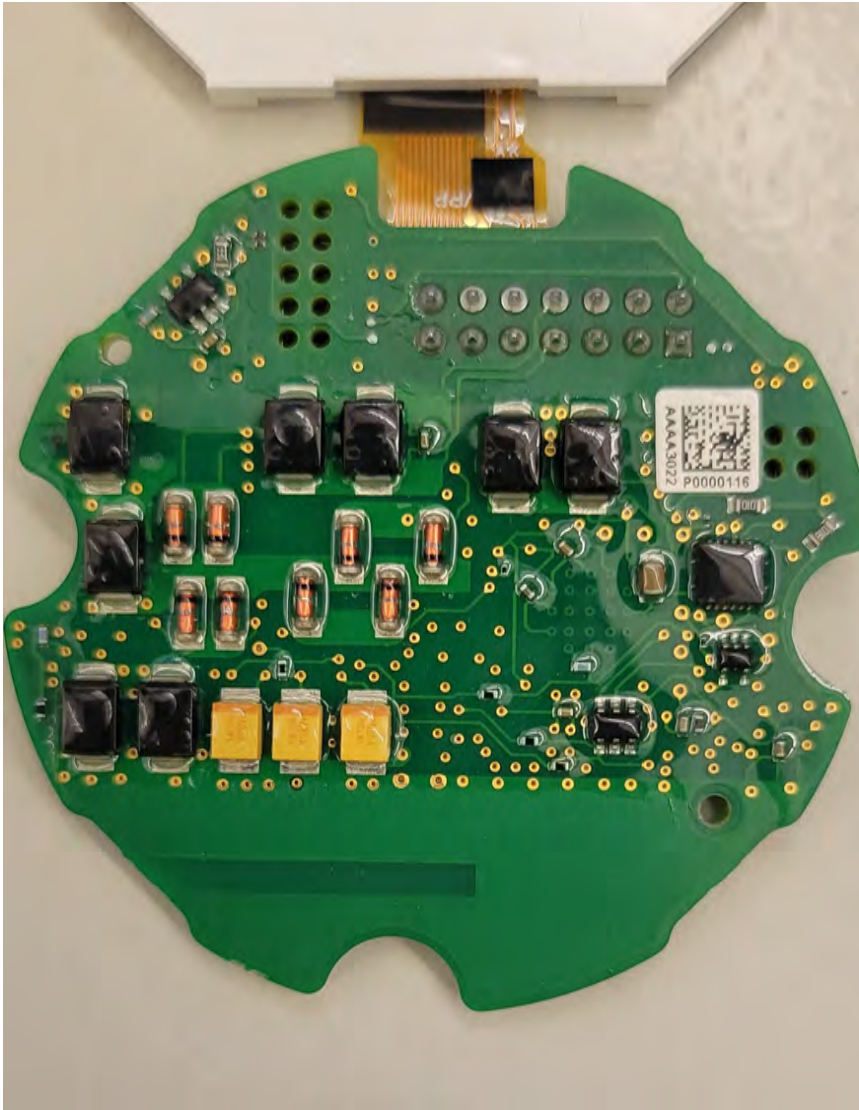


Transmit RF path shown with orange arrows.





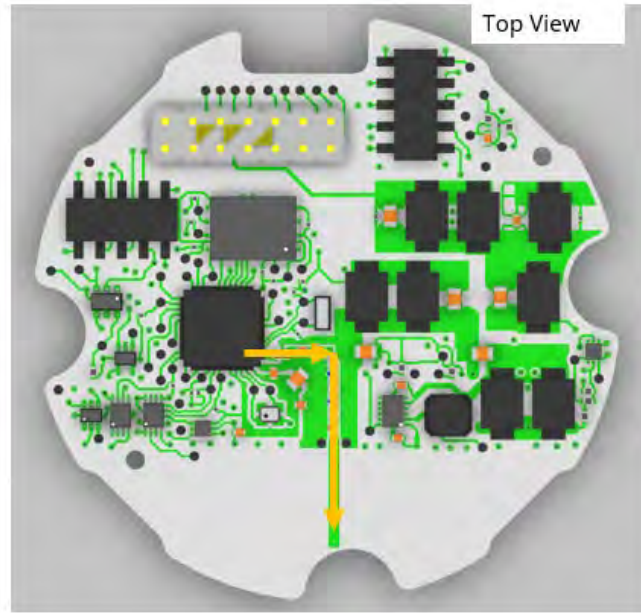
# 3051HT



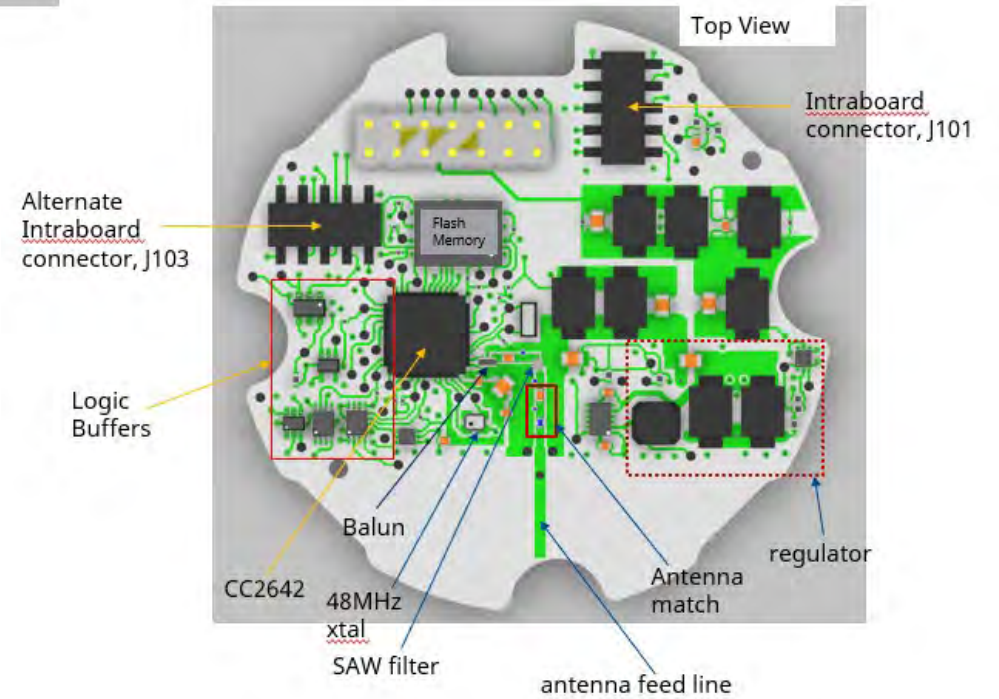
Bottom View

PCB slot antenna cutout

# 3051HT

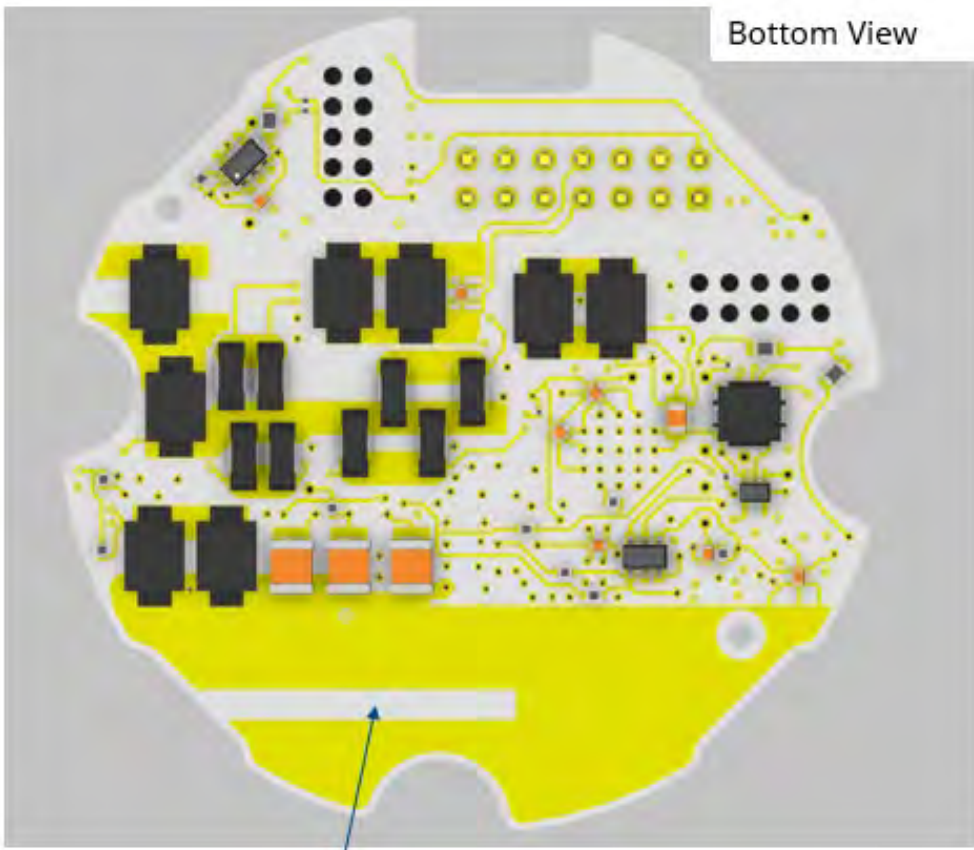
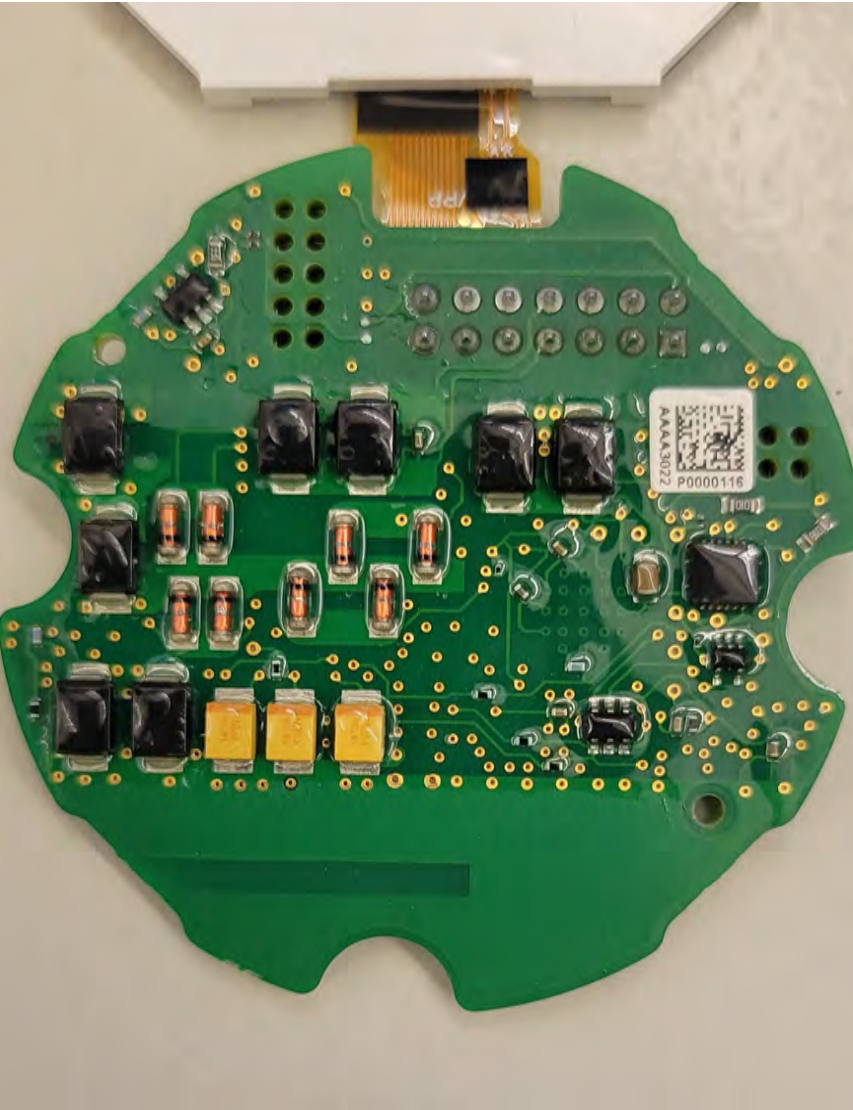


Transmit RF path shown with orange arrows.





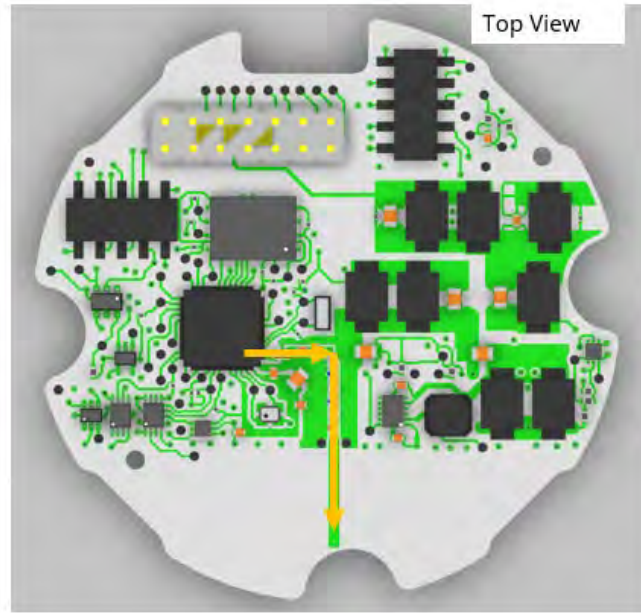
3051L



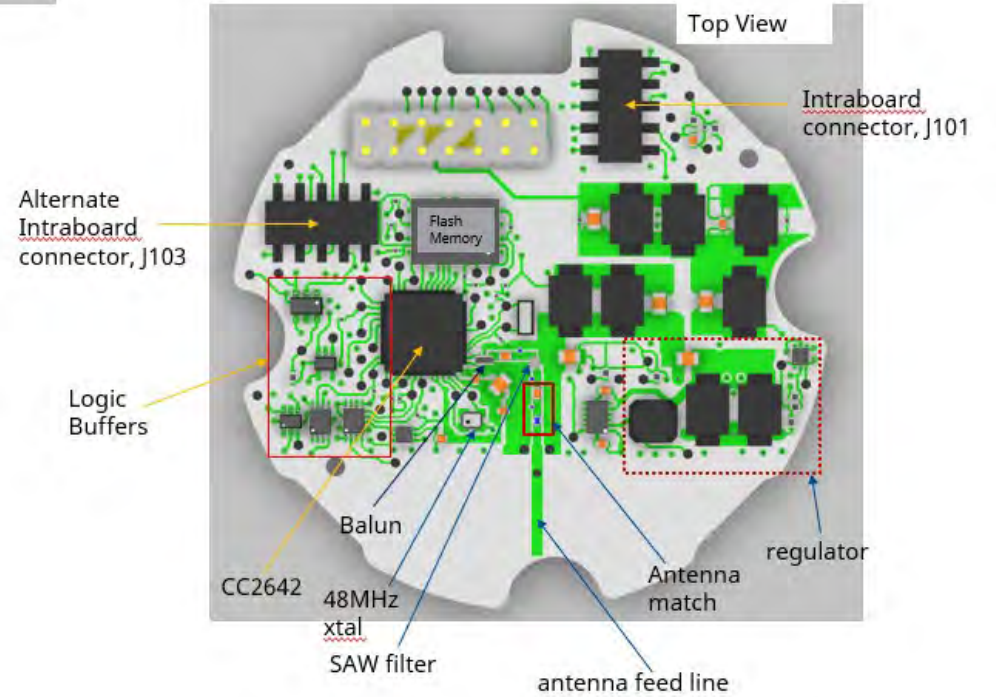
Bottom View

PCB slot antenna cutout

# 3051L

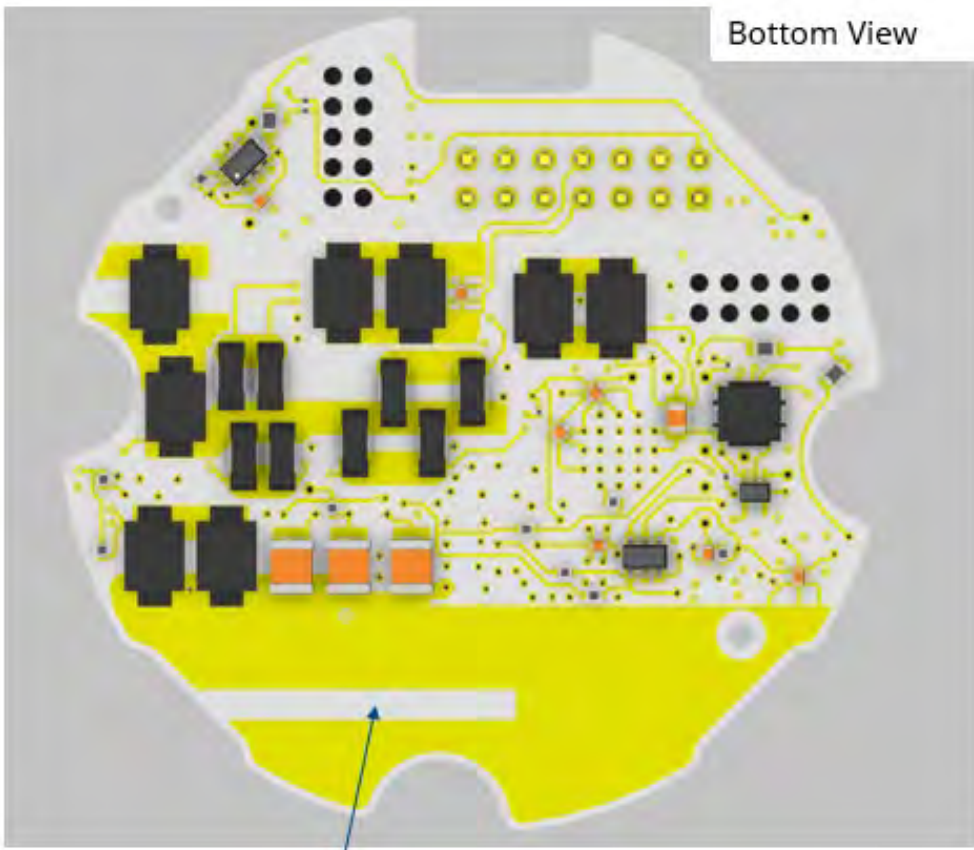
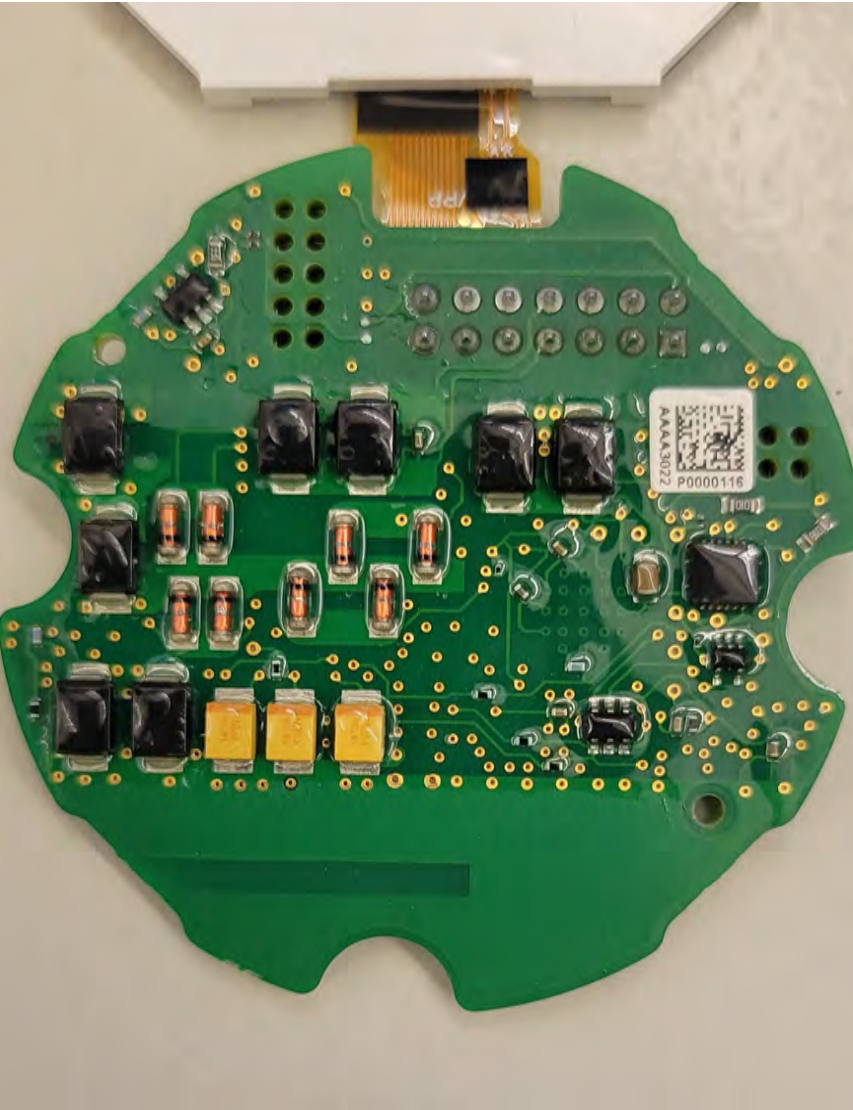


Transmit RF path shown with orange arrows.





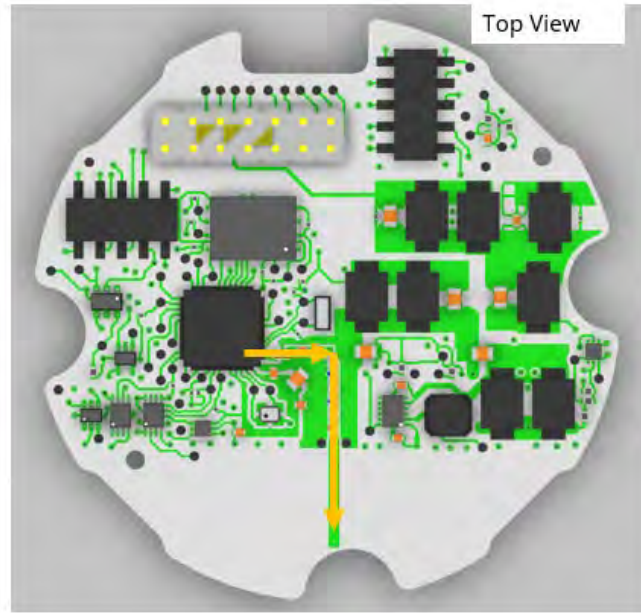
# 3051T



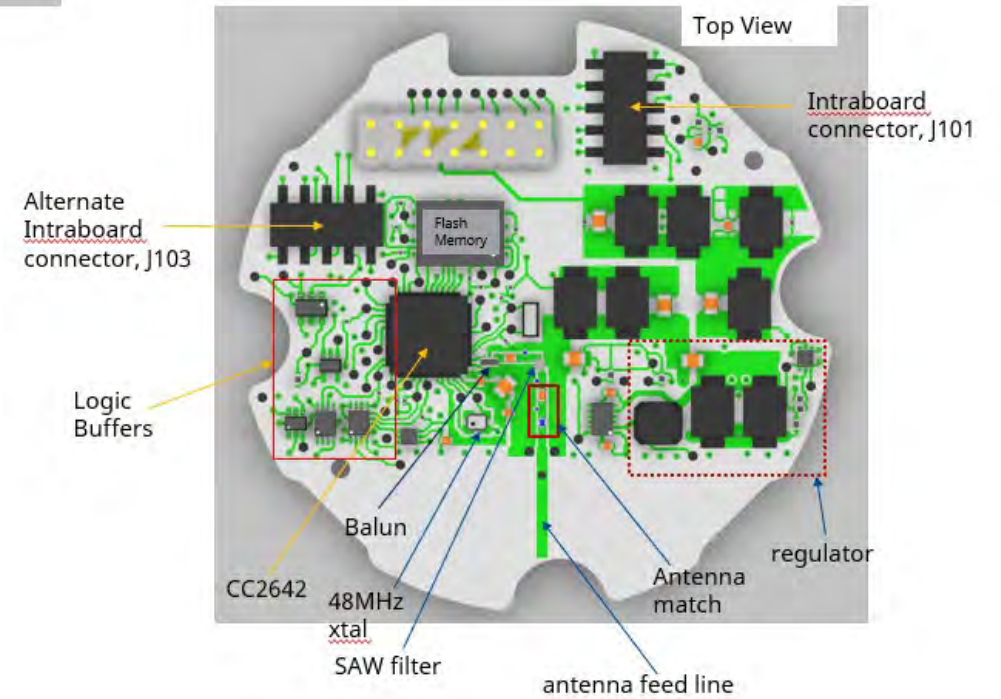
Bottom View

PCB slot antenna cutout

# 3051T

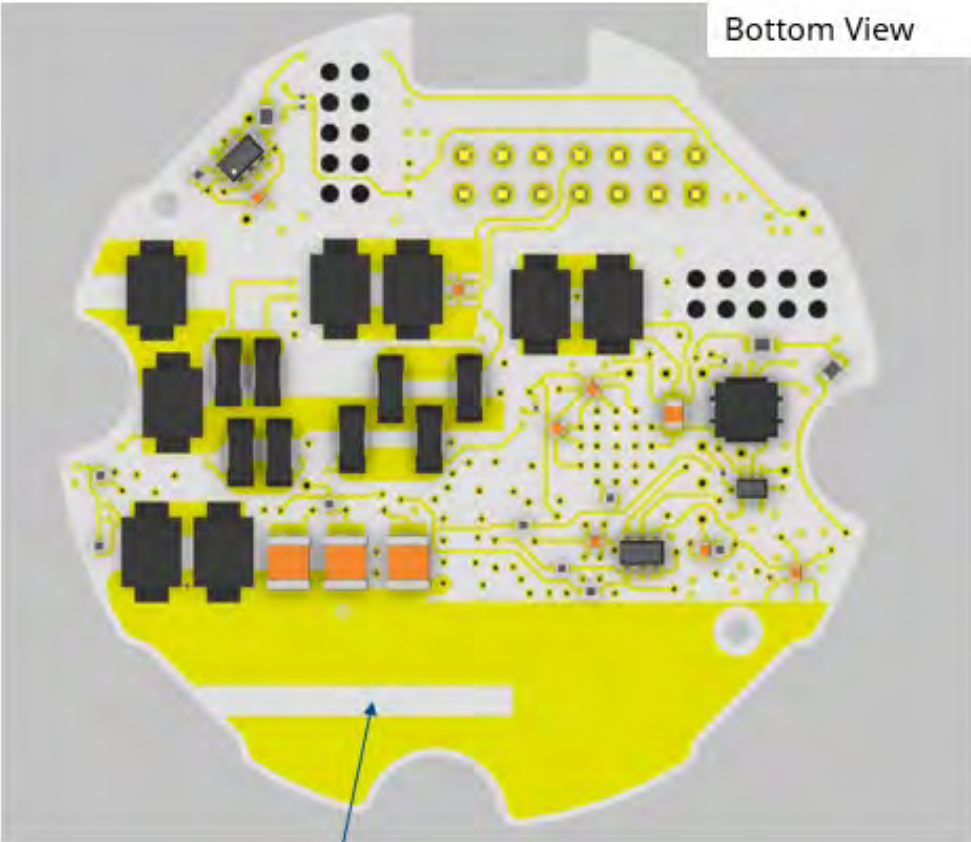
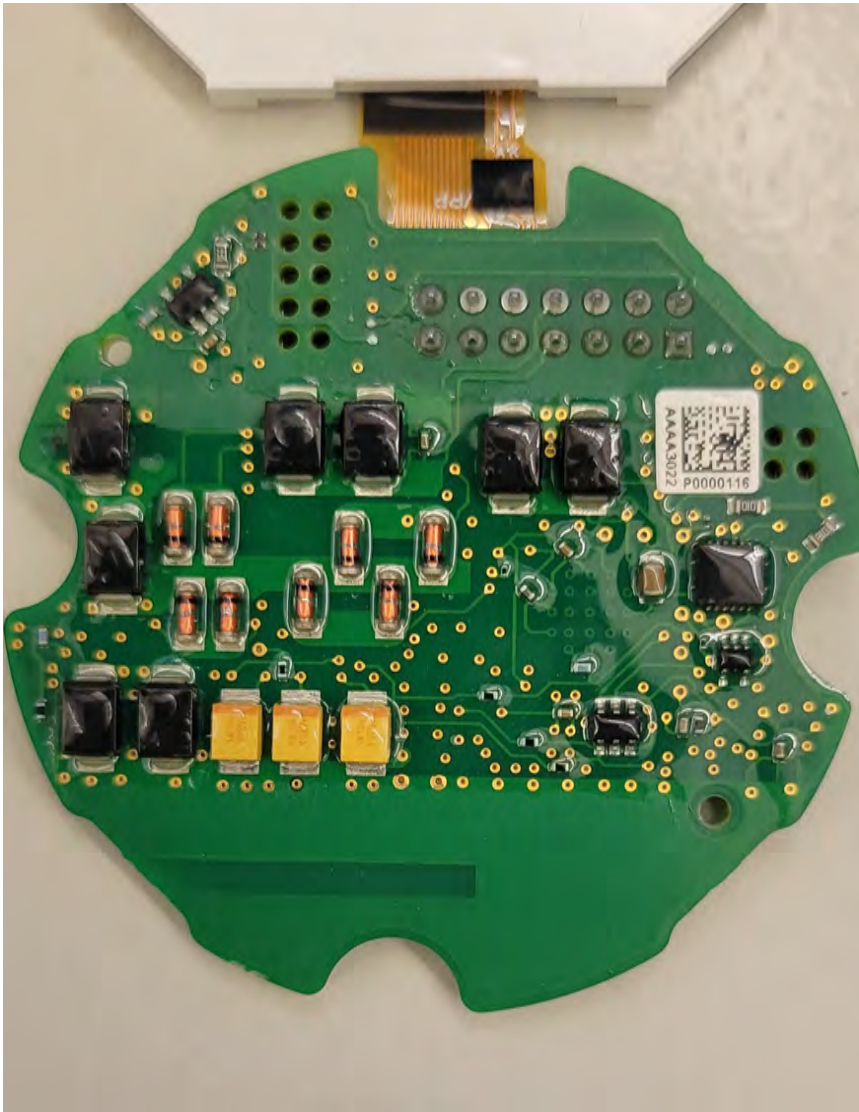


Transmit RF path shown with orange arrows.



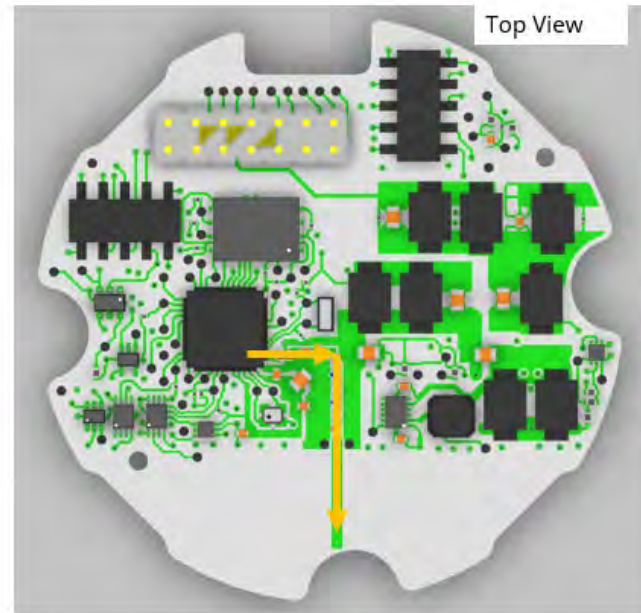


# 3051C



PCB slot antenna cutout

# 3051C



Transmit RF path shown with orange arrows.

