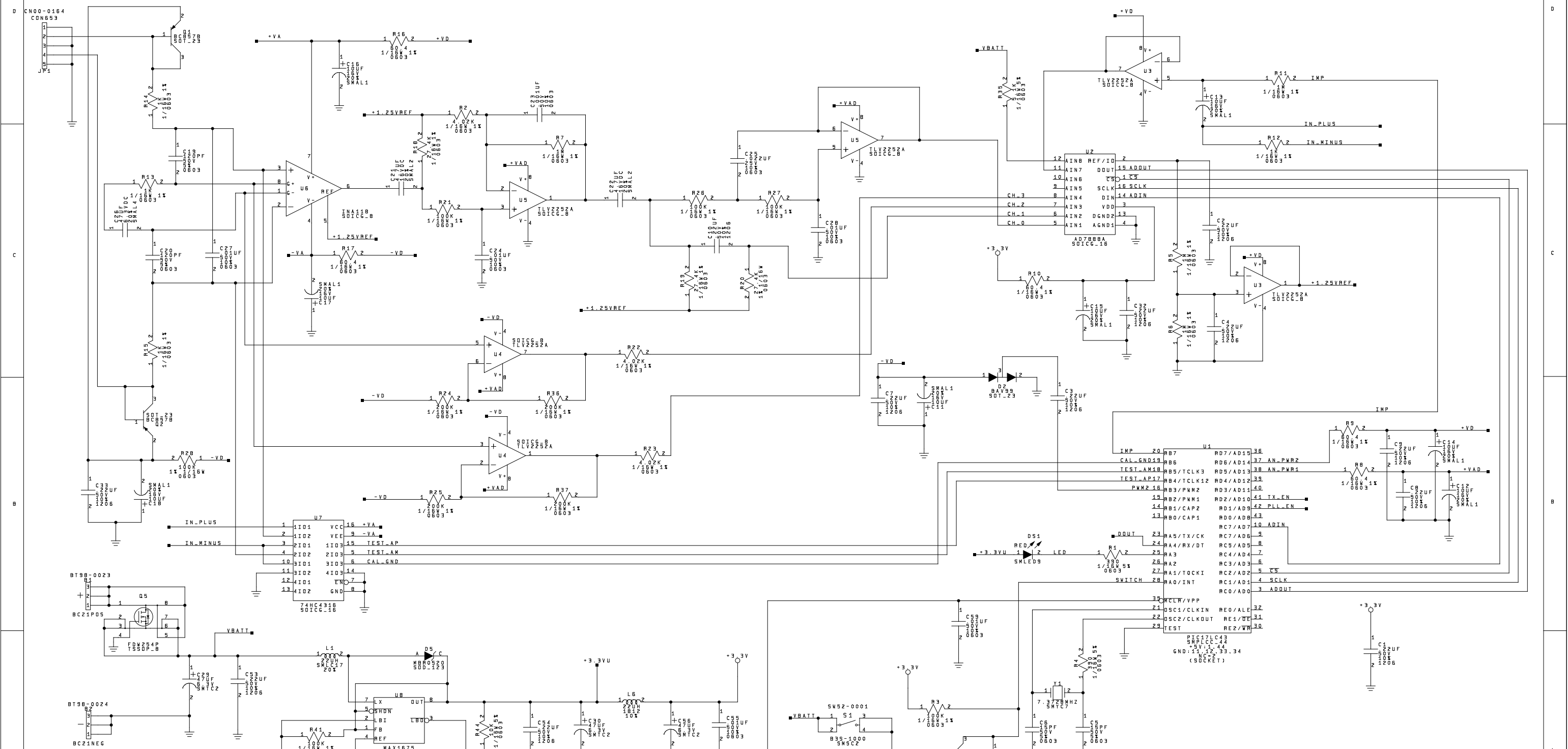


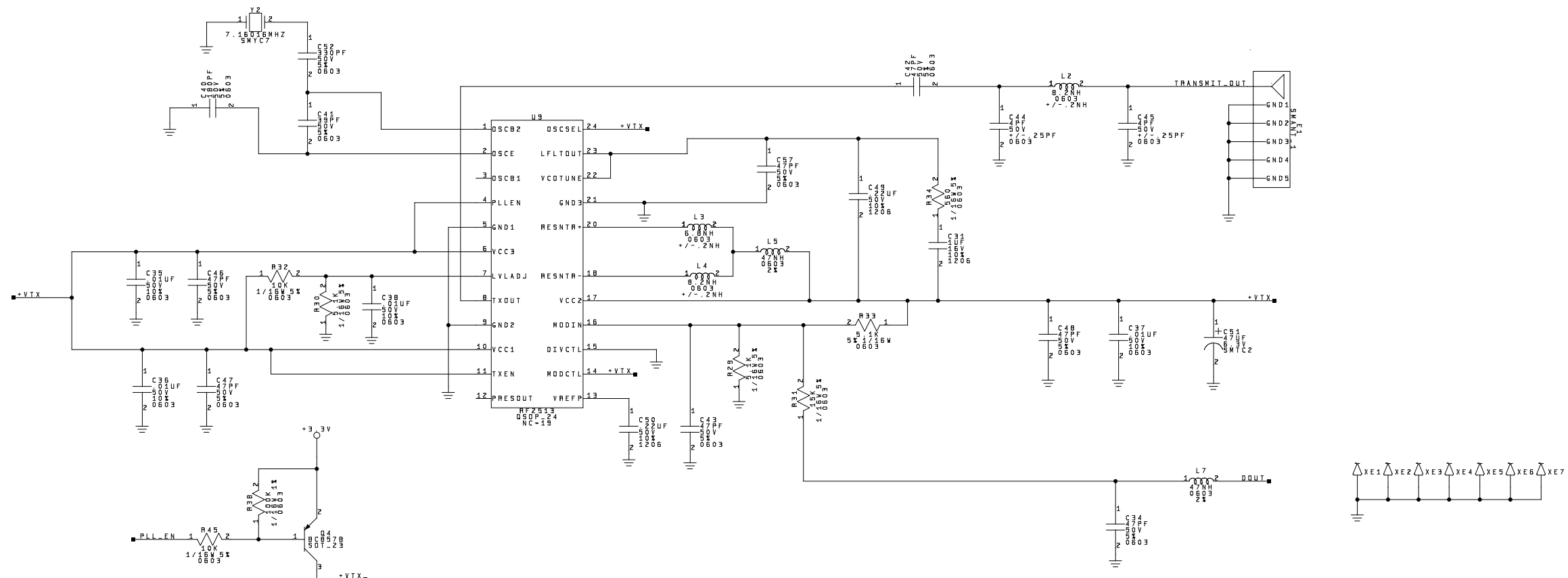
PATAPSCO DESIGNS PROPRIETARY
 This document is considered proprietary by PATAPSCO DESIGNS, INC. Its disclosure or use is restricted internally to those employees of PATAPSCO or its subsidiaries having a need to know. No disclosure or use outside of that corporate family is permitted in the absence of a confidential disclosure agreement.

REVISIONS			
LTR	DESCRIPTION	DATE	APPROVED
A	RELEASED TO PRODUCTION	001212	



TOLERANCES UNLESS OTHERWISE SPECIFIED		FRACTIONS DEC ANGLES		PATAPSCO DESIGNS, INC. FREDERICK, MARYLAND 21703 TITLE SCHEMATIC EAST3 HEADSET BOARD	
APPROVALS	DATE	SCALE	SIZE	DRAWING NO.	REV.
		NONE	D	4974	A
		DO NOT SCALE DRAWING	DATE DEC. 12, 2000	SHEET 1 OF 2	

PATAPSCO DESIGNS PROPRIETARY
 This document is considered proprietary by PATAPSCO DESIGNS, INC. Its disclosure or use is restricted internally to those employees of PATAPSCO or its subsidiaries having a need to know. No disclosure or use outside of that corporate family is permitted in the absence of a confidential disclosure agreement.



SCALE	SIZE	DRAWING NO.	REV.
NONE	D	4974	A
DO NOT SCALE DRAWING		DATE DEC. 12, 2000	SHEET 2 OF 2