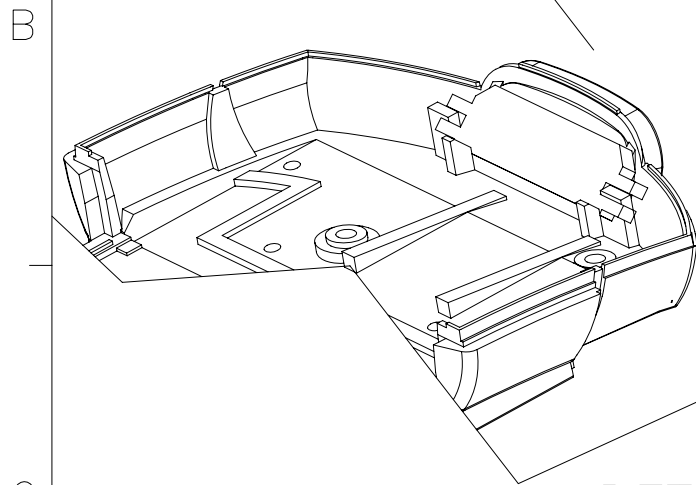
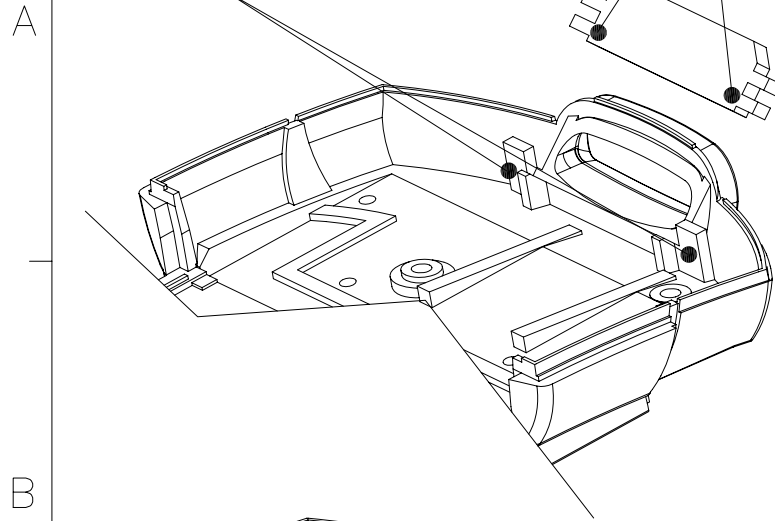




### DETAIL A

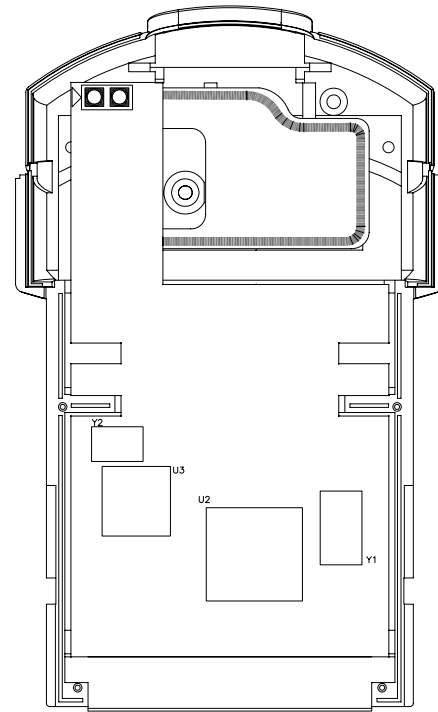
ADD GLUE IN THESE LOCATION. PLACE LENS DOWN SO THAT THE GLUE WILL ADHERE TO THE BOTTOM TABS OF LENS. SEE BELOW FOR DRAWING REFERENCE.

BOTTOM TABS OF THE LENS



### DETAIL B

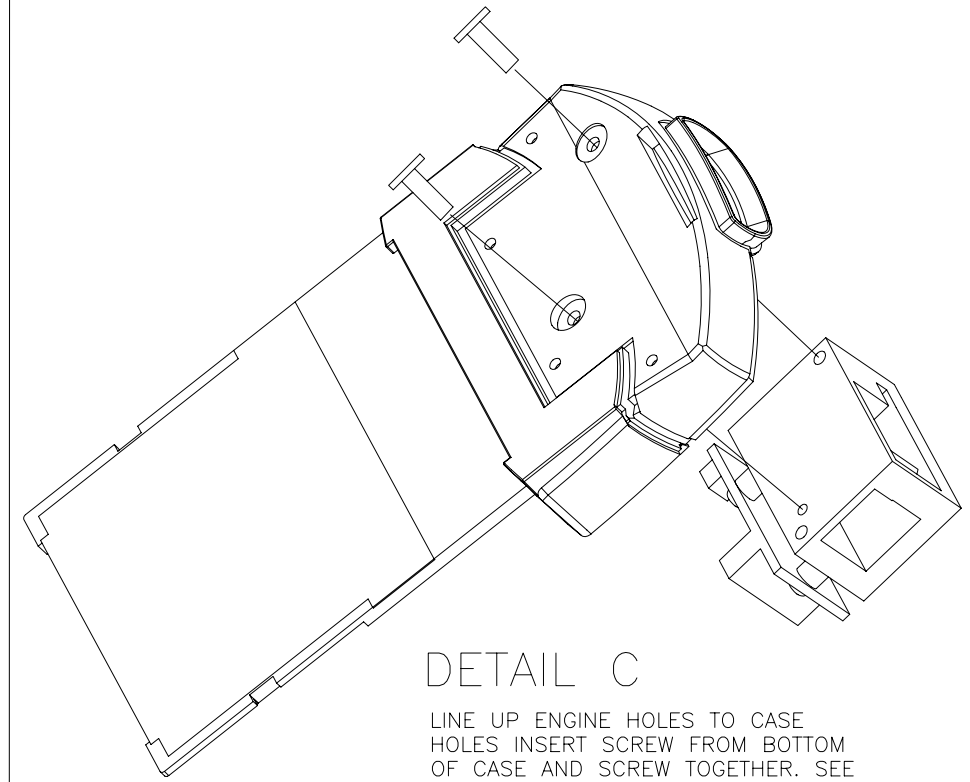
INSERT PCBA INTO BOTTOM CASE. SEE DRAWING FOR REFERENCE.



TOPSIDE VIEW

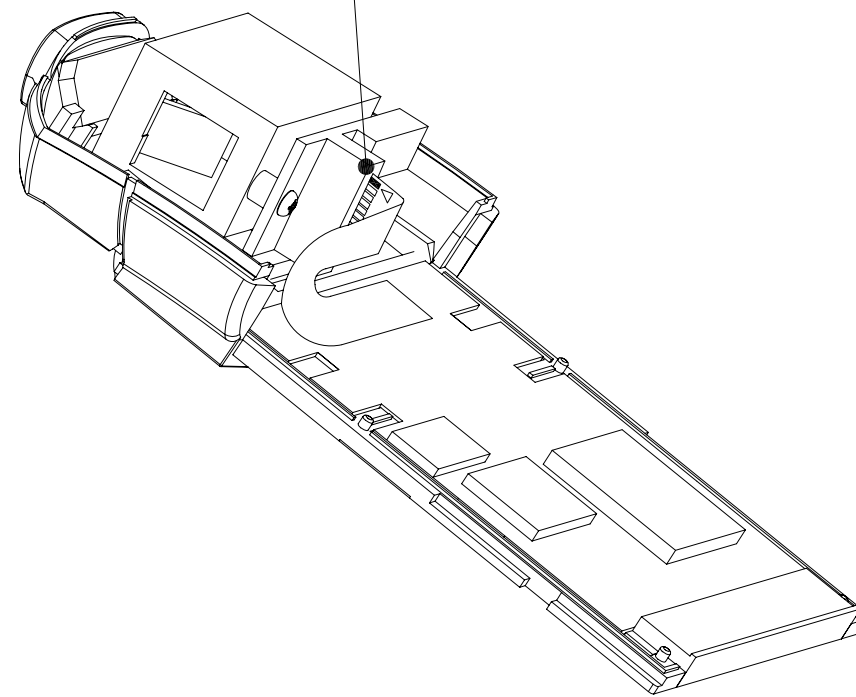
### DETAIL C

LINE UP ENGINE HOLES TO CASE HOLES. INSERT SCREW FROM BOTTOM OF CASE AND SCREW TOGETHER. SEE DRAWING FOR REFERENCE.



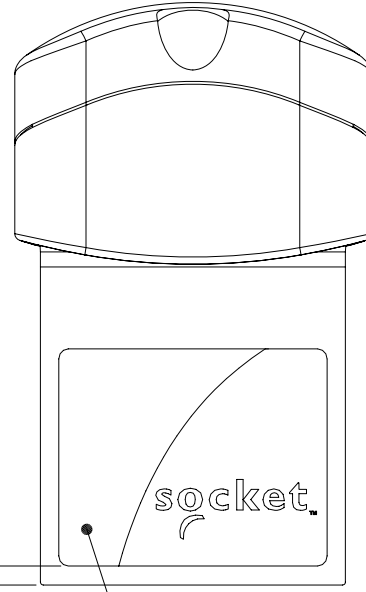
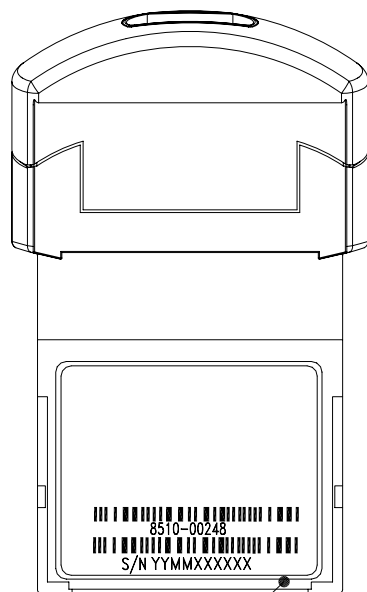
### DETAIL D

PIN 1 OF P1



### DETAIL G

### DETAIL F



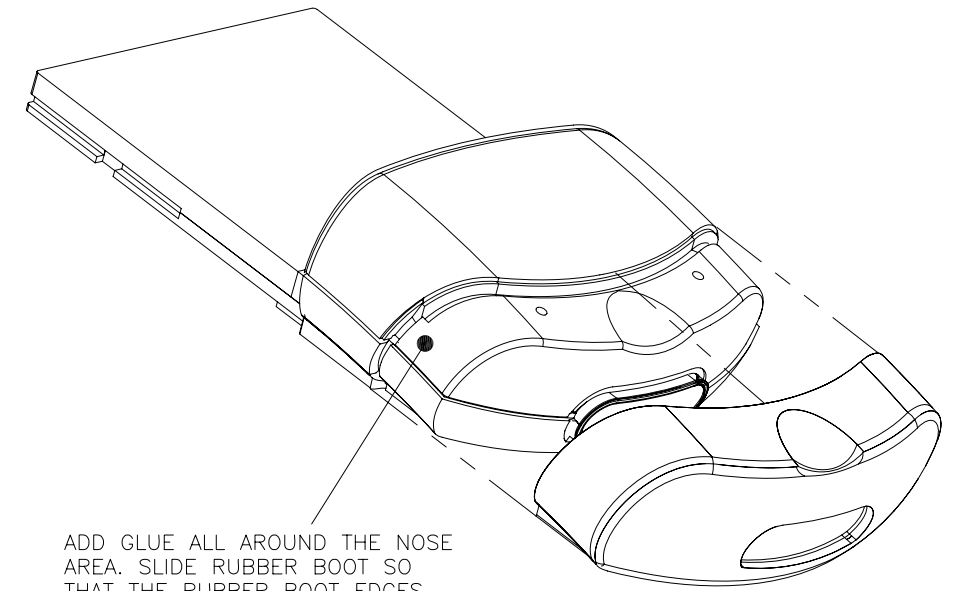
CENTER LABEL IN SIDE THE WINDOW AREA. ITEM# 10

CENTER LABEL LEFT AND RIGHT.

3.0

### DETAIL E

ADD GLUE ALL AROUND THE NOSE AREA. SLIDE RUBBER BOOT SO THAT THE RUBBER BOOT EDGES REST AGAINST THE EDGES OF THE TOP AND BOTTOM CASE. SEE DRAWING FOR EDGE REFERENCE.



UNIT mm	DWG NO: 0340-00092			
	REV. A	SCALE N/A	SHEET 2/2	SIZE A