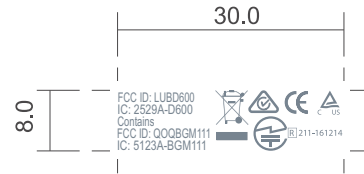


Notes: Unless Otherwise Specified

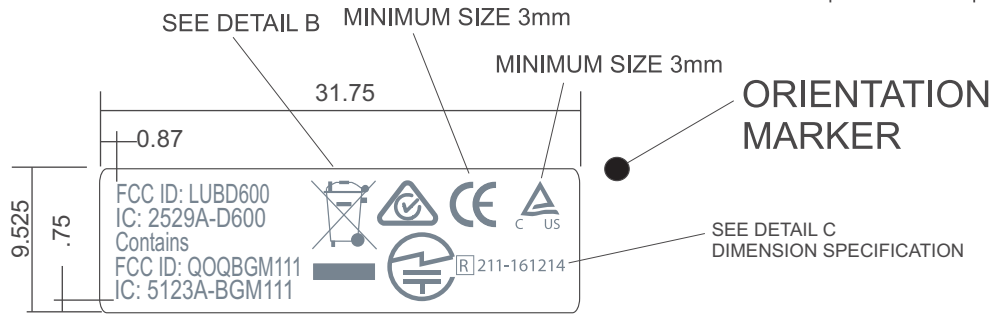
The information contained on this document is proprietary of Socket Mobile, Inc. any distribution, duplication, or manipulation of this document is prohibited with-out written consent from Socket Mobile, Inc.

- 1.) Reference drawing: 6510-00109-B for die cut and material specifications.
- 2.) Font to be Arial with a size of 5.0.
Color: PMS 430C
The print quality must be good enough to read with the naked eye.
- 3.) Artwork should be centered left to right and top to bottom on the label. See below for placement reference.
- 4.) For artwork see Detail A.
- 5.) All Material and process must be RoHS compliant.



DETAIL A
SCALE 1:1
REF. ONLY

Place tolerance of the printing +/- 0,3 using (min. 300DPI) thermal transfer printer To be printed in NMP production



SCALE 2:1

Design of Marking (Alternative 2)



Crossed-out wheeled bin required according to Art. 10.3 of Directive 2002/96/EC, described in Annex IV

Marking for identification of placing on the market as of 13 August 2005

- The bar is the symbol for marking of new waste (no place holder)
- The bar has to be used in conjunction with the crossed-out wheeled bin. Dimensional relationship shall be maintained when the size is altered. (The bar shall be h=0,3a or at least 1 mm in height)



SCALE 1:1

DETAIL C
TELECSymbol
MIN. \varnothing 5mm

DETAIL B
WEEE Symbol
DRAWING NOT TO SCALE

ALL DIMENSION IN mm

Rev.	Description	Date	Approval

socket mobile www.socketmobile.com

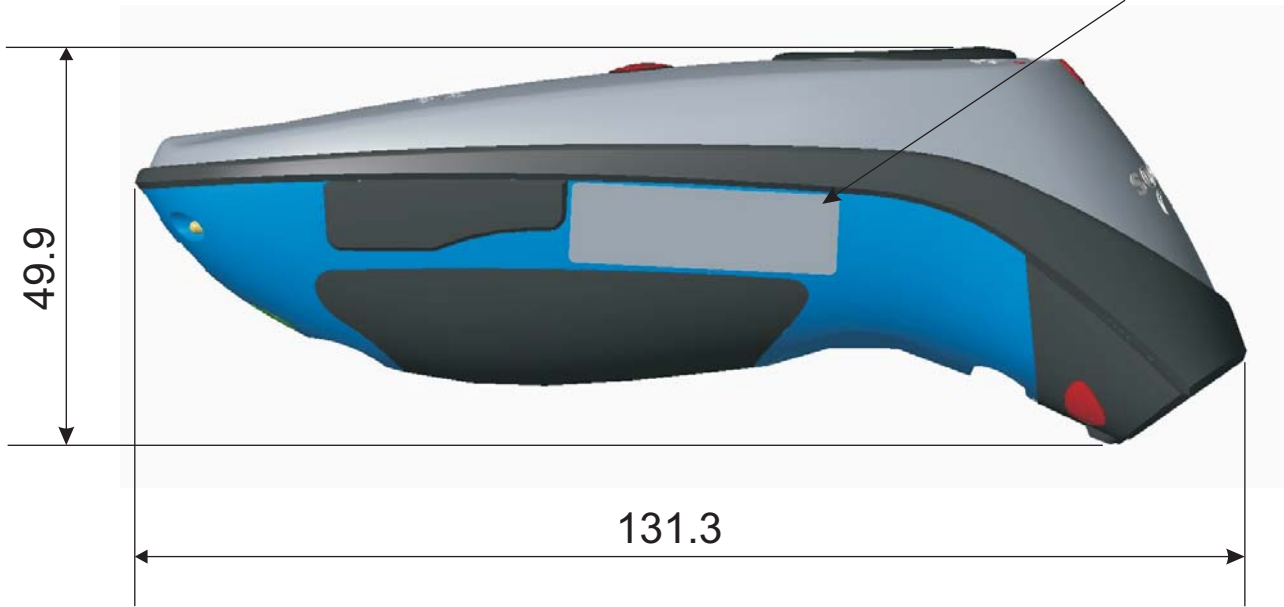
39700 Eureka Dr. Newark, CA. 94560 PN: (510)933-3000 FX: (510)933-3030

Sheet 1 of 1	Original Scale N/A	Drawn	James Rebello	Date	01/03/17
	Original Size A	ENGR	James Rebello		01/03/17
	NMP Code	CHK	Len Ott		01/03/17
		MKTG	Vince Coli		01/03/17

Drawing Title MFG. INSTRUCTION, DWG. Label, Certification, DuraScan600Series	Drawing Number 6540-00216	Approved / Date 01/03/17	Rev A
--	------------------------------	-----------------------------	----------



Placement Location for Certification Label



All Dimension in mm

