

Notes: Unless Otherwise Specified

The information contained on this document is proprietary of Socket Communication, Inc. any distribution, duplication, or manipulation of this document is prohibited with-out written consent from Socket Communications, Inc



LOCATE AT LABEL #1 POSITION

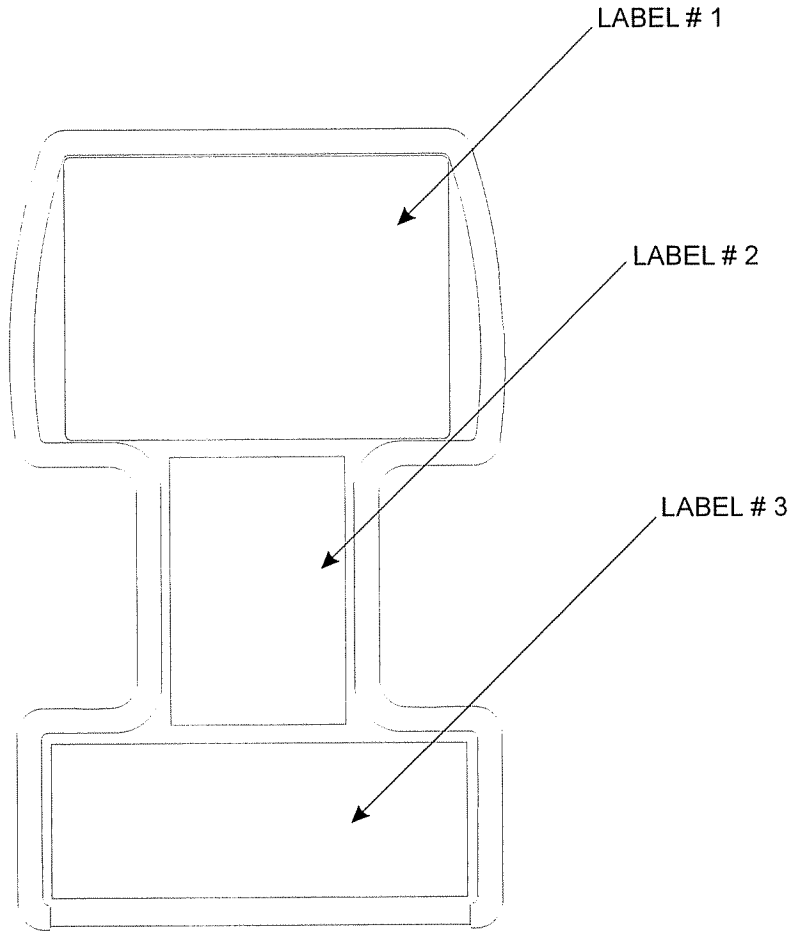


LOCATE AT LABEL #3 POSITION


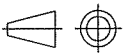
<p>3740Cental Court Newark, CA 94560</p> <p>PN: (510)744-2700 FX: (510)744-2727</p>	Sheet 1 of 1	Original Scale N/A	Drawn	James Rebello	Date 10/14/03
		Original Size A	ENGR		
		NMP Code	CHK		
			MKTG		
Drawing Title	Drawing Number		Approved / Date		Rev A

Notes: Unless Otherwise Specified

The information contained on this document is proprietary of Socket Communication, Inc. any distribution, duplication, or manipulation of this document is prohibited with-out written consent from Socket Communications, Inc



NOT TO SCALE

 <p>3740Cental Court Newark, CA 94560</p> <p>PN: (510)744-2700 FX: (510)744-2727</p>	Sheet 1 of 1	Original Scale N/A	Drawn	James Rebello	Date 10/14/03
		Original Size A	ENGR		
		NMP Code	CHK		
			MKTG		
Drawing Title		Drawing Number		Approved / Date	
				Rev A	