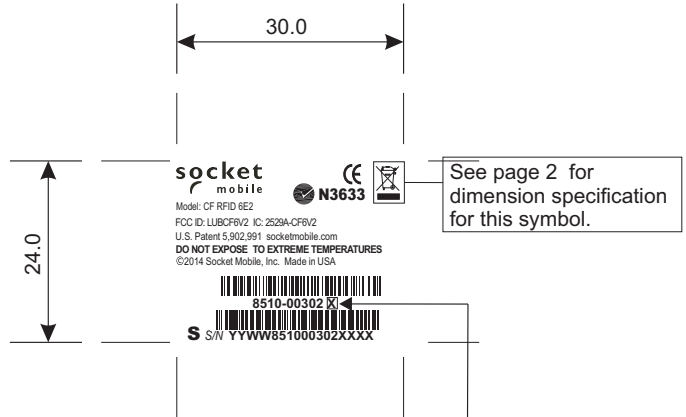


Notes: Unless Otherwise Specified

The information contained on this document is proprietary of Socket Communication, Inc any distribution, duplication, or manipulation of this document is prohibited with-out written consent from Socket Communications, Inc.

- 1.) Reference drawing: 6510-00051 for die cut and material specifications.
- 2.) Font size at vendor discretion. Vendor must choose a size that is clear and readable by the human eye.
- 3.) Artwork should be centered top to bottom and left to right on the label. See below for reference of placing the artwork in relationship to the label.
- 4.) Artwork of the label should be oriented and laid out like Detail A.
- 5.) All processes and material must be RoHS compliant.

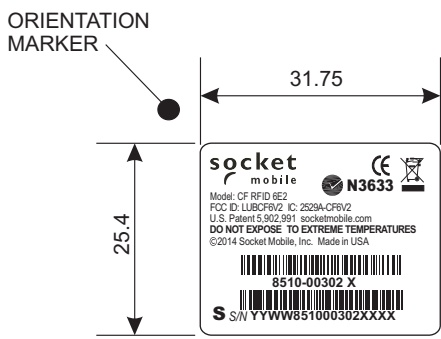


SCALE 1:1
BACK LABEL
REF. ONLY

Revision placement holder.
Placement holder should be replaced with the Revision letter provided on the ECO or ERO document.
See Detail B below for barcode info.

DETAIL A
SCALE 1:1
REF. ONLY

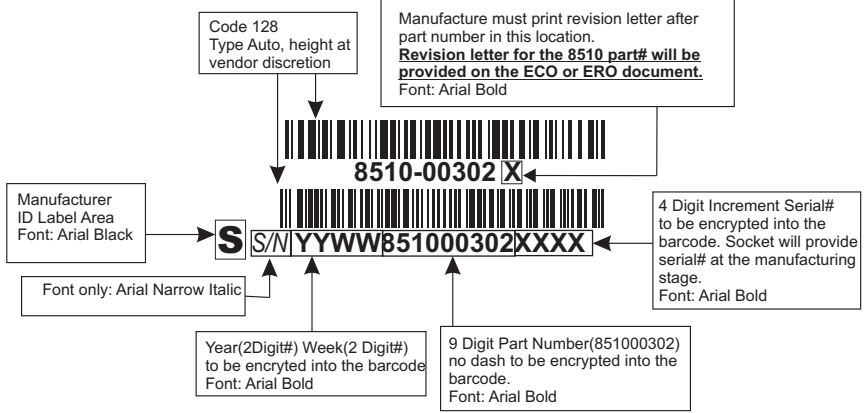
Place tolerance of the printing +/- 0.3 using (min. 300DPI) thermal transfer printer To be printed in NMP production



DRAWING NOT TO SCALE

Font: All font that is not identified should be **Arial**.

DETAIL B
DRAWING NOT TO SCALE



ALL DIMENSION IN mm

Rev	Updated By	Approved By	Description	Date

socket Mobile, Inc.™
www.socketmobile.com

39700 Eureka Drive
Newark, CA. 94560

PN: (510)933-3000
FX: (510)933-3030

Sheet 1 of 2	Original Scale 1 to 1	Drawn	James Rebello	04/09/14
	Original Size A	ENGR	Charles Ader	04/09/14
	NMP Code	CHK	Eric Wiltse	04/09/14
		MKTG		

Drawing Title RFID, 6E2, BLACK, BARCODE, LABEL	Drawing Number 6530-00381	Approved / Date 04/21/14	Rev A
--	-------------------------------------	------------------------------------	-----------------

Design of Marking (Alternative 2)



Crossed-out wheeled bin required according to Art. 10.3 of Directive 2002/96/EC, described in Annex IV

Marking for identification of placing on the market as of 13 August 2005

- The bar is the symbol for marking of new waste (no place holder)
- The bar has to be used in conjunction with the crossed-out wheeled bin. Dimensional relationship shall be maintained when the size is altered. (The bar shall be $h=0,3a$ or at least 1 mm in height)

WEEE Symbol

DRAWING NOT
TO SCALE

Drawing Title

RFID, 6E2, BLACK, BARCODE, LABEL

Drawing Number

6530-00381

SHEET #

2 of 2

Rev

A