

11 HOP SELECTION

In total, 10 types of hopping sequences are defined – five for the 79-hop and five for the 23-hop system, respectively. Using the notation of parentheses () for figures related to the 23-hop system, these sequences are:

- A **page hopping sequence** with 32 (16) unique wake-up frequencies distributed equally over the 79 (23) MHz, with a period length of 32 (16);
- A **page response sequence** covering 32 (16) unique response frequencies that all are in an one-to-one correspondence to the current page hopping sequence. The master and slave use different rules to obtain the same sequence;
- An **inquiry sequence** with 32 (16) unique wake-up frequencies distributed equally over the 79 (23) MHz, with a period length of 32 (16);
- A **inquiry response sequence** covering 32 (16) unique response frequencies that all are in an one-to-one correspondence to the current inquiry hopping sequence.
- A **channel hopping sequence** which has a very long period length, which does not show repetitive patterns over a short time interval, but which distributes the hop frequencies equally over the 79 (23) MHz during a short time interval;

For the page hopping sequence, it is important that we can easily shift the phase forward or backward, so we need a 1-1 mapping from a counter to the hop frequencies. For each case, both a hop sequence from master to slave and from slave to master are required.

The inquiry and inquiry response sequences always utilizes the GIAC LAP as lower address part and the DCI ([Section 5.4 on page 72](#)) as upper address part in deriving the hopping sequence, even if it concerns a DIAC inquiry.

11.1 GENERAL SELECTION SCHEME

The selection scheme consists of two parts:

- selecting a sequence;
- mapping this sequence on the hop frequencies;

The general block diagram of the hop selection scheme is shown in [Figure 11.1 on page 127](#). The mapping from the input to a particular hop frequency is performed in the selection box. Basically, the input is the native clock and the current address. In **CONNECTION** state, the native clock (CLKN) is modified by an offset to equal the master clock (CLK). Only the 27 MSBs of the clock are used. In the **page** and **inquiry** substates, all 28 bits of the clock are used. However, in **page** substate the native clock will be modified to the master's estimate of the paged unit.

The address input consists of 28 bits, i.e., the entire LAP and the 4 LSBs of the UAP. In **CONNECTION** state, the address of the master is used. In **page** substate the address of the paged unit is used. When in **inquiry** substate, the UAP/LAP corresponding to the GIAC is used. The output constitutes a pseudo-random sequence, either covering 79 hop or 23 hops, depending on the state.

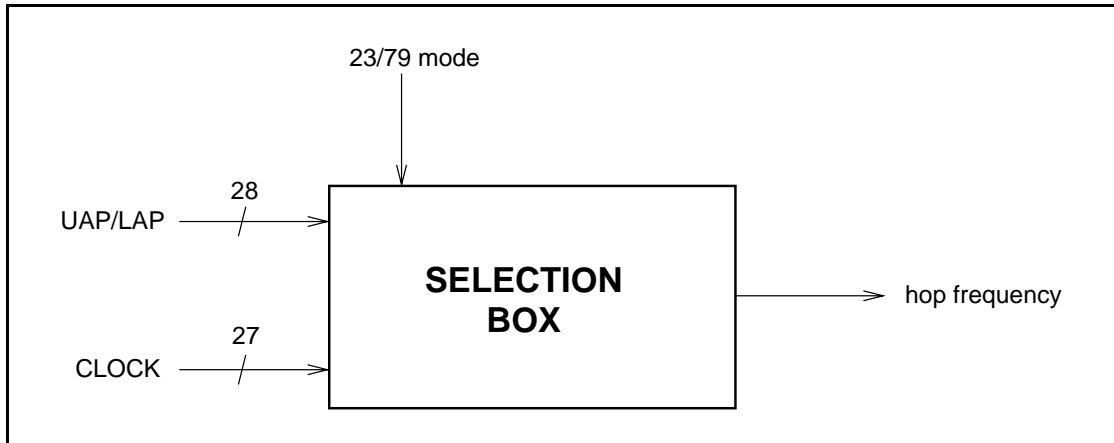


Figure 11.1: General block diagram of hop selection scheme.

For the 79-hop system, the selection scheme chooses a segment of 32 hop frequencies spanning about 64 MHz and visits these hops once in a random order. Next, a different 32-hop segment is chosen, etc. In case of the **page**, **page scan**, or **page response** substates, the same 32-hop segment is used all the time (the segment is selected by the address; different units will have different paging segments). In connection state, the output constitutes a pseudo-random sequence that slides through the 79 hops or 23 hops, depending on the selected hop system. For the 23-hop systems, the segment size is 16. The principle is depicted in Figure 11.2

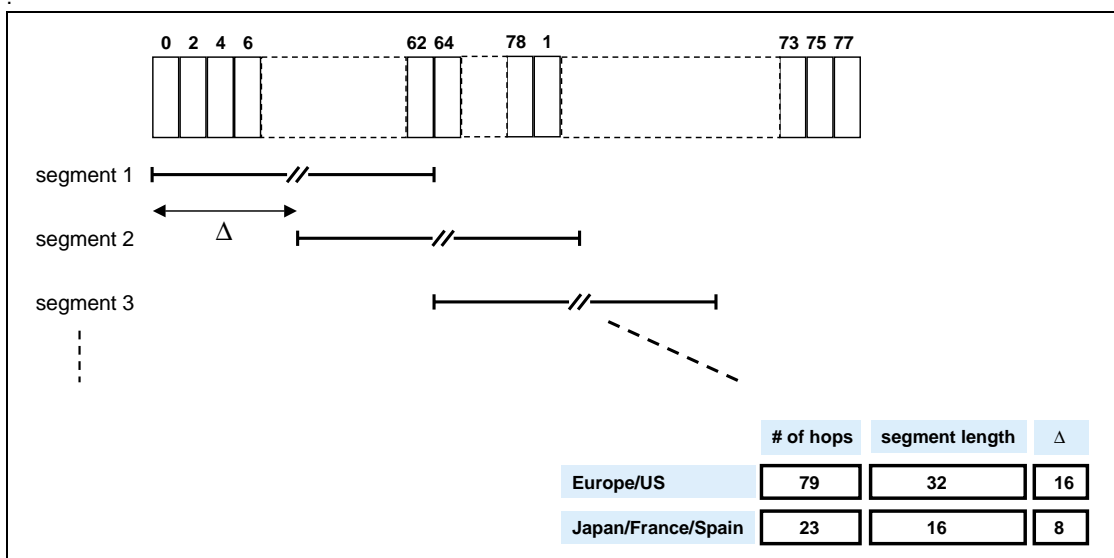


Figure 11.2: Hop selection scheme in CONNECTION state.

11.2 SELECTION KERNEL

The hop selection kernels for the 79 hop system and the 23 hop system are shown in Figure 11.3 on page 128 and Figure 11.4 on page 128, respectively. The X input determines the phase in the 32-hop segment, whereas Y1 and Y2 selects between master-to-slave and slave-to-master transmission. The inputs A to D determine the ordering within the segment, the inputs E and F determine the mapping onto the hop frequencies. The kernel addresses a register containing the hop frequencies. This list should be created such that first all even hop frequencies are listed and then all odd hop frequencies. In this way, a 32-hop segment spans about 64 MHz, whereas a 16-hop segment spans the entire 23-MHz.

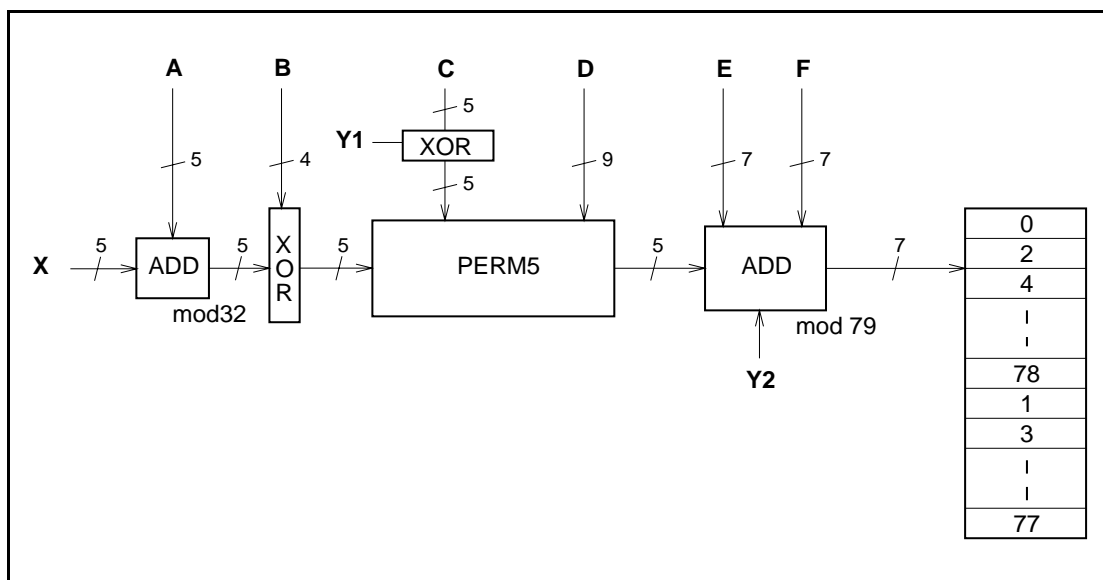


Figure 11.3: Block diagram of hop selection kernel for the 79-hop system.

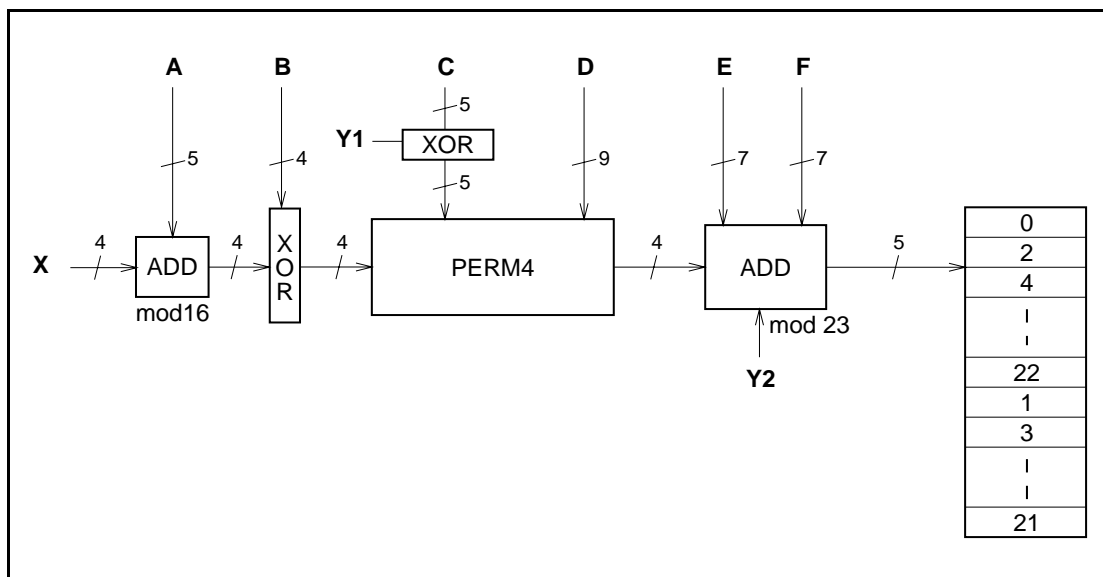


Figure 11.4: Block diagram of hop selection kernel for the 23-hop system.

The selection procedure consists of an addition, an XOR operation, a permutation operation, an addition, and finally a register selection. In the remainder of this chapter, the notation A_i is used for bit i of the BD_ADDR.

11.2.1 First addition operation

The first addition operation only adds a constant to the phase and applies a modulo 32 or a modulo 16 operation. For the page hopping sequence, the first addition is redundant since it only changes the phase within the segment. However, when different segments are concatenated (as in the channel hopping sequence), the first addition operation will have an impact on the resulting sequence.

11.2.2 XOR operation

Let Z' denote the output of the first addition. In the XOR operation, the four LSBs of Z' are modulo-2 added to the address bits A_{22-19} . The operation is illustrated in [Figure 11.5 on page 129](#).

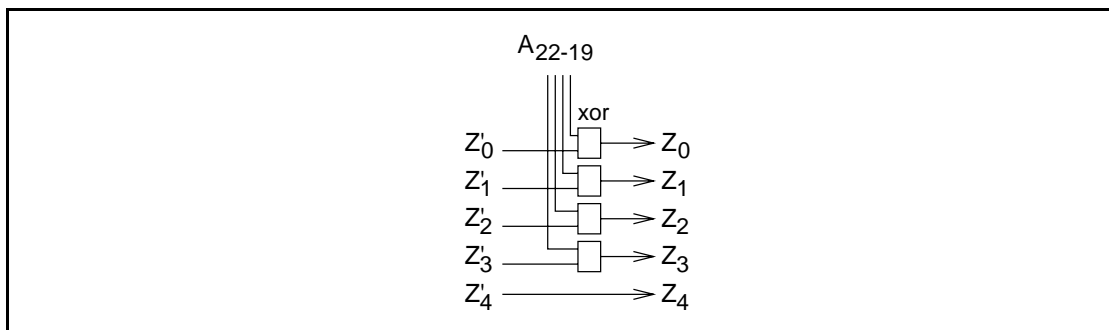


Figure 11.5: XOR operation for the 79-hop system. The 23-hop system is the same except for the Z'_4/Z_4 wire that does not exist.



11.2.3 Permutation operation

The permutation operation involves the switching from 5 inputs to 5 outputs for the 79 hop system and from 4 inputs to 4 outputs for 23 hop system, in a manner controlled by the control word. In [Figure 11.6 on page 131](#) and [Figure 11.7 on page 131](#) the permutation or switching box is shown. It consists of 7 stages of butterfly operations. [Table 11.1](#) and [Table 11.2](#) shows the control of the butterflies by the control signals P. Note that P_{0-8} corresponds to D_{0-8} , and, P_{i+9} corresponds to $C_i \oplus Y1$ for $i = 0 \dots 4$ in [Figure 11.3](#) and [Figure 11.4](#).

Control signal	Butterfly	Control signal	Butterfly
P ₀	{Z ₀ ,Z ₁ }	P ₈	{Z ₁ ,Z ₄ }
P ₁	{Z ₂ ,Z ₃ }	P ₉	{Z ₀ ,Z ₃ }
P ₂	{Z ₁ ,Z ₂ }	P ₁₀	{Z ₂ ,Z ₄ }
P ₃	{Z ₃ ,Z ₄ }	P ₁₁	{Z ₁ ,Z ₃ }
P ₄	{Z ₀ ,Z ₄ }	P ₁₂	{Z ₀ ,Z ₃ }
P ₅	{Z ₁ ,Z ₃ }	P ₁₃	{Z ₁ ,Z ₂ }
P ₆	{Z ₀ ,Z ₂ }		
P ₇	{Z ₃ ,Z ₄ }		

Table 11.1: Control of the butterflies for the 79 hop system

Control signal	Butterfly	Control signal	Butterfly
P ₀	{Z ₀ ,Z ₁ }	P ₈	{Z ₀ ,Z ₂ }
P ₁	{Z ₂ ,Z ₃ }	P ₉	{Z ₁ ,Z ₃ }
P ₂	{Z ₀ ,Z ₃ }	P ₁₀	{Z ₀ ,Z ₃ }
P ₃	{Z ₁ ,Z ₂ }	P ₁₁	{Z ₁ ,Z ₂ }
P ₄	{Z ₀ ,Z ₂ }	P ₁₂	{Z ₀ ,Z ₁ }
P ₅	{Z ₁ ,Z ₃ }	P ₁₃	{Z ₂ ,Z ₃ }
P ₆	{Z ₀ ,Z ₁ }		
P ₇	{Z ₂ ,Z ₃ }		

Table 11.2: Control of the butterflies for the 23 hop system

The Z input is the output of the XOR operation as described in the previous section. The butterfly operation can be implemented with multiplexers as depicted in [Figure 11.8 on page 131](#).

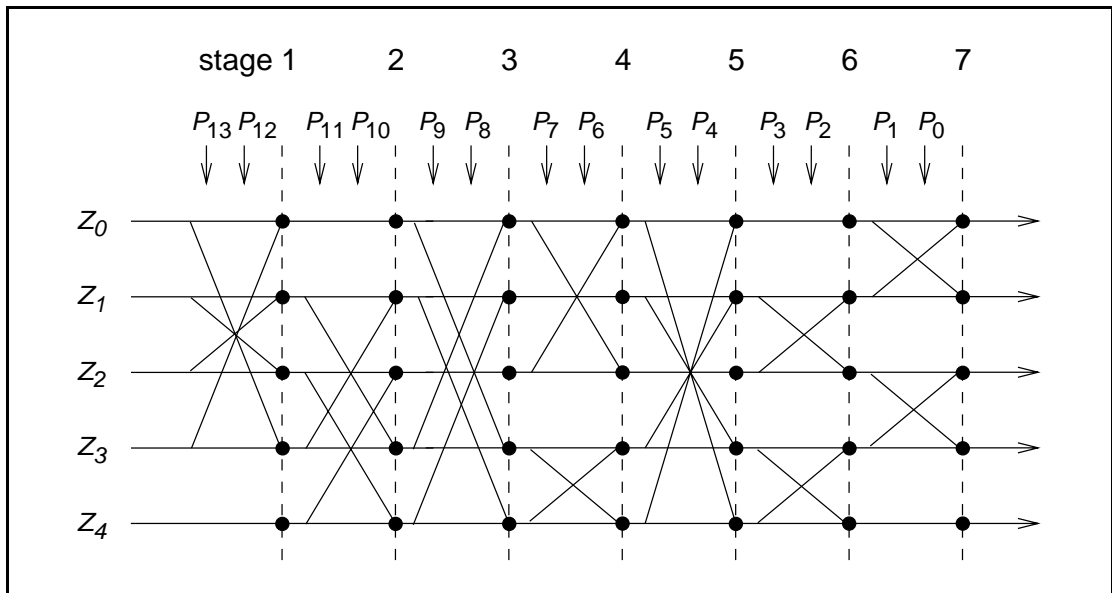


Figure 11.6: Permutation operation for the 79 hop system.

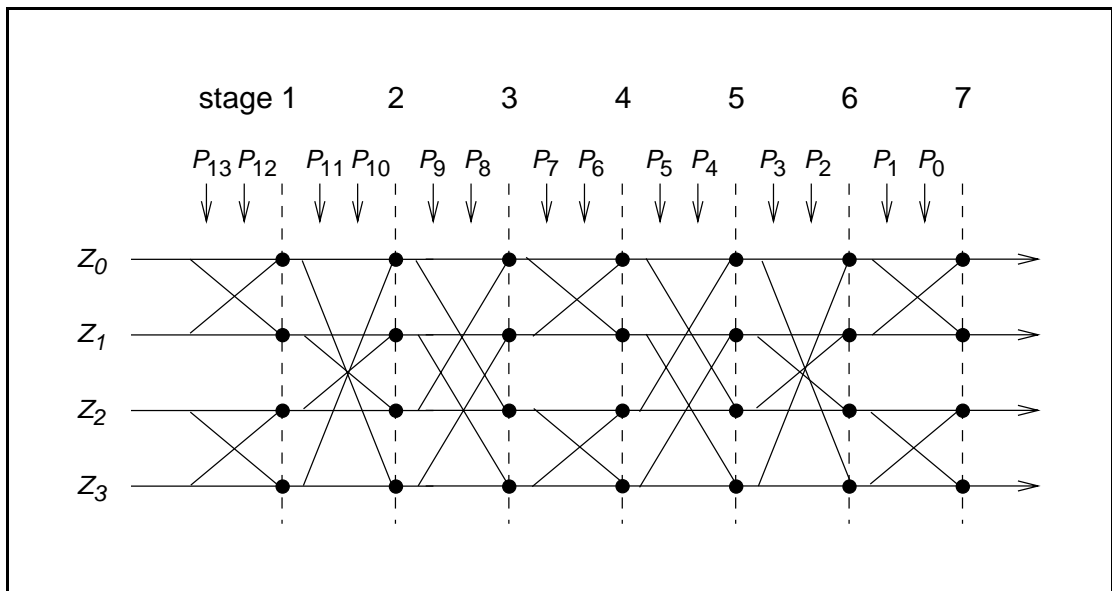


Figure 11.7: Permutation operation for the 23 hop system.

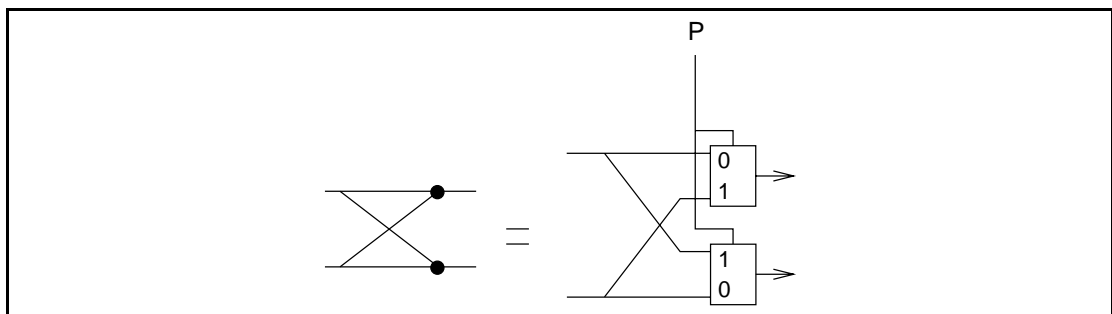


Figure 11.8: Butterfly implementation.



11.2.4 Second addition operation

The addition operation only adds a constant to the output of the permutation operation. As a result, the 16-hop or 32-hop segment is mapped differently on the hop frequencies. The addition is applied modulo 79 or modulo 23 depending on the system type (Europe/US vs. others).

11.2.5 Register bank

The output of the adder addresses a bank of 79 or 23 registers. The registers are loaded with the synthesizer code words corresponding to the hop frequencies 0 to 78 or 0 to 22. Note that the upper half of the bank contains the even hop frequencies, whereas the lower half of the bank contains the odd hop frequencies.

11.3 CONTROL WORD

In the following section $X_{i:j}$, $i < j$, will denote bits $i, i+1, \dots, j$ of the bit vector X . By convention, X_0 is the least significant bit of the vector X .

The control word P of the kernel is controlled by the overall control signals X , $Y1$, $Y2$, and A to F as illustrated in [Figure 11.3 on page 128](#) and [Figure 11.4 on page 128](#). During paging and inquiry, the inputs A to E use the address values as given in the corresponding columns of [Table 11.3 on page 133](#) and [Table 11.4 on page 133](#). In addition, the inputs X , $Y1$ and $Y2$ are used. The F input is unused. In the 79-hop system, the clock bits $CLK_{6:2}$ (i.e., input X) specifies the phase within the length 32 sequence, while for the 23-hop system, $CLK_{5:2}$ specifies the phase within the length 16 sequence. For both systems, CLK_1 (i.e., inputs $Y1$ and $Y2$) is used to select between TX and RX. The address inputs determine the sequence order within segments. The final mapping onto the hop frequencies is determined by the register contents.

In the following we will distinguish between three types of clocks: the piconet's master clock, the Bluetooth unit's native clock, and the clock estimate of a paged Bluetooth unit. These types are marked in the following way:

1. $CLK_{27:0}$: Master clock of the current piconet.
2. $CLKN_{27:0}$: Native clock of the unit.
3. $CLKE_{27:0}$: The paging unit's estimate of the paged unit's native clock.

During the **CONNECTION** state, the inputs A , C and D result from the address bits being bit-wise XORed with the clock bits as shown in the "Connection state" column of [Table 11.3 on page 133](#) and [Table 11.4 on page 133](#) (the two MSBs are XORed together, the two second MSBs are XORed together, etc.). Consequently, after every 32 (16) time slots, a new length 32 (16) segment is selected in the 79-hop (23-hop) system. The sequence order within a specific



segment will not be repeated for a very long period. Thus, the overall hopping sequence consists of concatenated segments of 32-hops each. Since each 32-hop sequence spans more than 80% of the 79 MHz band, the desired frequency spreading over a short time interval is obtained.

	Page scan/ Inquiry scan	Page/Inquiry	Page response (master/slave) and Inquiry response	Connection state
X	$CLKN_{16-12} / Xir_{4-0}^{(79)}$	$Xp_{4-0}^{(79)} / Xi_{4-0}^{(79)}$	$Xprm_{4-0}^{(79)} / Xprs_{4-0}^{(79)} / Xir_{4-0}^{(79)}$	CLK_{6-2}
Y1	0	$CLKE_1 / CLKN_1$	$CLKE_1 / CLKN_1 / 1$	CLK_1
Y2	0	$32 \times CLKE_1 / 32 \times CLKN_1$	$32 \times CLKE_1 / 32 \times CLKE_1 \quad 32 \times 1$	$32 \times CLK_1$
A	A_{27-23}	A_{27-23}	A_{27-23}	$A_{27-23} \oplus CLK_{25-21}$
B	A_{22-19}	A_{22-19}	A_{22-19}	A_{22-19}
C	$A_{8,6,4,2,0}$	$A_{8,6,4,2,0}$	$A_{8,6,4,2,0}$	$A_{8,6,4,2,0} \oplus CLK_{20-16}$
D	A_{18-10}	A_{18-10}	A_{18-10}	$A_{18-10} \oplus CLK_{15-7}$
E	$A_{13,11,9,7,5,3,1}$	$A_{13,11,9,7,5,3,1}$	$A_{13,11,9,7,5,3,1}$	$A_{13,11,9,7,5,3,1}$
F	0	0	0	$16 \times CLK_{27-7} \text{ mod } \mathcal{D}$

Table 11.3: Control for 79-hop system.

	Page scan/ Inquiry scan	Page/Inquiry	Page response (master/slave) and Inquiry response	Connection state
X	$CLKN_{15-12} / Xir_{3-0}^{(23)}$	$Xp_{3-0}^{(23)} / Xi_{3-0}^{(23)}$	$Xprm_{3-0}^{(23)} / Xprs_{3-0}^{(23)} / Xir_{3-0}^{(23)}$	CLK_{5-2}
Y1	0	$CLKE_1 / CLKN_1$	$CLKE_1 / CLKN_1 / 1$	CLK_1
Y2	0	$16 \times CLKE_1 / 16 \times CLKN_1$	$16 \times CLKE_1 / 16 \times CLKE_1 \quad 16 \times 1$	$16 \times CLK_1$
A	A_{27-23}	A_{27-23}	A_{27-23}	$A_{27-23} \oplus CLK_{25-21}$
B	A_{22-19}	A_{22-19}	A_{22-19}	A_{22-19}
C	$A_{8,6,4,2,0}$	$A_{8,6,4,2,0}$	$A_{8,6,4,2,0}$	$A_{8,6,4,2,0} \oplus CLK_{20-16}$

Table 11.4: Control for 23-hop system.

	Page scan/ Inquiry scan	Page/Inquiry	Page response (master/slave) and Inquiry response	Connection state
D	A_{18-10}	A_{18-10}	A_{18-10}	$A_{18-10} \oplus \text{CLK}_{15-7}$
E	$A_{13, 11, 9, 7, 5, 3, 1}$	$A_{13, 11, 9, 7, 5, 3, 1}$	$A_{13, 11, 9, 7, 5, 3, 1}$	$A_{13, 11, 9, 7, 5, 3, 1}$
F	0	0	0	$6 \times \text{CLK}_{27-6} \bmod 23$

Table 11.4: Control for 23-hop system.

11.3.1 Page scan and Inquiry scan substates

In **page scan**, the Bluetooth device address of the scanning unit is used as address input. In **inquiry scan**, the GIAC LAP and the four LSBs of the DCI (as A_{27-24}), are used as address input for the hopping sequence. Naturally, for the transmitted access code and in the receiver correlator, the appropriate GIAC or DIAC is used. The application decides which inquiry access code to use depending on the purpose of the inquiry.

The five X input bits vary depending on the current state of the unit. In the **page scan** and **inquiry scan** substates, the native clock (CLKN) is used. In **CONNECTION** state the master clock (CLK) is used as input. The situation is somewhat more complicated for the other states.

11.3.2 Page substate

In the **page** substate of the 79-hop system, the paging unit shall start using the **A**-train, i.e., $\{f(k-8), \dots, f(k), \dots, f(k+7)\}$, where $f(k)$ is the source's estimate of the current receiver frequency in the paged unit. Clearly, the index k is a function of all the inputs in Figure 11.3. There are 32 possible paging frequencies within each 1.28 second interval. Half of these frequencies belongs to the **A**-train, the rest (i.e., $\{f(k+8), \dots, f(k+15), f(k-16), \dots, f(k-9)\}$) belongs to the **B**-train. In order to achieve the -8 offset of the **A**-train, a constant of 24 can be added to the clock bits (which is equivalent to -8 due to the modulo 32 operation). Clearly, the **B**-train may be accomplished by setting the offset to 8. A cyclic shift of the order within the trains is also necessary in order to avoid a possible repetitive mismatch between the paging and scanning units. Thus,

$$Xp^{(79)} = [\text{CLKE}_{16-12} + k_{offset} + (\text{CLKE}_{4-2,0} - \text{CLKE}_{16-12}) \bmod 16] \bmod 32, \quad (\text{EQ } 2)$$

where

$$k_{offset} = \begin{cases} 24 & \text{A-train,} \\ 8 & \text{B-train.} \end{cases} \quad (\text{EQ } 3)$$

Alternatively, each switch between the **A**- and **B**-trains may be accomplished by adding 16 to the current value of k_{offset} (originally initialized with 24).

In the **page** substate of the 23-hop system, the paging unit makes use of the **A**-train only. A constant offset of 8 is used in order to start with $f(k - 8)$. Moreover, only four bits are needed since the additions are modulo 16. Consequently,

$$X_p^{(23)} = [\text{CLKE}_{15-12} + 8 + \text{CLKE}_{4-2,0}] \text{ mod } 16, \tag{EQ 4}$$

11.3.3 Page response

11.3.3.1 Slave response

A unit in the **page scan** substate recognizing its own access code enters the **slave response** substate. In order to eliminate the possibility of losing the link due to discrepancies of the native clock CLKN and the master's clock estimate CLKE, the four bits CLKN_{16-12} must be frozen at their current value. The value is frozen to the content it has in the slot where the recipient's access code is detected. Note that the actual native clock is *not* stopped; it is merely the values of the bits used for creating the X-input that are kept fixed for a while. In the sequel, a frozen value is marked by an asterisk (*).

For each response slot the paged unit will use an X-input value one larger (modulo 32 or 16) than in the preceding response slot. However, the first response is made with the X-input kept at the same value as it was when the access code was recognized. Let N be a counter starting at zero. Then, the X-input in the $(N + 1)$ -th response slot (the first response slot being the one immediately following the page slot now responding to) of the **slave response** substate becomes

$$X_{prs}^{(79)} = [\text{CLKN}^*_{16-12} + N] \text{ mod } 32, \tag{EQ 5}$$

and

$$X_{prs}^{(23)} = [\text{CLKN}^*_{15-12} + N] \text{ mod } 16, \tag{EQ 6}$$

for the 79-hop and 23-hop systems, respectively. The counter N is set to zero in the slot where the slave acknowledges the page (see [Figure 10.6 on page 102](#) and [Figure 10.7 on page 102](#)). Then, the value of N is increased by one each time CLKN_1 is set to zero, which corresponds to the start of a master TX slot. The X-input is constructed this way until the first accepted **FHS** packet is received *and* the immediately following response packet has been transmitted. After this the slave enters the **CONNECTION** state using the parameters received in the **FHS** packet.

11.3.3.2 Master response

The paging unit enters **master response** substate upon receiving a slave response. Clearly, also the master must freeze its estimated slave clock to the value that triggered a response from the paged unit. It is equivalent to using the values of the clock estimate when receiving the slave response (since only $CLKE_1$ will differ from the corresponding page transmission). Thus, the values are frozen when the slave **ID** packet is received. In addition to the used clock bits, also the current value of k_{offset} must be frozen. The master will adjust its X-input in the same way the paged unit does, i.e., by incrementing this value by one for each time $CLKE_1$ is set to zero. The first increment shall be done before sending the **FHS** packet to the paged unit. Let N be a counter starting at one. The rules for forming the X-inputs become

$$X_{prm}^{(79)} = [CLKE^*_{16-12} + k_{offset}^* + (CLKE^*_{4-2,0} - CLKE^*_{16-12}) \bmod 16 + N] \bmod 32, \quad (EQ 7)$$

and

$$X_{prm}^{(23)} = [CLKE^*_{15-12} + 8 + CLKE^*_{4-2,0} + N] \bmod 16, \quad (EQ 8)$$

for the 79-hop and 23-hop systems, respectively. The value of N is increased each time $CLKE_1$ is set to zero, which corresponds to the start of a master TX slot.

11.3.4 Inquiry substate

The X-input of the **inquiry** substate is quite similar to what is used in the **page** substate. Since no particular unit is addressed, the native clock $CLKN$ of the inquirer is used. Moreover, which of the two train offsets to start with is of no real concern in this state. Consequently,

$$X_i^{(79)} = [CLKN_{16-12} + k_{offset} + (CLKN_{4-2,0} - CLKN_{16-12}) \bmod 16] \bmod 32, \quad (EQ 9)$$

where k_{offset} is defined by (EQ 3) on page 134. The initial choice of the offset is arbitrary. For the 23-hop system,

$$X_i^{(23)} = [CLKN_{15-12} + 8 + CLKN_{4-2,0}] \bmod 16, \quad (EQ 10)$$

The GIAC LAP and the four LSBs of the DCI (as A_{27-24}) are used as address input for the hopping sequence generator. (EQ 11)



11.3.5 Inquiry response

The **inquiry response** substate is similar to the **slave response** substate with respect to the X-input. However, there is no need to freeze the clock input, thus

$$X_{ir}^{(79)} = [\text{CLKN}_{16-12} + N] \bmod 32, \quad (\text{EQ 12})$$

and

$$X_{ir}^{(23)} = [\text{CLKN}_{15-12} + N] \bmod 16, \quad (\text{EQ 13})$$

for the 79-hop and 23-hop systems, respectively. Furthermore, the counter N is increased not on **clocks**, but rather after each **FHS** packet has been transmitted in response to the inquiry. There is no restriction on the initial value of N as it is independent of the corresponding value in the inquiring unit.

The GIAC LAP and the four LSBs of the DCI (as A_{27-24}) are used as address input for the hopping sequence generator. The other input bits to the generator are the same as in the case of page response.

11.3.6 Connection state

In **CONNECTION** state, the clock bits to use in the channel hopping sequence generation are always according to the master clock, CLK. The address bits are taken from the Bluetooth device address of the master.