

LIMITED WARRANTY

The Little Tikes Company makes fun, high quality toys. We warrant to the original purchaser that this product is free of defects in materials or workmanship for one year * from the date of purchase (dated sales receipt is required for proof of purchase). At the sole election of The Little Tikes Company, the only remedies available under this warranty will be the replacement of the defective part or replacement of the product. This warranty is valid only if the product has been assembled and maintained per the instructions. This warranty does not cover abuse, accident, cosmetic issues such as fading or scratches from normal wear, or any other cause not arising from defects in material and workmanship. *The warranty period is three (3) months for daycare or commercial purchasers. U.S.A. and Canada: For warranty service or replacement part information, please visit our website at www.littletikes.com, call 1-800-321-0183 or write to: Consumer Service, The Little Tikes Company, 2180 Barlow Road, Hudson OH 44236, U.S.A. Some replacement parts may be available for purchase after warranty expires—contact us for details. Outside U.S.A. and Canada: Contact place of purchase for warranty service. This warranty gives you specific legal rights, and you may also have other rights, which vary from country/state to country/state. Some countries/states do not allow the exclusion or limitation of incidental or consequential damages, so the above limitation or exclusion may not apply to you.

BATTERY SAFETY INFORMATION

- Use only size "AA" (LR6) alkaline batteries (3 required).
- Charging of rechargeable batteries should only be done under adult supervision.
- Remove rechargeable batteries from the product before recharging.
- Do not mix old and new batteries.
- Do not mix alkaline, standard (carbon-zinc), or rechargeable batteries.
- Be sure to insert the batteries correctly and follow the toy and battery manufacturer's instruction.
- Always remove exhausted or dead batteries from the product.
- Dispose of dead batteries properly: do not burn or bury them.
- Do not attempt to recharge non-rechargeable batteries.
- Avoid short-circuiting battery terminals.
- Remove batteries before placing the unit into storage for a prolonged period of time.

FCC COMPLIANCE

NOTE: This equipment has been tested and found to comply with the limits for a Class B digital device, pursuant to Part 15 of the FCC Rules. These limits are designed to provide reasonable protection against harmful interference in a residential installation. This equipment generates, uses and can radiate radio frequency energy and, if not installed and used in accordance with the instructions, may cause harmful interference to radio communications. However, there is no guarantee that interference will not occur in a particular installation. If this equipment does cause harmful interference to radio or television reception, which can be determined by turning the equipment off and on, the user is encouraged to try to correct the interference by one or more of the following measures:

- Reorient or relocate the receiving antenna.
- Increase the separation between the equipment and receiver.
- Connect the equipment into an outlet on a circuit different from that to which the receiver is connected.
- Consult the dealer or an experienced radio/TV technician for help.

This device complies with Part 15 of the FCC Rules. Operation is subject to the following two conditions: (1) This device may not cause harmful interference, and (2) this device must accept any interference received, including interference that may cause undesired operation.

Caution: Modifications not authorized by the manufacturer may void users authority to operate this device.

This device contains licence-exempt transmitter(s)/receiver(s) that comply with Innovation, Science and Economic Development Canada's licence-exempt RSS(s). Operation is subject to the following two conditions: (1) This device may not cause interference. (2) This device must accept any interference, including interference that may cause undesired operation of the device.

CAN ICES-3 (B)/NMB-3(B).



'Let's care for the environment!'

The wheelie bin symbol indicates that the product must not be disposed of with other household waste. Please use designated collection points or recycling facilities when disposing of the item. Do not treat old batteries as household waste. Take them to a designated recycling facility.

Please keep this manual as it contains important information.



Printed in China
0222-0-E/INT

© The Little Tikes Company, an MGA Entertainment company.
LITTLE TIKES® is a trademark of Little Tikes in the U.S. and other countries.
All logos, names, characters, likenesses, images, slogans, and packaging appearance are the property of Little Tikes.

The Bluetooth® word mark and logos are registered trademarks owned by Bluetooth SIG, Inc. and any use of such marks by MGA Entertainment, Inc. is under license. Other trademarks and trade names are those of their respective owners.

Little Tikes Consumer Service
2180 Barlow Road
Hudson, Ohio 44236 U.S.A.
1-800-321-0183

MGA Entertainment UK Ltd.
50 Presley Way, Crownhill, Milton Keynes,
MK8 0ES, Bucks, UK
support@LittleTikesStore.co.uk
Tel: +0 800 521 558

MGA Entertainment (Netherlands) B.V.
Baronie 68-70, 2404 XG Alphen a/d Rijn
The Netherlands
Tel: +31 (0) 172 758038

Imported by MGA Entertainment Australia Pty Ltd
Suite 2.02, 32 Delhi Road
Macquarie Park NSW 2113
1300 059 676



little tikes

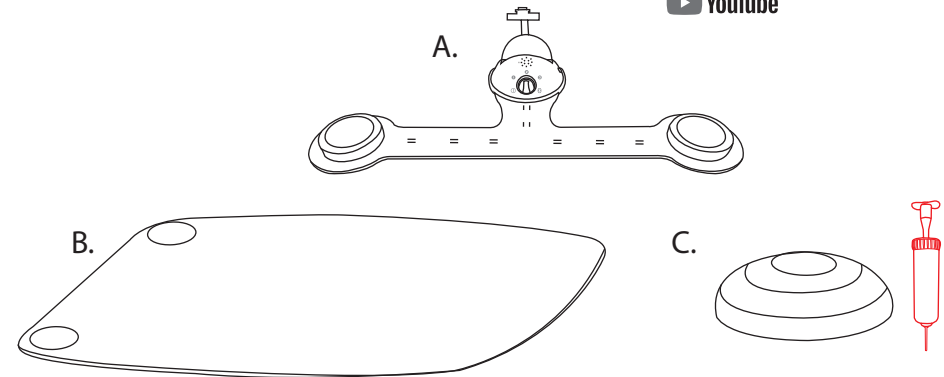
Pelican 3-in-1 Adventure Trainer™

SKU: 660948

AGES 3+
ADULT BATTERY INSTALLATION REQUIRED

CONTENTS

- A. Device Holder
- B. Reversible Mat
- C. Inflatable Ball with Air Pump

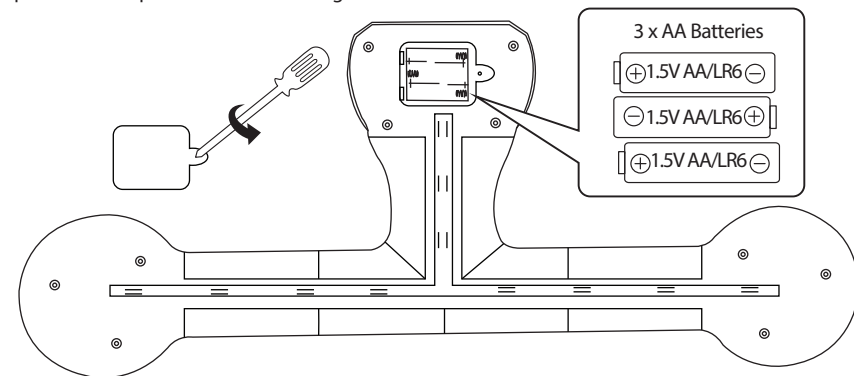


Illustrations are for reference only. Styles may vary from actual contents.
Please remove all packaging including tags, ties & tacking stitches before giving this product to a child.

BATTERY INSTALLATION

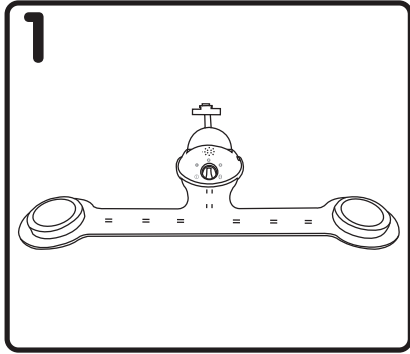
Before beginning, an adult must install fresh alkaline batteries. Here's how:

1. Using a Phillips screwdriver (not included) remove the screw and battery compartment cover from under the device holder.
2. Install three (3) 1.5V AA (LR6) alkaline batteries (not included) making sure the (+) and (-) ends face the proper direction as indicated inside the battery compartment.
3. Replace the compartment cover and tighten the screw.

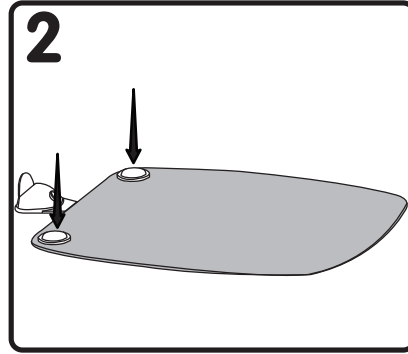


IMPORTANT: Make sure to place Pelican 3-in-1 Adventure Trainer™ on a flat surface and away from other objects. It is recommended to use a smart device with a protective case (not included), but it can be used with or without a case.

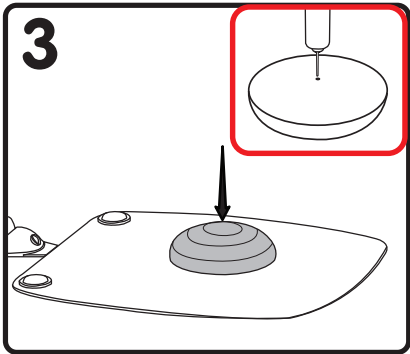
QUICK START



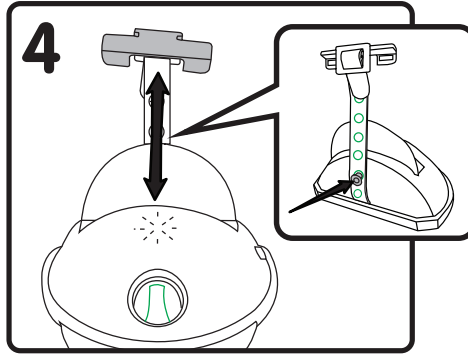
Place the device holder on a flat surface.



Unroll the mat and insert each corner into the buttons of the device holder. Mat can be used with either the solid color or graphics side facing up.

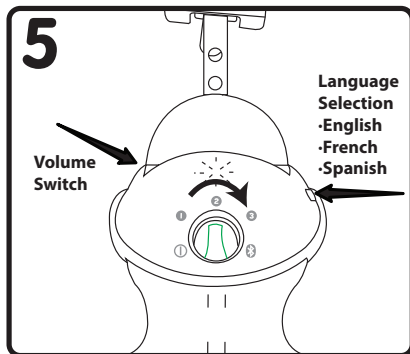


Locate the valve on the flat side of the ball. Use the included air pump to inflate the ball. Do not over-inflate. Then, place the ball in the middle of the mat.

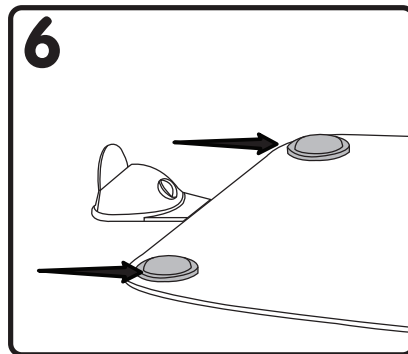


Slide your own device into the slot on the device holder and use the hook on the strap to hold the device in place. Then, adjust the strap by inserting one of the openings into the knob on the back of the device holder.

NOTE: While not necessary, if you need more length on the strap, pull down the strap from the buckle on the back of the hook.



Turn the dial on the device holder from the off (⓪) position to the desired mode to start your adventure. As soon as you turn the dial, the adventure will begin. Adjust the volume to low or high by moving the switch on the back of the device. To change the language, press and hold the button on the side until it chimes. See "Features" for all the different modes and how to connect to Bluetooth®.

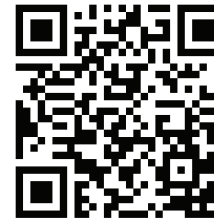


Push the left and right buttons for sounds and lights!

FEATURES

FREE Trainer & Adventure Videos!

Use your smart device to scan the code and easily access tons of fun videos!



Watch on
YouTube

Mode Selection:

Built-in Audio Adventures and Bluetooth®

- ⓪ OFF position.
- ① Move the dial on the device to number 1 and escape Rapter Island.
- ② Move the dial on the device to number 2 and discover hidden animals.
- ③ Move the dial on the device to number 3 and join the skateboard championship.
- 📶 Move the dial to this symbol to play your own music or to hear the video's audio! Follow the instructions below to connect your device.

📶 Bluetooth®

Connect your smart device.

1. Move the dial on the device to the Bluetooth® symbol.
2. Open the settings menu on your device.
3. Select Bluetooth® on your device and make sure it is on.
4. Your device will search for the Pelican 3-in-1 Adventure Trainer™. The buttons will blink in blue.
5. Select the name "Little Tikes 3 in 1 Trainer" to connect to your device. The buttons will blink in green when it has successfully connected.

IMPORTANT INFORMATION

⚠️ WARNING

- Adult supervision required. Do not leave children unattended.
- Ball should only be inflated by an adult.
- Only use the included air pump to inflate the ball. DO NOT use other devices with a compressor as it may burst the ball.
- It is recommended to use a smart device with a protective case (not included), but it can be used with or without a case.
- Do not expose the unit to moisture of any kind. Wipe the unit with a damp cloth to clean.
- Do not use the product if it is damaged or broken.
- Do not place the unit on a table.
- Use only on flat, level surfaces free of objects.
- To avoid burns, keep the child away from hot liquids, ranges, radiators, space heaters, fireplaces, etc.
- Never use near steps, pools, hot surfaces, or areas that may be hazardous to a child.
- Never use near a staircase.
- Never leave child unattended. Always keep child in view while using the product.
- Never place the product near the windows where cords from blinds or drapes may strangle child.
- If the unit stops working properly or doesn't work as it should, turn off and turn it back on. If there is still a problem, replace the batteries.
- **WARNING: This toy produces flashes that may trigger epilepsy in sensitised individuals.**
- **Frequency band: 2402–2480 MHz, Max. transmit power: 2.3 dBm**