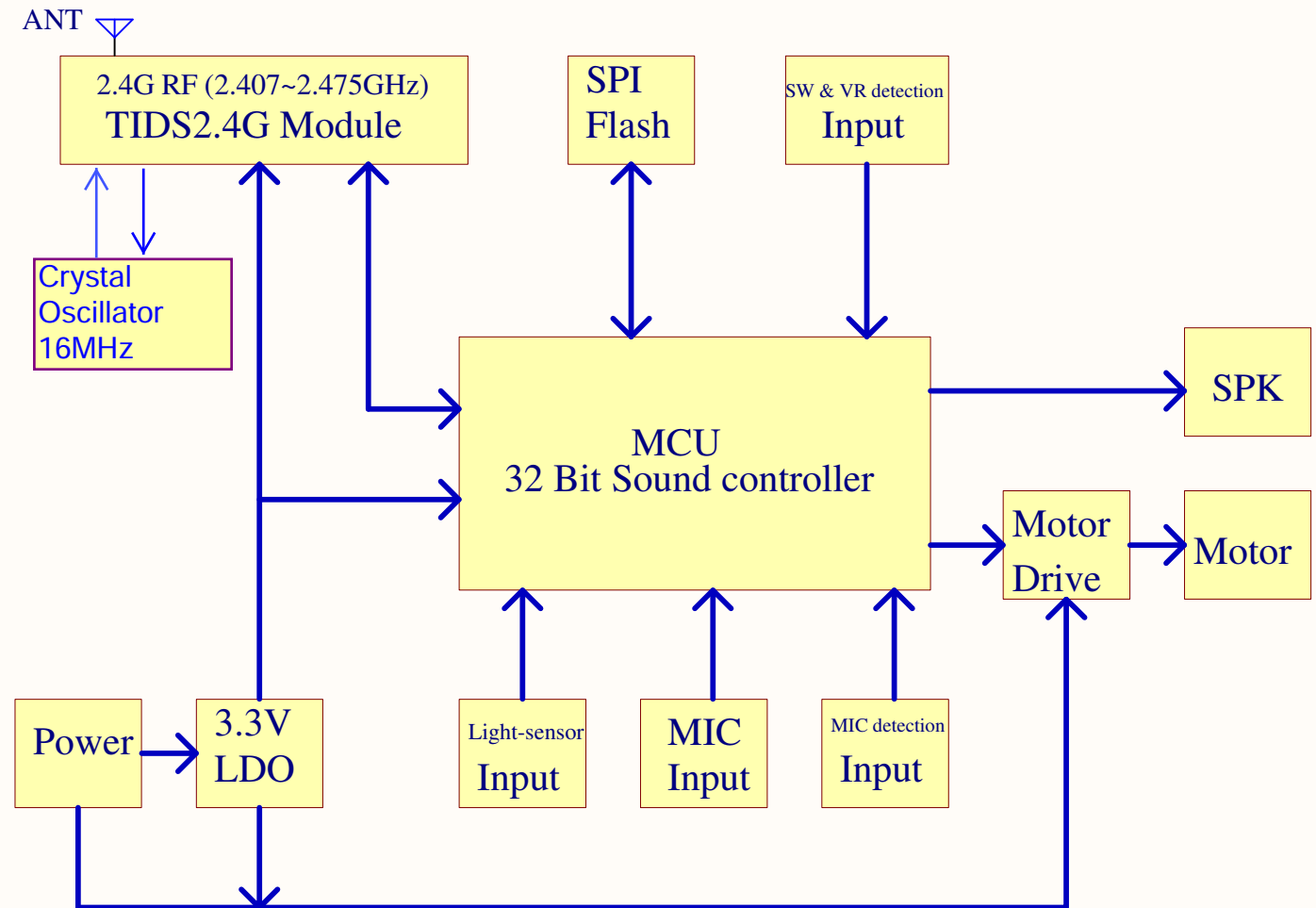


RX Part



657719 Block diagram