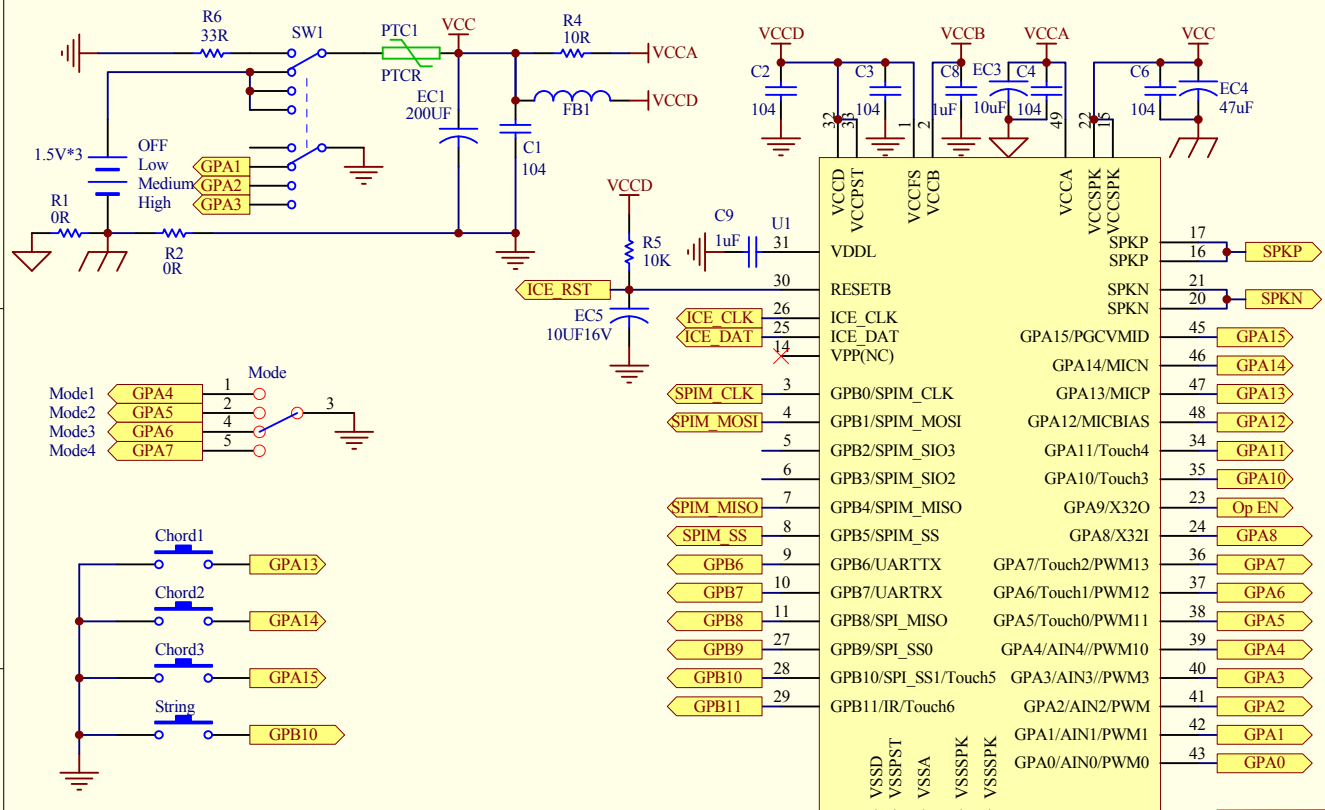
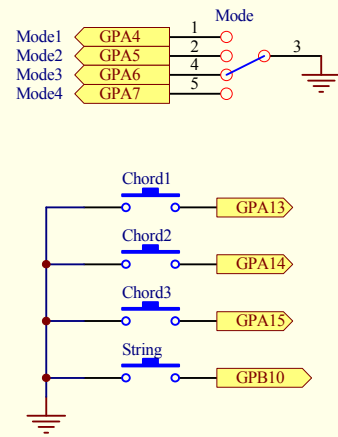


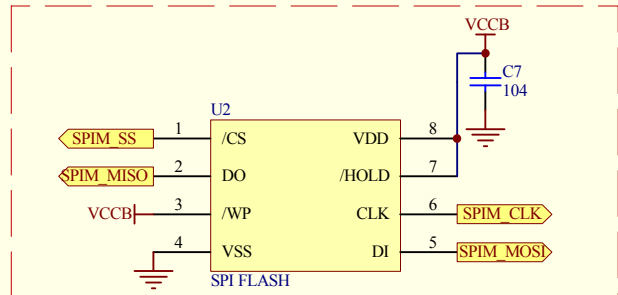
D



C

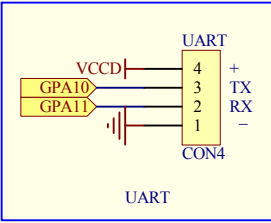
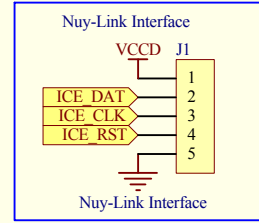


B

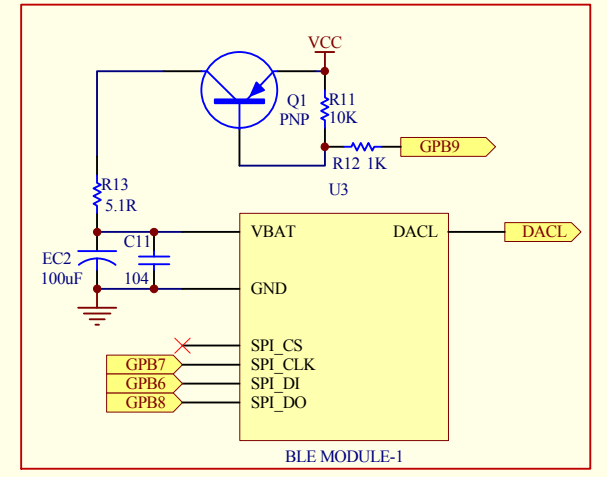


A

Item No: 654794  
Item Name: My Jam- Acoustic Guitar

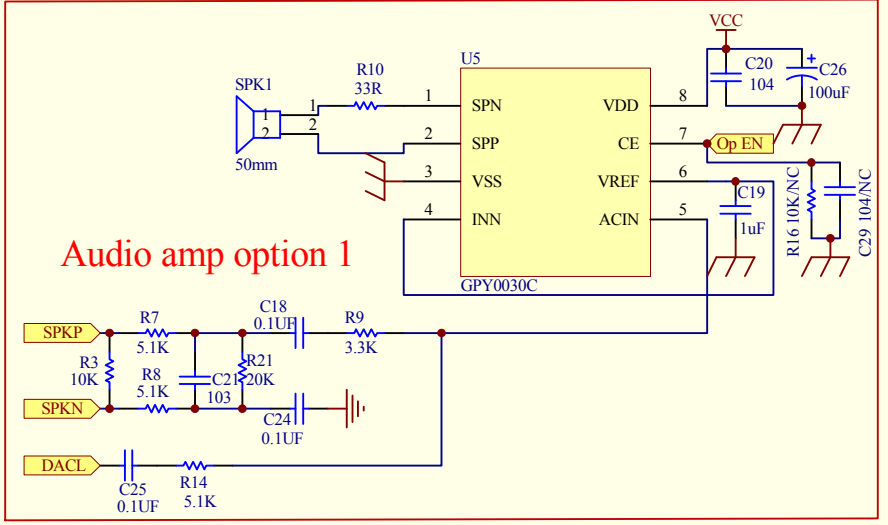


D

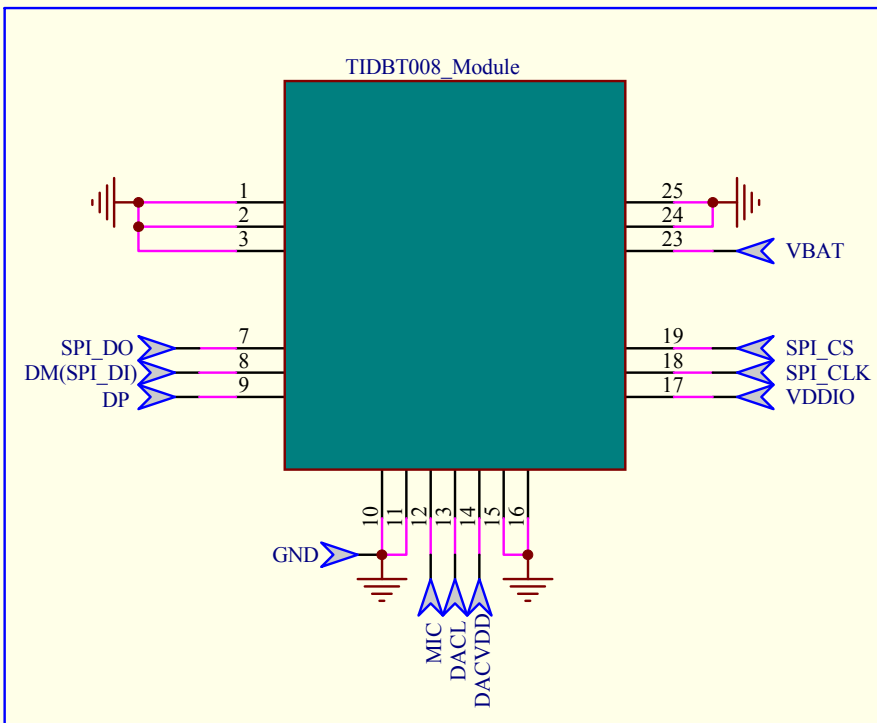
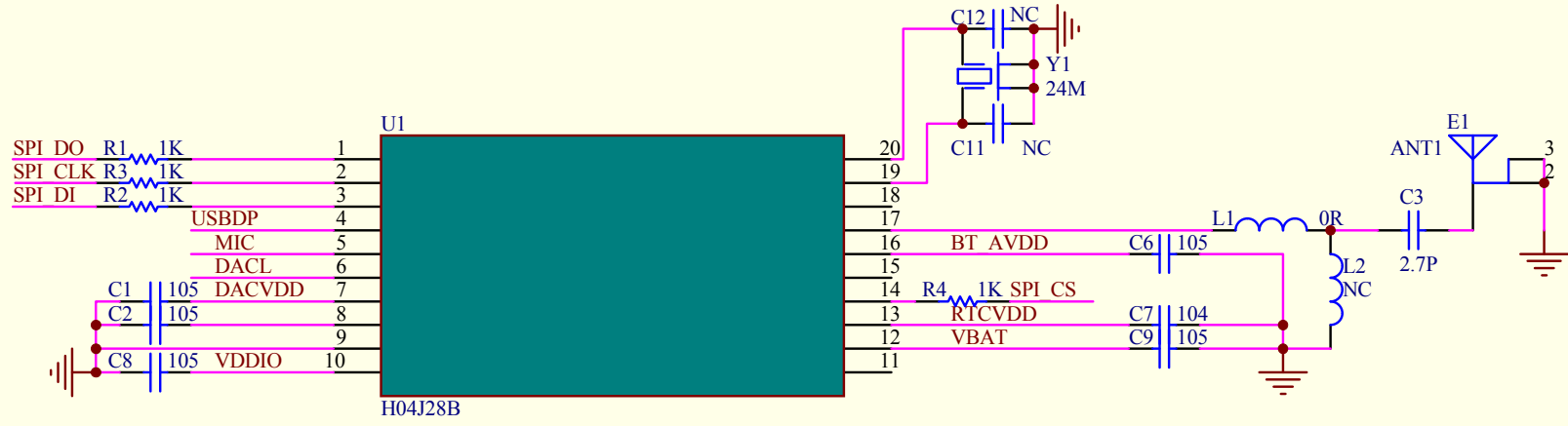


C

B



A



Title			<b>Teamway LTD</b>		
Size	Number		Revision		
A4	<b>TIDBT008</b>		<b>V1.2</b>		
Date:	26-Oct-2020		Sheet of		
File:	D:\WORK\TIDB83 Teamway BLE(TIDBT008) Teamway BLE V1.DDB				