

### LIMITED WARRANTY

The Little Tikes Company makes fun, high quality toys. We warrant to the original purchaser that this product is free of defects in materials or workmanship for one year \* from the date of purchase (dated sales receipt is required for proof of purchase). At the sole election of The Little Tikes Company, the only remedies available under this warranty will be the replacement of the defective part or replacement of the product. This warranty is valid only if the product has been assembled and maintained per the instructions. This warranty does not cover abuse, accident, cosmetic issues such as fading or scratches from normal wear, or any other cause not arising from defects in material and workmanship. \*The warranty period is three (3) months for daycare or commercial purchasers. U.S.A and Canada: For warranty service or replacement part information, please visit our website at www.littletikes.com, call 1-800-321-0183 or write to: Consumer Service, The Little Tikes Company, 2180 Barlow Road, Hudson OH 44236, U.S.A. Some replacement parts may be available for purchase after warranty expires—contact us for details. Outside U.S.A and Canada: Contact place of purchase for warranty service. This warranty gives you specific legal rights, and you may also have other rights, which vary from country/state to country/state. Some countries/states do not allow the exclusion or limitation of incidental or consequential damages, so the above limitation or exclusion may not apply to you.



SKU: 654794EUC

AGES 3+  
ADULT SUPERVISION RECOMMENDED  
ADULT BATTERY INSTALLATION REQUIRED

### BATTERY SAFETY INFORMATION

- Use only size “AA” (LR6) alkaline batteries (3 required).
- Charging of rechargeable batteries should only be done under adult supervision.
- Remove rechargeable batteries from the product before recharging.
- Do not mix old and new batteries.
- Do not mix alkaline, standard (carbon-zinc), or rechargeable batteries.
- Be sure to insert the batteries correctly and follow the toy and battery manufacturer’s instruction.
- Always remove exhausted or dead batteries from the product.
- Dispose of dead batteries properly: do not burn or bury them.
- Do not attempt to recharge non-rechargeable batteries.
- Avoid short-circuiting battery terminals.
- Remove batteries before placing the unit into storage for a prolonged period of time.

### FCC COMPLIANCE

NOTE: This equipment has been tested and found to comply with the limits for a Class B digital device, pursuant to Part 15 of the FCC Rules. These limits are designed to provide reasonable protection against harmful interference in a residential installation. This equipment generates, uses and can radiate radio frequency energy and, if not installed and used in accordance with the instructions, may cause harmful interference to radio communications. However, there is no guarantee that interference will not occur in a particular installation. If this equipment does cause harmful interference to radio or television reception, which can be determined by turning the equipment off and on, the user is encouraged to try to correct the interference by one or more of the following measures:

- Reorient or relocate the receiving antenna.
- Increase the separation between the equipment and receiver.
- Connect the equipment into an outlet on a circuit different from that to which the receiver is connected.
- Consult the dealer or an experienced radio/TV technician for help.

This device complies with Part 15 of the FCC Rules. Operation is subject to the following two conditions: (1) This device may not cause harmful interference, and (2) this device must accept any interference received, including interference that may cause undesired operation.

Caution: Modifications not authorized by the manufacturer may void users authority to operate this device.

CAN ICES-3 (B)/NMB-3(B).

Frequency band: 2402-2480MHz

Max. transmit power: -1.5 dBm

This device contains licence-exempt transmitter(s)/receiver(s) that comply with Innovation, Science and Economic Development Canada’s licence-exempt RSS(s). Operation is subject to the following two conditions:

1. This device may not cause interference.
2. This device must accept any interference, including interference that may cause undesired operation of the device.



‘Let’s care for the environment!’

The wheelie bin symbol indicates that the product must not be disposed of with other household waste. Please use designated collection points or recycling facilities when disposing of the item. Do not treat old batteries as household waste. Take them to a designated recycling facility.

Please keep this manual as it contains important information.



Printed in China  
0421-0-EUC

© The Little Tikes Company, an MGA Entertainment company. LITTLE TIKES® and MY REAL JAM™ are trademarks of Little Tikes in the U.S. and other countries. All logos, names, characters, likenesses, images, slogans, and packaging appearance are the property of Little Tikes.

The Bluetooth® word mark and logos are registered trademarks owned by Bluetooth SIG, Inc. and any use of such marks by MGA Entertainment, Inc. is under license. Other trademarks and trade names are those of their respective owners.

**Little Tikes Consumer Service**  
2180 Barlow Road  
Hudson, Ohio 44236 U.S.A.  
1-800-321-0183

**MGA Entertainment UK Ltd.**  
50 Presley Way, Crownhill, Milton  
Keynes, MK8 0ES, Bucks, UK  
support@LittleTikesStore.co.uk  
Tel: +0 800 521 558

**Imported by MGA Entertainment  
Australia Pty Ltd**  
Suite 2.02, 32 Delhi Road  
Macquarie Park NSW 2113  
1300 059 676

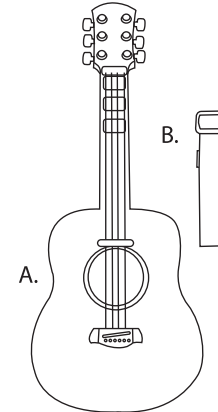


www.littletikes.com  
www.littletikes.co.uk  
www.littletikes.com.au

### ACOUSTIC GUITAR

### CONTENTS

- A. Acoustic Guitar
- B. Adjustable Strap

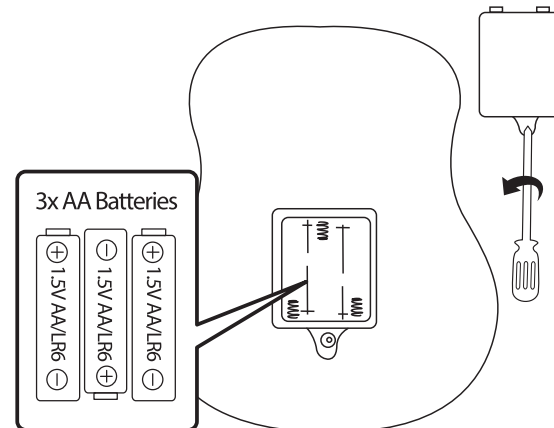


Illustrations are for reference only. Styles may vary from actual contents. Please remove all packaging including tags, ties & tacking stitches before giving this product to a child.

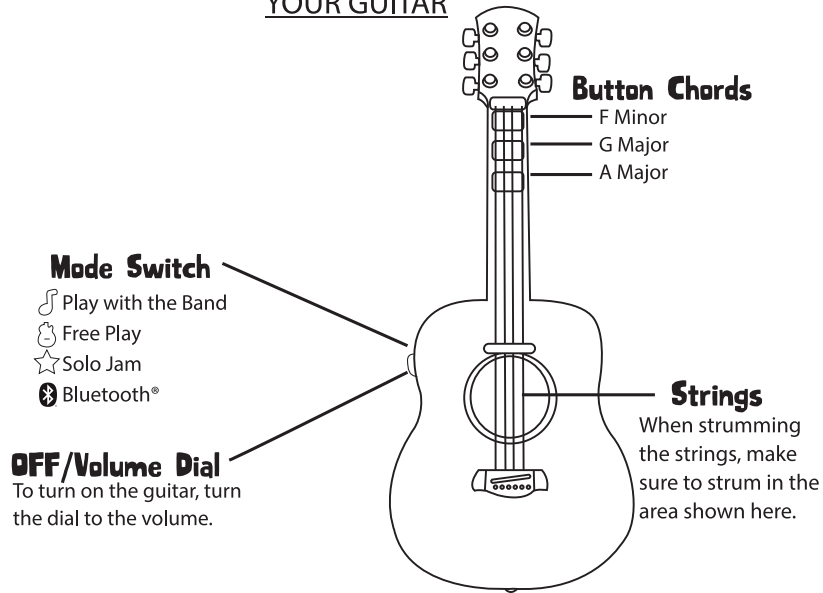
### BATTERY REPLACEMENT

**The batteries included in the unit are for in-store demonstration. Before playing, an adult must install fresh alkaline batteries (not included) in the unit. Here’s how:**

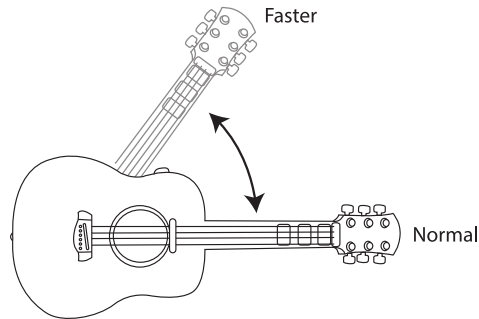
1. Using a Phillips screwdriver (not included), remove the screw and battery compartment cover located on the back of the guitar.
2. Install three (3) fresh 1.5V AA (LR6) alkaline batteries (not included) making sure the (+) and (-) ends face the proper direction as indicated inside the battery compartment.
3. Replace the compartment covers and tighten the screws.



## YOUR GUITAR

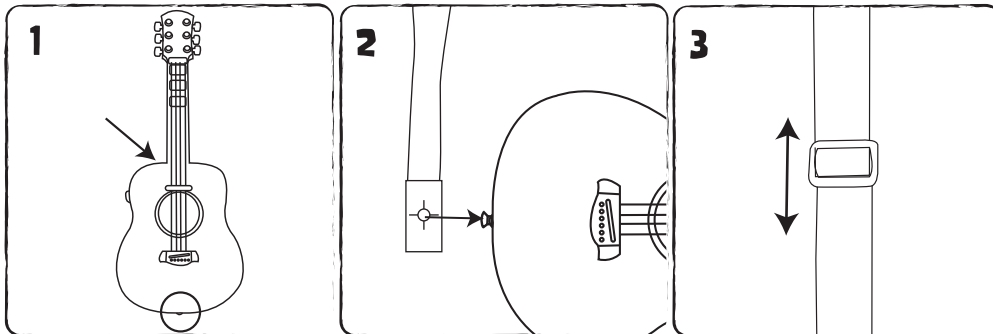


**Motion Sensor**  
Tilt the guitar to control the speed.  
 • Tilt it 55 to approximately 125 degrees up to go faster.  
 • Tilt it back down to its original position to go back to its normal speed.



## ATTACHING THE STRAP

1. Locate both pins on the guitar.  
NOTE: The second pin is located on the back.
2. Insert the pinhole on the straps into the pins on the guitar.
3. To adjust the strap, pull on the strap and slide the buckle up or down.



# 4 SUPERSTAR PLAY MODES

Locate the mode switch on the guitar and move the switch to the desired mode.



### PLAY WITH THE BAND

Instantly join the band and live out your musical dreams! While in this mode, the band will play in the background. Strum the strings to add the guitar to the band.



### FREE PLAY

Compose your own tune! While in this mode, strum the strings and press the chord buttons to play rhythm guitar without the band.



### SOLO JAM

Jam out to your own customized guitar solo! While in this mode, strum the strings and press the chord buttons to play solo without the band.



### Bluetooth®

Jam out to your favorite song by connecting the guitar to your device. Here's how:

1. Move the Mode Switch to the Bluetooth® icon. It will continuously play music while it is searching for your device.
2. Open the settings menu on your device.
3. Select Bluetooth® on your device and make sure it is on.
4. Your device will search for the guitar.
5. Select the name "MGA Acoustic Guitar" to connect your device.

**Note: The instrument can only connect to one smart device at a time. You will not be able to connect two devices to the same instrument.**

## Jam out to your favorite song!

When using your device, follow the below steps.

1. Connect the device to your guitar. Follow the steps under Bluetooth®.
2. Make sure the volume on your device is set to the maximum volume.
3. Choose your favorite song.
4. Make sure the song is on pause.
5. Continuously strum the strings to start the song. If you stop playing the guitar, the song will continue for a few seconds and then pause. Play the guitar again to continue the song.

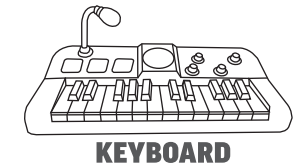
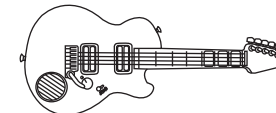
For the best experience, choose a song that fits the instrument's genre.

## TROUBLESHOOTING

PROBLEM	POSSIBLE SOLUTIONS
Instrument isn't playing the device's song.	<ul style="list-style-type: none"> <li>• Make sure the device is connected through Bluetooth®.</li> <li>• Make sure the volume on the device is turned all the way up.</li> <li>• After choosing a song, exit the app but don't close it. Alternatively, you can put the phone to sleep, but make sure the app is still running in the background.</li> </ul>
Instrument stopped working.	<ul style="list-style-type: none"> <li>• The batteries included in the instrument are for in-store demonstration. It is recommended to replace the batteries before playing.</li> <li>• Make sure it is on and the volume is turned up.</li> </ul>

## Start your own band!

**COLLECT THEM ALL!**  
EACH SOLD SEPARATELY.



## IMPORTANT INFORMATION

- The batteries included are for in-store demonstration. It is recommended to change the batteries before playing.
- To conserve battery power, always turn the unit off by moving the dial to the off (⓪) position.
- After 30 seconds of no activity, the unit will go into sleep mode. Strum the strings or press the chord buttons to wake it up.
- Only attach the strap included to the guitar included in this kit.