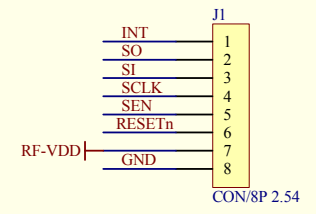
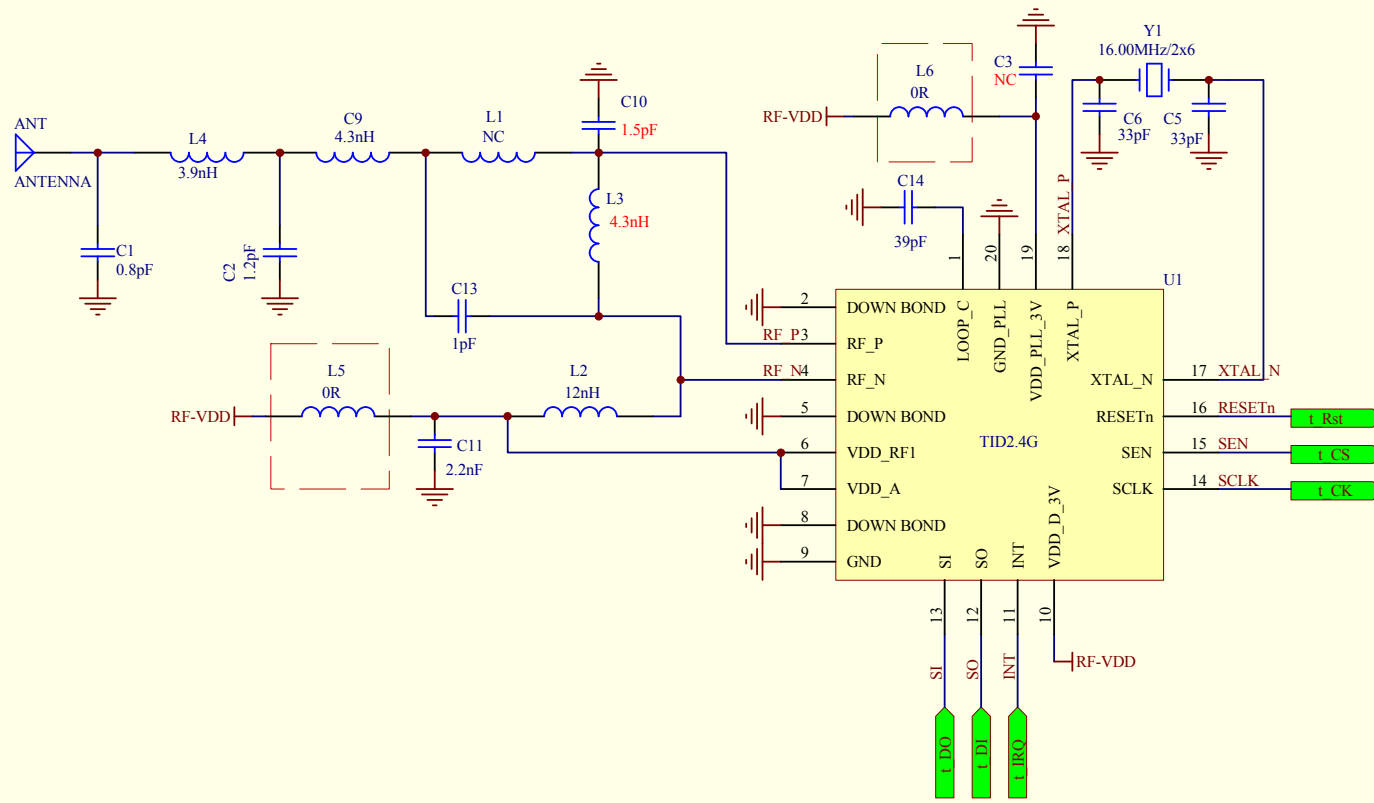


Title		
652707 TX		
Size	Number	Revision
B		
Date:	16-Jul-2019	Sheet of
File:	E:\Work\飞猪\652707\PCB\652707\Rev4\01main.dwg	6



Title		
Size	Number	Revision
A4		
Date:	5-Nov-2019	Sheet of
File:	D:\WORK\出规格书&BOM\TWM2.4G Module\HW24-1.DDB	