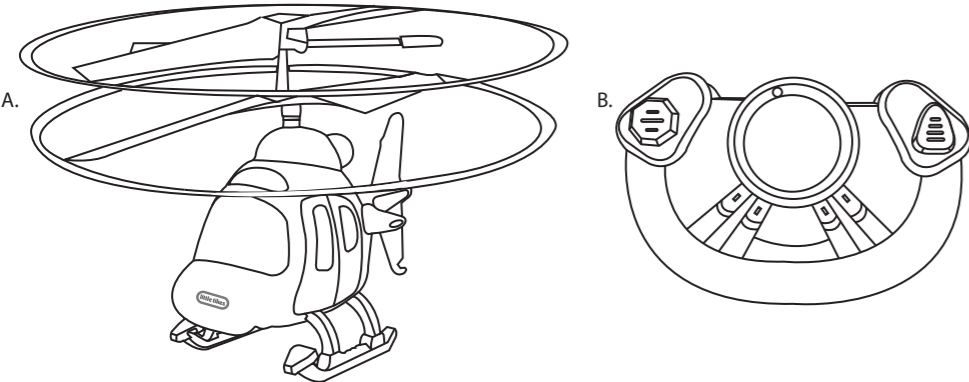


**CONTENTS**

- A. 1 Helicopter
- B. 1 Remote Control



Illustrations are for reference only. Styles may vary from actual contents.

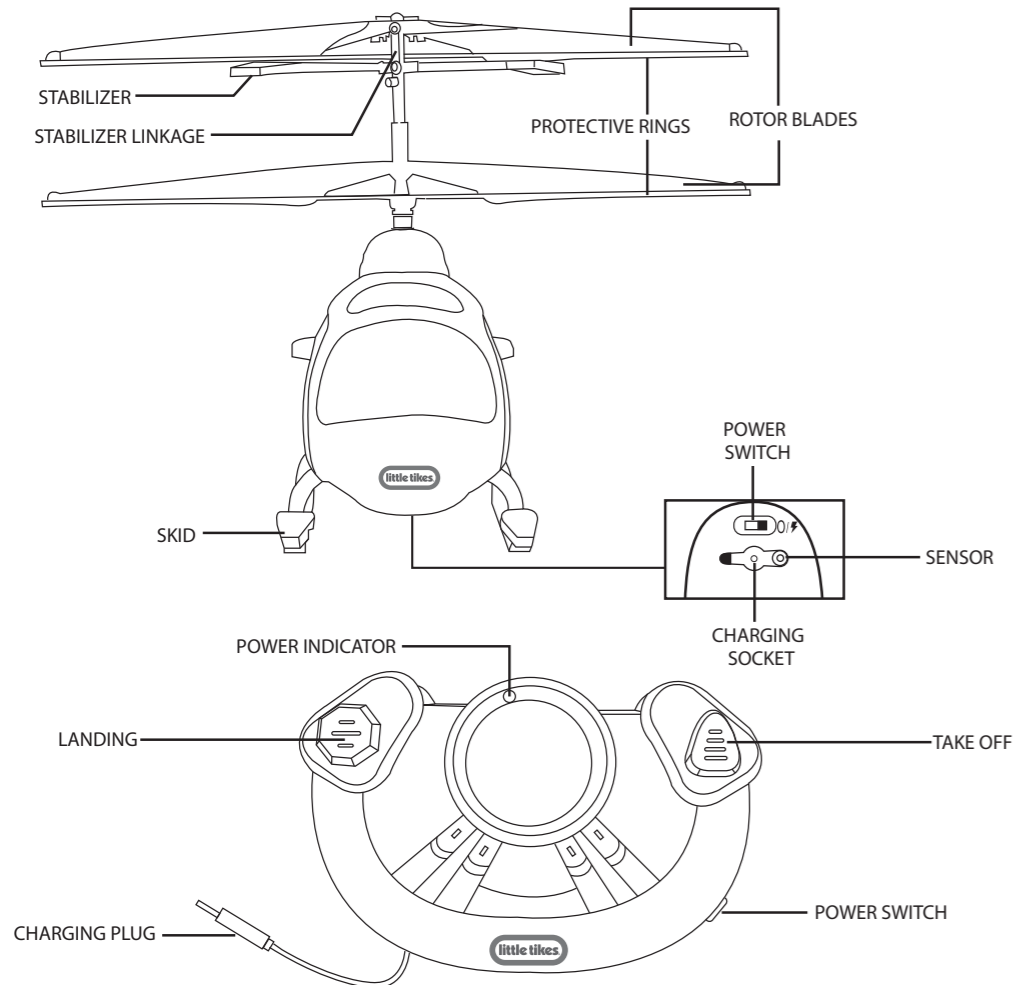
**⚠ CAUTION: KEEP FINGERS AWAY FROM SPINNING PROPELLERS**

**QUICK START**

NOTE: Please read all instructions before use and keep this manual for future reference.

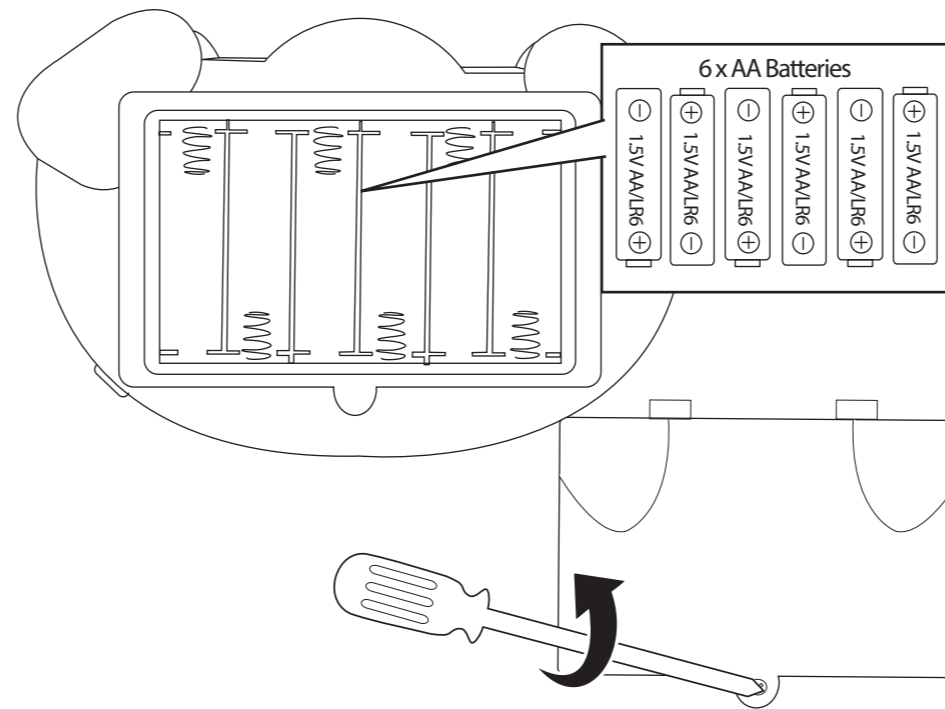
- 1) Install 6 "AA" (LR6) batteries in the remote control.
- 2) Charge the helicopter's battery for 40-50 minutes.
- 3) Turn on the helicopter.
- 4) Turn on the remote control to pair with helicopter.
- 5) Calibrate sensor by holding *LANDING* and *TAKE OFF* buttons at the same time until the green light flashes.
- 6) Use the buttons and turn the remote control left or right to fly your helicopter in an open, indoor area.

**HELICOPTER AND REMOTE CONTROL PARTS**

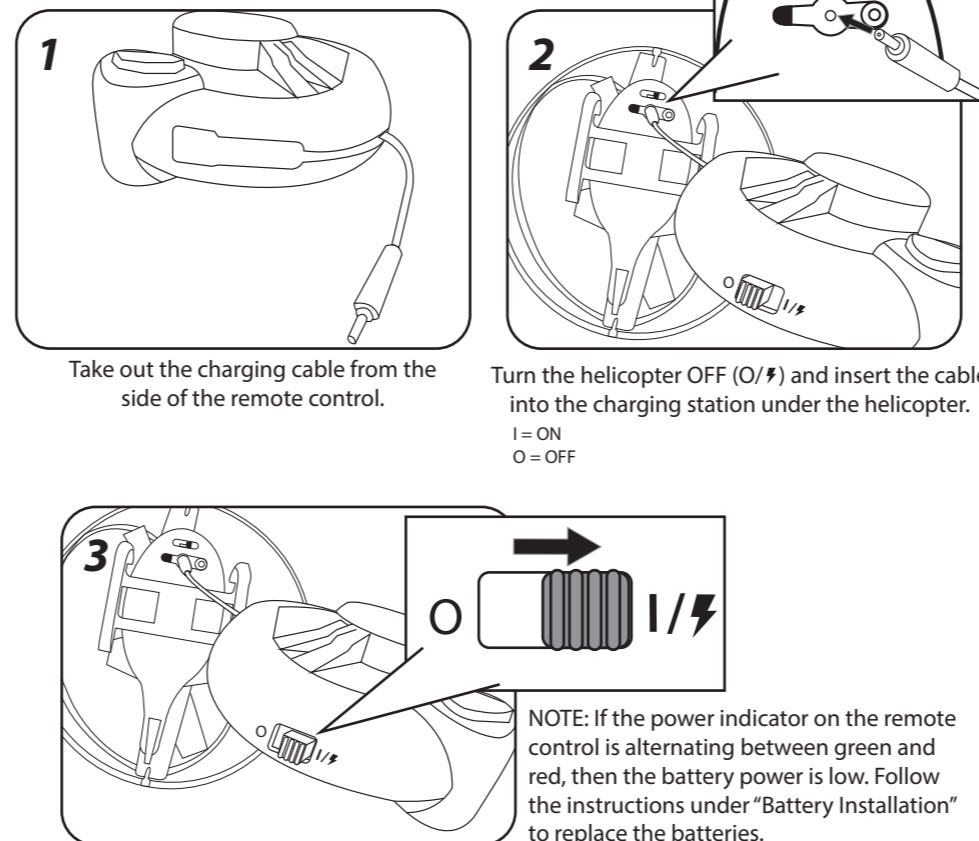


**BATTERY INSTALLATION**

- Before beginning, an adult must install fresh alkaline batteries. Here's how:
1. Using a Phillips screwdriver (not included), remove the screw and battery compartment cover located on the back of the remote control.
  2. Install six (6) fresh 1.5V AA (LR6) alkaline batteries (not included), making sure the (+) and (-) ends face the proper direction as indicated inside the battery compartment.
  3. Replace the compartment cover and tighten the screw.

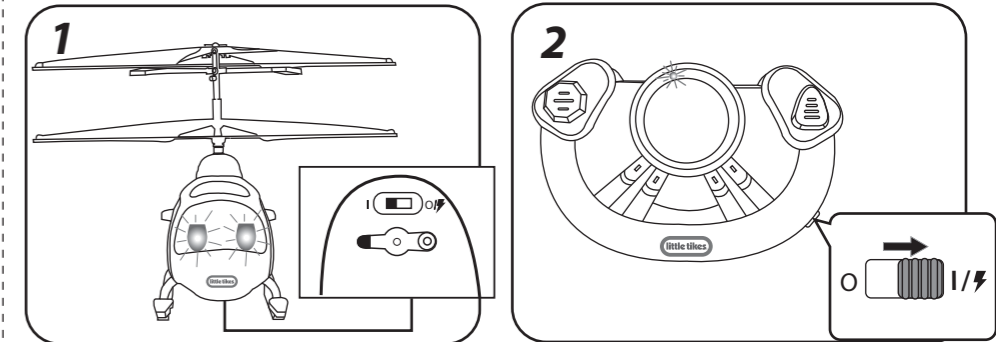


**CHARGING THE HELICOPTER**



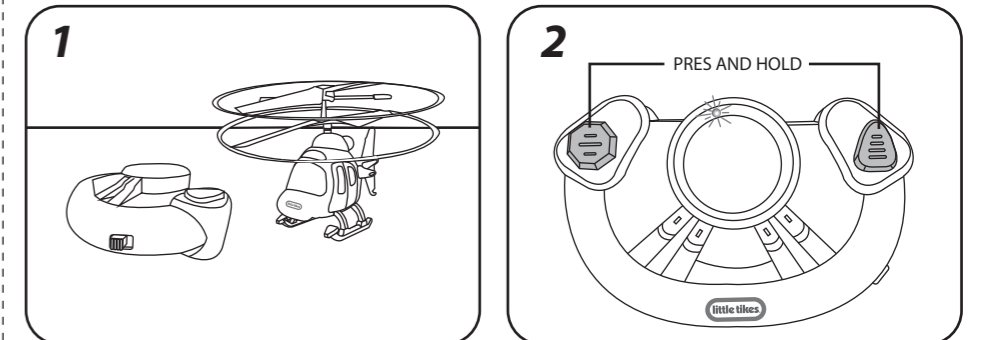
**PAIRING HELICOPTER AND REMOTE CONTROL**

Before beginning, the helicopter and remote control will need to be paired. Here's how:



**CALIBRATE SENSOR**

If playing for the first time or if it hasn't been played for a long period of time, the sensor will need to be calibrated.



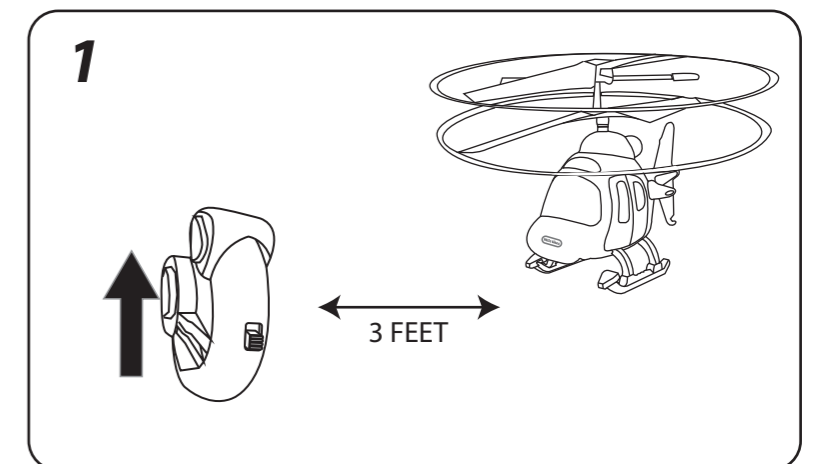
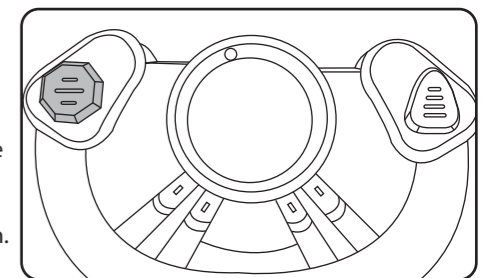
**FLYING LESSONS**

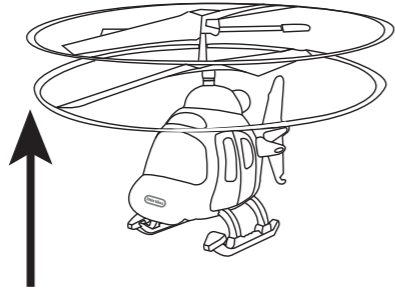
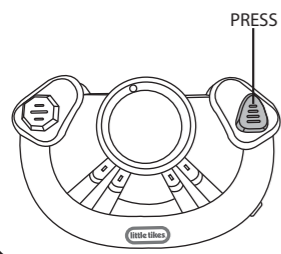
**HELPFUL FLYING TIPS**

- If the helicopter crashes, switch the remote control and the helicopter to the OFF positions. Carefully check that no damage was done to the helicopter in the crash before turning the unit on again.
- For best results, use the helicopter away from bright lights to ensure the receiver can detect the remote control.
- Do not cover the sensor on the helicopter.
- Keep the remote control within 15 feet (5 meters) of the helicopter to avoid loss of reception.

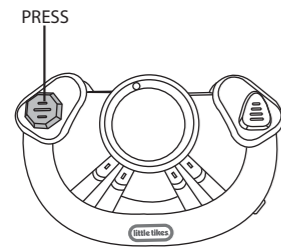
**EMERGENCY STOP:**

If the helicopter crashes, press and hold the *LANDING* button, or press the *LANDING* and *TAKE OFF* buttons at the same time to stop the propellers. Turn the helicopter and remote control off. Examine the helicopter for any damage before switching it on and flying again.

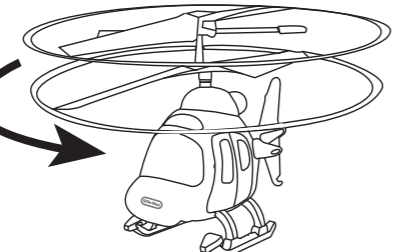
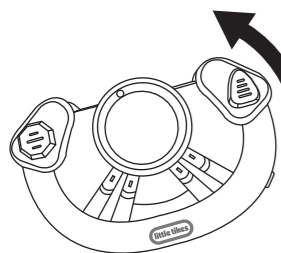


**2**

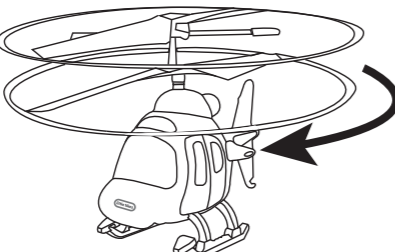
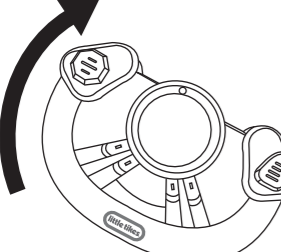
Press the TAKE OFF button to make the helicopter fly upward to height level 1. Press the button again to elevate the helicopter to height level 2, and then it will go back to height level 1 after five (5) seconds.

**3**

Press the LANDING button once to make the helicopter fly downward as well as land. Press and hold the button for two seconds for an EMERGENCY STOP.

**4**

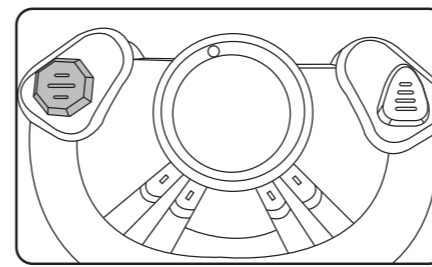
Tilt the remote control to the left to make the helicopter turn left. The left light on the helicopter will flash.

**5**

Tilt the remote control to the right to make the helicopter turn right. The right light on the helicopter will flash.

**EMERGENCY STOP:**

If the helicopter crashes, press and hold the LANDING button, or press the LANDING and TAKE OFF buttons at the same time to stop the propellers. Turn the helicopter and remote control off. Examine the helicopter for any damage before switching it on and flying again.

**TROUBLESHOOTING****The helicopter does not respond:**

- Check that the helicopter and remote control are both turned to the "ON" position.
- The batteries in the remote control may need replacing or the helicopter may need to be recharged.
- The helicopter may have crashed. Press and hold the landing button one time.

**The helicopter suddenly stops and falls to the ground:**

- The helicopter may not be picking up signals from the remote control. Point the remote at an upward position during use.
- The batteries in the remote control may need replacing or the helicopter may need to be recharged.

**The helicopter loses control:**

- The helicopter may be picking up signals from another remote control source. Use the helicopter away from other electronic devices, or point the remote control and helicopter in another direction, away from other controllable sources.
- The IR receivers in the helicopter may be affected by bright lights. Only operate the helicopter away from direct lighting. The area should be lit sufficiently to see the helicopter and surrounding objects.
- An object may be blocking the signal between the remote and the helicopter. Make sure there is an open path between the remote control and helicopter at all times.
- The helicopter may be out of range. It has a range of 15 feet (5 meters). Do not operate the helicopter more than 15 feet away from the remote control to avoid crashing and damaging the unit.

**The helicopter rotors or other parts have broken or are missing:**

- Do not attempt to fly the helicopter with broken or missing parts.

**WARNING:**

- Do not touch the running rotors. Keep hands, hair and loose clothing like shoestrings away from moving parts to avoid injury.
- Never hold or throw any objects into the running rotors.
- Risk of eye injuries. Keep a safety distance of at least 3 feet between you and the helicopter.
- Do not fly the helicopter around people or pets.
- Use indoors only. Do not fly the helicopter in the vicinity of water or power lines.
- Never make modifications to the product.
- Before each use, examine the plug, enclosure, remote and other parts for damage. Never operate this product if it has damaged parts.
- Always keep your eyes on the helicopter during use.
- Do not land or crash the helicopter near your head, your body or other people or pets.
- Stand while flying the helicopter to get out of the way quickly if necessary.

**IMPORTANT INFORMATION**

- Do not submerge the helicopter or remote control in water.
- Flying a helicopter takes skill and should be learned under direct supervision of an experienced adult.
- For best results, use the helicopter in a large, open room without obstacles such as lamps, loose objects, etc.
- Fly the helicopter over a light floor. A dark floor will affect the height detection sensor located on the bottom of the helicopter.
- Always switch the helicopter and remote control to the "OFF" position after use.
- Before recharging, allow the LiPo battery in the helicopter to cool for at least 10 minutes after use.
- Keep the product out of direct sunlight and avoid using in direct heat.
- Wipe the product with a damp cloth to clean. Air dry thoroughly in a well-ventilated area before storing.
- New alkaline batteries are recommended to use in the remote control to obtain best and maximum performance.
- Frequency band(s): 2418MHz-2472MHz
- Maximum radio frequency power transmitted : remote control - 6.79dBm, helicopter - 6.48dBm

**LIMITED WARRANTY**

The Little Tikes Company makes fun, high quality toys. We warrant to the original purchaser that this product is free of defects in materials or workmanship for one year \* from the date of purchase (dated sales receipt is required for proof of purchase). At the sole election of The Little Tikes Company, the only remedies available under this warranty will be the replacement of the defective part or replacement of the product. This warranty is valid only if the product has been assembled and maintained per the instructions. This warranty does not cover abuse, accident, cosmetic issues such as fading or scratches from normal wear, or any other cause not arising from defects in material and workmanship. \*The warranty period is three (3) months for daycare or commercial purchasers. U.S.A and Canada: For warranty service or replacement part information, please visit our website at [www.littletikes.com](http://www.littletikes.com), call 1-800-321-0183 or write to: Consumer Service, The Little Tikes Company, 2180 Barlow Road, Hudson OH 44236, U.S.A. Some replacement parts may be available for purchase after warranty expires—contact us for details. Outside U.S.A and Canada: Contact place of purchase for warranty service. This warranty gives you specific legal rights, and you may also have other rights, which vary from country/state to country/state. Some countries/states do not allow the exclusion or limitation of incidental or consequential damages, so the above limitation or exclusion may not apply to you.

**LiPo BATTERY INFORMATION**

This helicopter is equipped with a LiPo rechargeable battery. Please pay attention to the following cautions for safety use:

- Before recharging, allow the LiPo battery in the helicopter to cool for at least 10 minutes after use.
- Do not dispose of the battery in fire or extreme heat.
- Do not use or leave the battery near a heat source such as a fire or a heater.
- Do not strike or throw the battery against hard surfaces.
- Do not immerse the battery in water, and keep the battery in a cool, dry place.
- When recharging, only use the battery charger specifically included for that purpose.
- Do not over-charge the battery.
- Do not connect the battery to an electrical outlet.
- Do not directly solder the battery and pierce the battery with a nail or other sharp object.
- Do not disassemble or alter the battery.
- Charge the battery every 6 months and as necessary.
- Do not transport or store the battery with metal objects such as necklaces, hairpins, etc.
- Please recycle a used battery after covering the battery terminals with insulation tape or inserting it into an individual poly bag.
- Battery inside the helicopter is not replaceable.

Note:

- Under the environment with electrostatic discharge, the product may malfunction and require the user to reset the product.
- This product must only be used with the recommended charger.

**BATTERY SAFETY INFORMATION**

- Use only size "AA" (LR6) alkaline batteries (6 required).
- Charging of rechargeable batteries should only be done under adult supervision.
- Remove rechargeable batteries from the product before recharging.
- Do not mix old and new batteries.
- Do not mix alkaline, standard (carbon-zinc), or rechargeable batteries.
- Be sure to insert the batteries correctly and follow the toy and battery manufacturer's instruction.
- Always remove exhausted or dead batteries from the product.
- Dispose of dead batteries properly: do not burn or bury them.
- Do not attempt to recharge non-rechargeable batteries.
- Avoid short-circuiting battery terminals.
- Remove batteries before placing the unit into storage for a prolonged period of time.

**FCC COMPLIANCE**

NOTE: This equipment has been tested and found to comply with the limits for a Class B digital device, pursuant to Part 15 of the FCC Rules. These limits are designed to provide reasonable protection against harmful interference in a residential installation. This equipment generates, uses and can radiate radio frequency energy and, if not installed and used in accordance with the instructions, may cause harmful interference to radio communications. However, there is no guarantee that interference will not occur in a particular installation. If this equipment does cause harmful interference to radio or television reception, which can be determined by turning the equipment off and on, the user is encouraged to try to correct the interference by one or more of the following measures:

- Reorient or relocate the receiving antenna.
- Increase the separation between the equipment and receiver.
- Connect the equipment into an outlet on a circuit different from that to which the receiver is connected.
- Consult the dealer or an experienced radio/TV technician for help.

This device complies with Part 15 of the FCC Rules. Operation is subject to the following two conditions: (1) This device may not cause harmful interference, and (2) this device must accept any interference received, including interference that may cause undesired operation.

Caution: Modifications not authorized by the manufacturer may void users authority to operate this device. This device contains licence-exempt transmitter(s)/receiver(s) that comply with Innovation, Science and Economic Development Canada's licence-exempt RSS(s). Operation is subject to the following two conditions: (1) This device may not cause interference. (2) This device must accept any interference, including interference that may cause undesired operation of the device.

CAN ICES-3 (B)/NMB-3(B).



'Let's care for the environment!'

The wheelie bin symbol indicates that the product must not be disposed of with other household waste. Please use designated collection points or recycling facilities when disposing of the item. Do not treat old batteries as household waste. Take them to a designated recycling facility.

Please keep this manual as it contains important information.



**Little Tikes Consumer Service**  
2180 Barlow Road  
Hudson, Ohio 44236 U.S.A.  
1-800-321-0183

**MGA Entertainment UK Ltd**  
50 Presley Way  
Crownhill  
Milton Keynes  
MK8 0ES  
Bucks, UK  
0800 521 558

**MGA Entertainment (Netherlands) B.V.**  
Klipperak 201, 2411 ND Bodergraven, NL  
Tel: +31 (0) 172-758 038  
E-mail: [klantenservice@mgae.com](mailto:klantenservice@mgae.com)



[www.littletikes.com](http://www.littletikes.com)  
[www.littletikes.co.uk](http://www.littletikes.co.uk)

**Imported by MGA Entertainment Australia Pty Ltd**  
Suite 2.02, 32 Delhi Road  
Macquarie Park NSW 2113  
1300 059 676