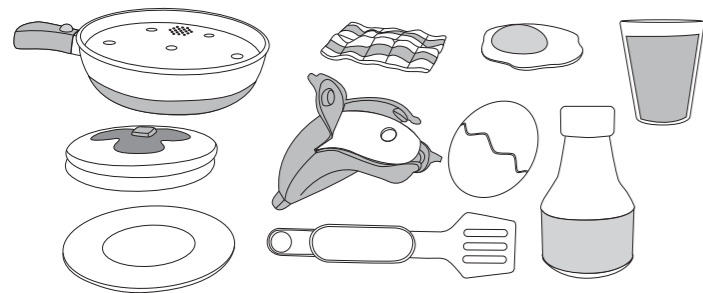




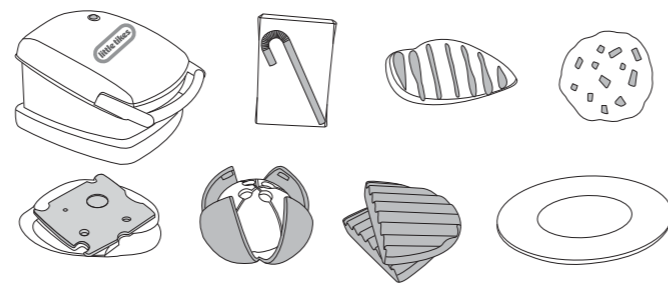
OTHER FUN WAYS TO PLAY

Items in this playset feature interactive play with other Shop 'n Learn™ products (not included)!
Learn more at www.littletikes.com/shopnlearn

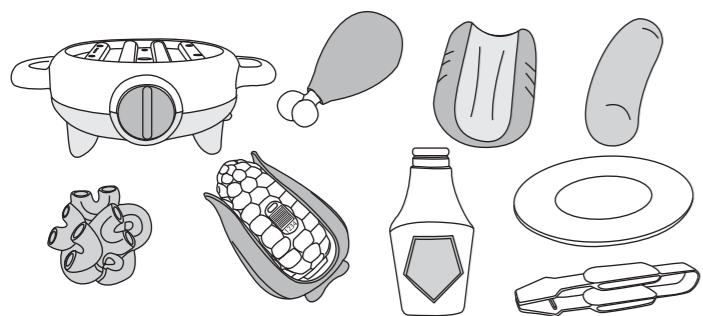
Smart Breakfast



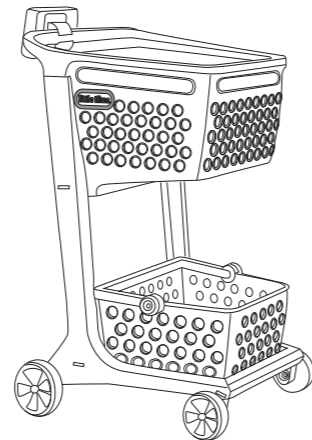
Smart Lunch



Smart Dinner



Smart Cart



Some items featured in the Cook 'n Learn Kitchen™ are compatible with items in the Shop 'n Learn™ line of products!
Collect them all!

Please keep this manual as it contains important information.



0618-2-C

© The Little Tikes Company, an MGA Entertainment company. LITTLE TIKES® is a trademark of Little Tikes in the U.S. and other countries. All logos, names, characters, likenesses, images, slogans, and packaging appearance are the property of Little Tikes.

Little Tikes Consumer Service
2180 Barlow Road Hudson, Ohio 44236
U.S.A.
1-800-321-0183
Printed in China

MGA Entertainment UK Ltd
50 Presley Way
Crownhill
Milton Keynes
MK8 0ES
Bucks, UK
0800 521 558

www.littletikes.com
www.littletikes.co.uk



Visit our website at www.littletikes.com to register your product and to enter our sweepstakes. (No purchase necessary)

ENG

little tikes

Shop 'n Learn™

Smart Checkout

- SKU: 646713C
- ADULT ASSEMBLY AND BATTERY INSTALLATION REQUIRED
- AGE 2+ YEARS
- ADULT SUPERVISION RECOMMENDED

Download on the
App Store

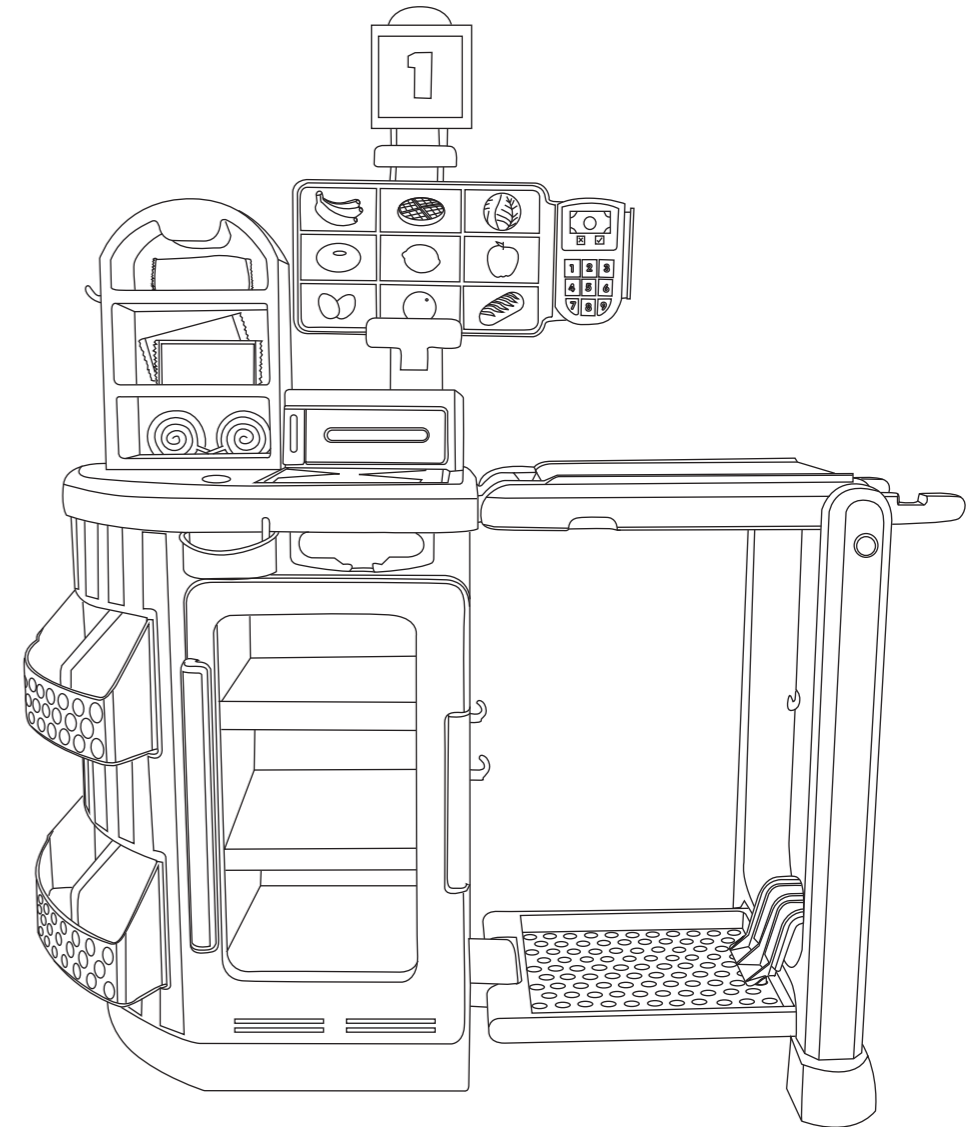
GET IT ON
Google Play

Available at
amazon

The Shop 'n Learn™ Smart Checkout will launch and run on all Android devices 4.3 or higher and all Apple devices running iOS 7 and above. iPad 2 is not supported with this product. Devices must support Bluetooth LE for the app to sync with the Smart Checkout. For a complete list of compatible devices, please visit: littletikes.com/shopnlearn



Download the Smart Checkout app using the QR code here, or by visiting littletikes.com/shopnlearn



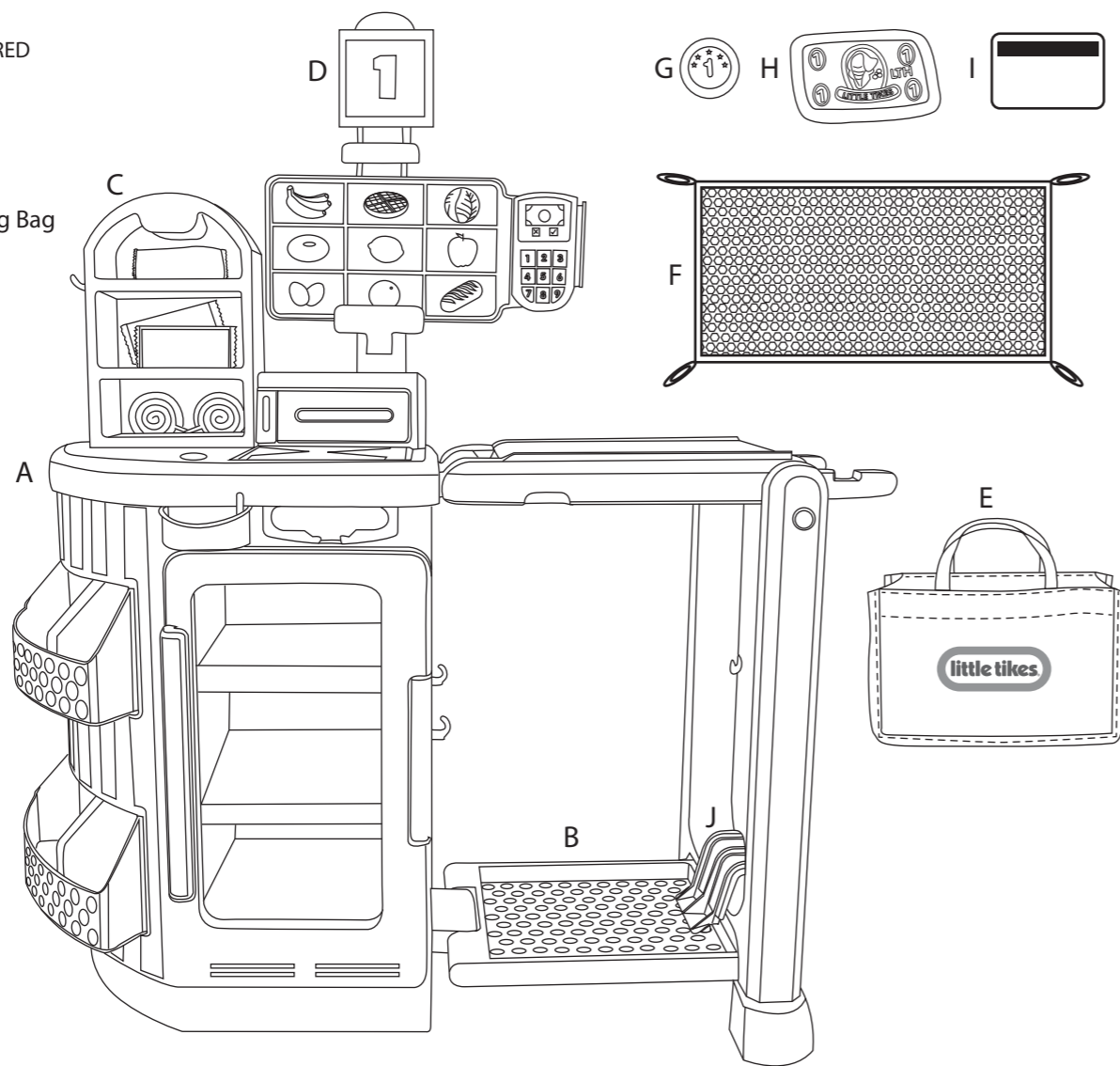
⚠ WARNING

- ADULT ASSEMBLY REQUIRED
- Keep these instructions for future reference.
- Keep long hair and loose apparel away from the conveyor belt.
- This product is intended for indoor family use only.
- This product is intended for use by children ages 2 years and up.
- Do not allow children to sit, stand, play or climb on the Smart Checkout. Failure to do so may cause the product to become unstable.
- **IMPORTANT:** DO NOT immerse RFID chip items in water. Wash with a damp cloth only.
- Electronic devices to be installed and removed by an adult only.

CONTENTS

ADULT ASSEMBLY REQUIRED

- A. 1 Smart Checkout
- B. 1 Tray
- C. 1 Display Case
- D. 1 Light Post
- E. 1 Reusable Shopping Bag
- F. 1 Net
- G. 5 Coins
- H. 5 Bills
- I. 1 Credit Card
- J. 1 Support Clamp



IMPORTANT INFORMATION

- Please save sales receipt for proof of purchase.
- Clean the unit with a slightly damp cloth (cold water) and mild soap if necessary.
- Real food items are not recommended for use with this unit or accessories.
- Always turn the Smart Checkout OFF after use to conserve battery power.
- The refrigerator does not keep items cold. Do not use as a real refrigerator.
- **NOTE:** If the unit stops working or doesn't work as it should, remove the batteries for a few minutes and then re-insert them. If there is still a problem, install new batteries.

LIMITED WARRANTY

The Little Tikes Company makes fun, high quality toys. We warrant to the original purchaser that this product is free of defects in materials or workmanship for one year * from the date of purchase (dated sales receipt is required for proof of purchase). At the sole election of The Little Tikes Company, the only remedies available under this warranty will be the replacement of the defective part or replacement of the product. This warranty is valid only if the product has been assembled and maintained per the instructions. This warranty does not cover abuse, accident, cosmetic issues such as fading or scratches from normal wear, or any other cause not arising from defects in material and workmanship. *The warranty period is three (3) months for daycare or commercial purchasers. U.S.A and Canada: For warranty service or replacement part information, please visit our website at www.littletikes.com, call 1-800-321-0183 or write to: Consumer Service, The Little Tikes Company, 2180 Barlow Road, Hudson OH 44236, U.S.A. Some replacement parts may be available for purchase after warranty expires—contact us for details. Outside U.S.A and Canada: Contact place of purchase for warranty service. This warranty gives you specific legal rights, and you may also have other rights, which vary from country/state to country/state. Some countries/states do not allow the exclusion or limitation of incidental or consequential damages, so the above limitation or exclusion may not apply to you.

BATTERY SAFETY INFORMATION

- Use only size "AA" (LR6) alkaline batteries (4 required).
- Charging of rechargeable batteries should only be done under adult supervision.
- Remove rechargeable batteries from the product before recharging.
- Do not mix old and new batteries.
- Do not mix alkaline, standard (carbon-zinc), or rechargeable batteries.
- Be sure to insert the batteries correctly and follow the toy and battery manufacturer's instruction.
- Always remove exhausted or dead batteries from the product.
- Dispose of dead batteries properly: do not burn or bury them.
- Do not attempt to recharge non-rechargeable batteries.
- Avoid short-circuiting battery terminals.
- Remove batteries before placing the unit into storage for a prolonged period of time.

FCC COMPLIANCE

NOTE: This equipment has been tested and found to comply with the limits for a Class B digital device, pursuant to Part 15 of the FCC Rules. These limits are designed to provide reasonable protection against harmful interference in a residential installation. This equipment generates, uses and can radiate radio frequency energy and, if not installed and used in accordance with the instructions, may cause harmful interference to radio communications. However, there is no guarantee that interference will not occur in a particular installation. If this equipment does cause harmful interference to radio or television reception, which can be determined by turning the equipment off and on, the user is encouraged to try to correct the interference by one or more of the following measures:

- Reorient or relocate the receiving antenna.
- Increase the separation between the equipment and receiver.
- Connect the equipment into an outlet on a circuit different from that to which the receiver is connected.
- Consult the dealer or an experienced radio/TV technician for help.

This device complies with Part 15 of the FCC Rules. Operation is subject to the following two conditions: (1) This device may not cause harmful interference, and (2) this device must accept any interference received, including interference that may cause undesired operation. Caution: Modifications not authorized by the manufacturer may void users authority to operate this device.

This device complies with Industry Canada's license-exempt RSS-210. Operation is subject to the following two conditions: (1) This device may not cause interference, and (2) This device must accept any interference, including interference that may cause undesired operation of the device.

CAN ICES-3 (B)/NMB-3(B).



'Let's care for the environment!'

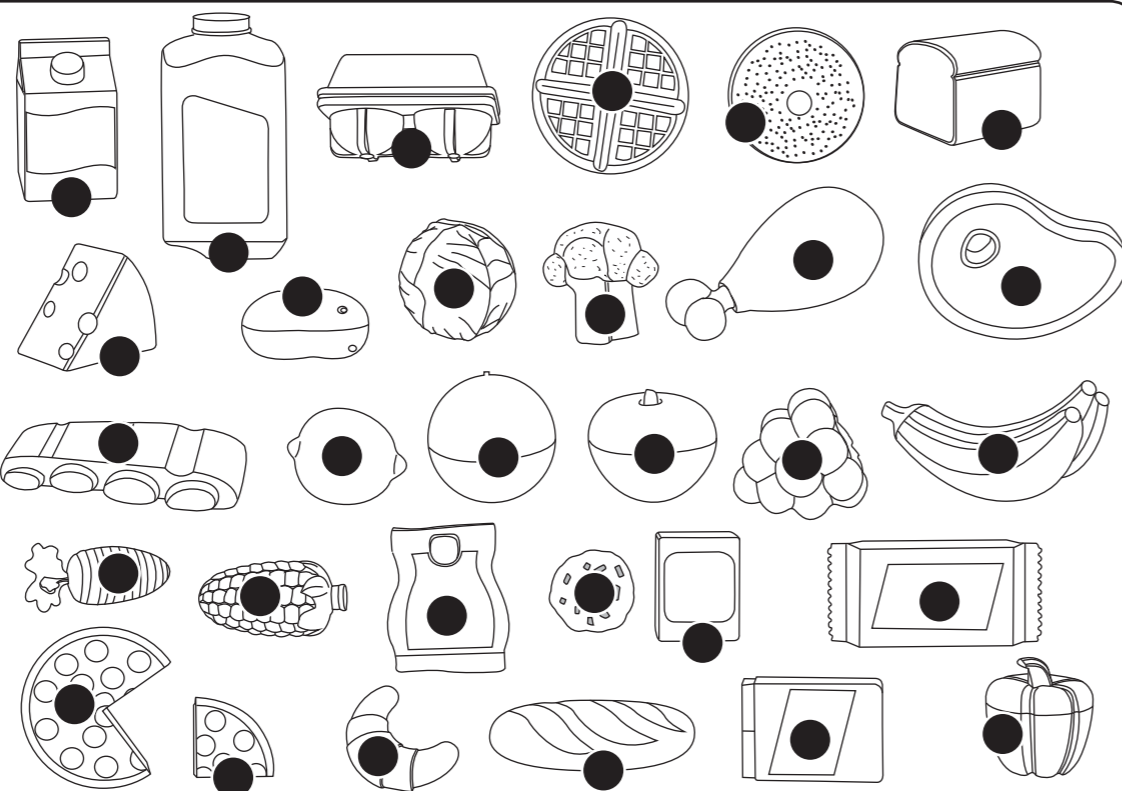
The wheelie bin symbol indicates that the product must not be disposed of with other household waste. Please use designated collection points or recycling facilities when disposing of the item.

Do not treat old batteries as household waste. Take them to a designated recycling facility.



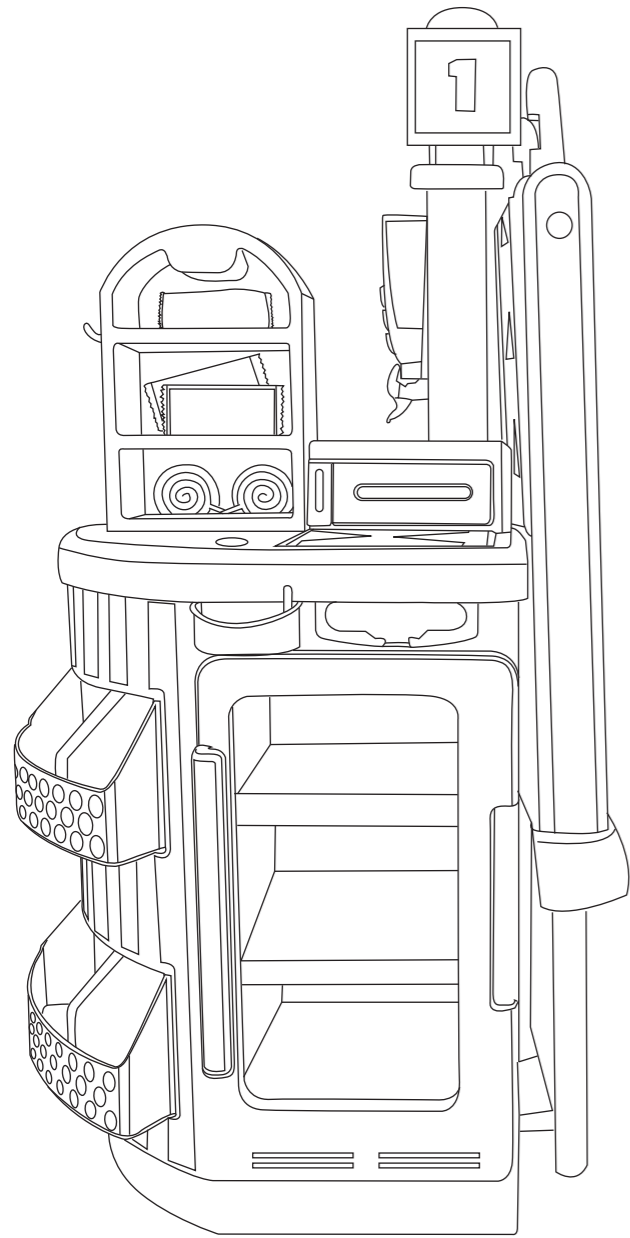
INCLUDES

- | | |
|----------------|-------------|
| Apple Juice | Apple |
| Milk Carton | Grapes |
| Egg Carton | Bananas |
| Waffle | Carrot |
| Bagel | Corn |
| Loaf of bread | Chips |
| Swiss cheese | Cookie |
| Potato | Raisins |
| Cabbage | Candy bar |
| Broccoli stalk | 3/4 Pizza |
| Chicken | Pizza slice |
| Steak | Croissant |
| Rack of ribs | Baguette |
| Lime | Chewing gum |
| Orange | Red Pepper |

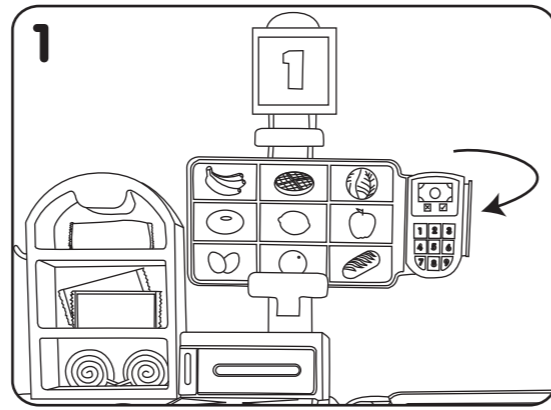


Accessories with the ● symbol contain a RFID chip and interact with the app. RFID location is the bar code on each item, or where the black dot is shown here. DO NOT immerse RFID chip items in water. Wash with a damp cloth only.

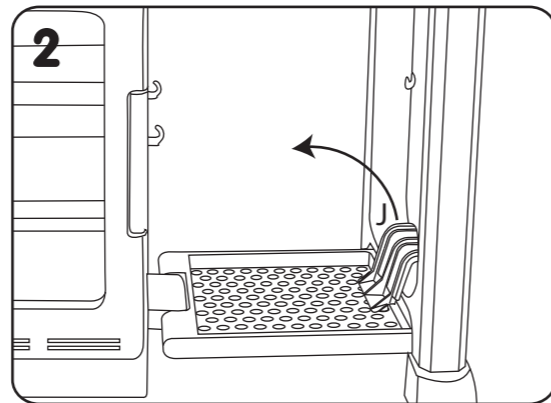
FOLDING AND UNFOLDING



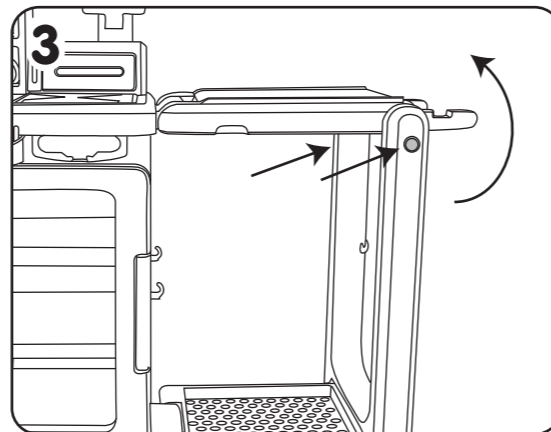
FOLDED POSITION



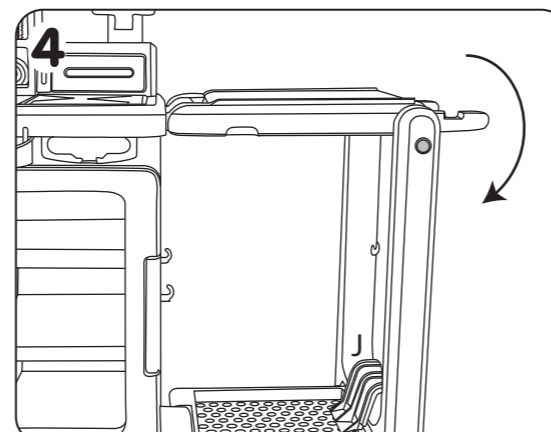
Turn the device holder sideways.



Remove the support clamp (J).



Press in and hold the buttons on the sides of the conveyor belt legs. Lift the conveyor belt upward until it fits into place. Then, release the buttons.

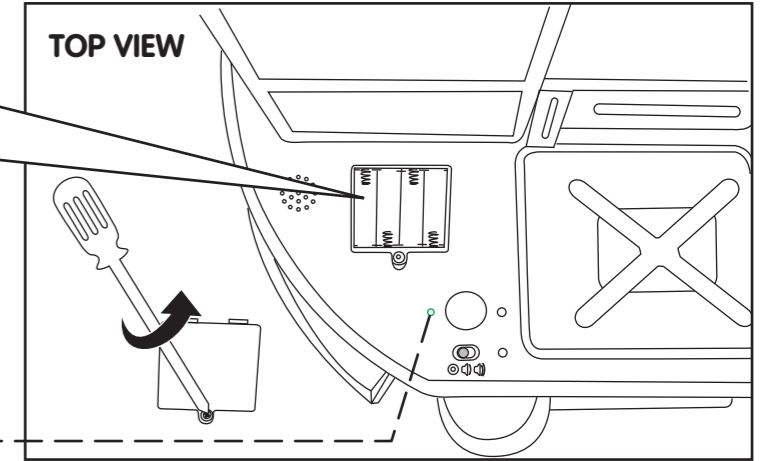
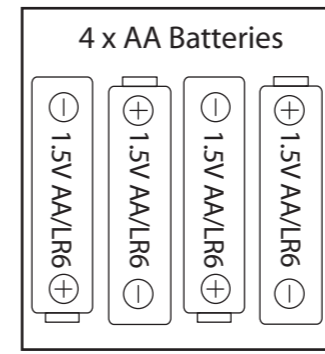


Firmly pull the conveyor belt down until the base is level on the floor. Then, replace the support clamp (J).

BATTERY INSTALLATION

- An adult must install fresh alkaline batteries (not included) in the Smart Checkout prior to playing. Here's how:
1. Using a Phillips screwdriver (not included) remove the screw and battery compartment cover from the top of the Smart Checkout.
 2. Install four (4) 1.5V AA (LR6) alkaline batteries (not included) making sure the (+) and (-) ends face the proper direction as indicated inside the battery compartment.
 3. Replace the compartment cover and tighten the screw.

LANGUAGE SELECT:
Use a small, pointed object (like a pin) to press the button for 2 seconds to switch between English and French.
2 sec.
ENGLISH ↔ FRENCH

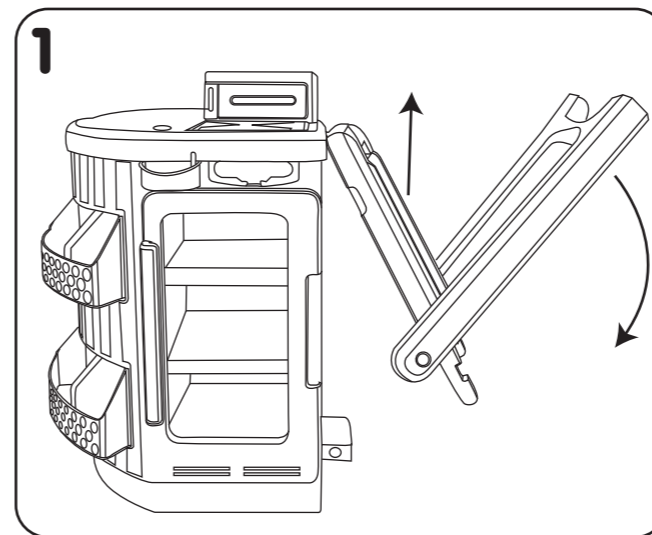


ASSEMBLY

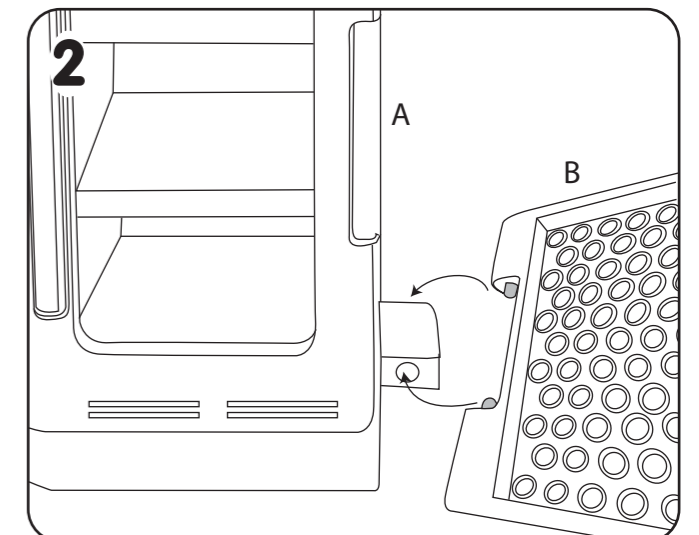
ADULT ASSEMBLY REQUIRED



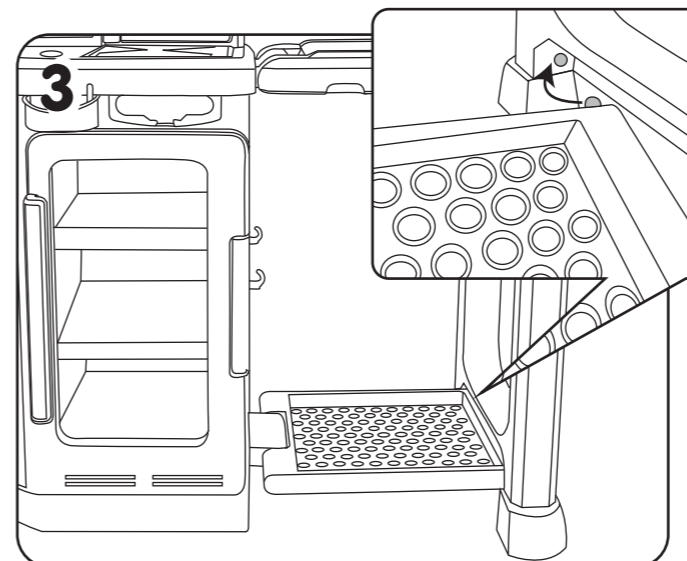
Please follow instructions carefully.
Once assembled, some parts may not be removed.



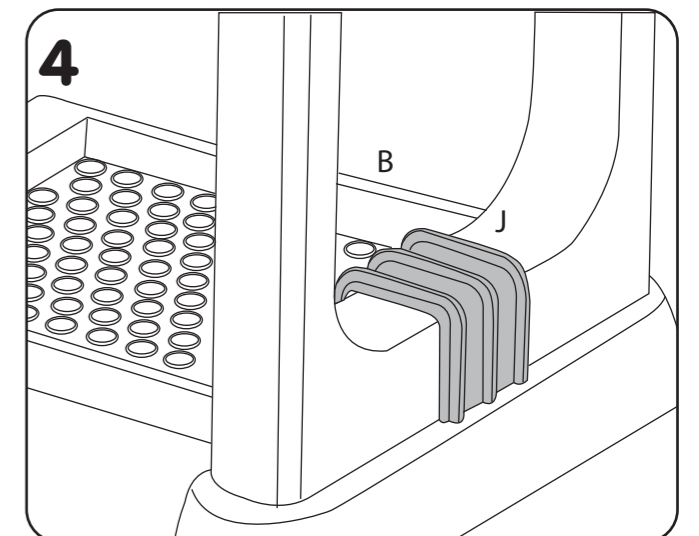
Fold down the support leg on the Smart Checkout (A) and pull the conveyor belt up until it clicks into place.



Press the spring-loaded buttons on both sides of the tray (B) inward and slide them into the openings on the Smart Checkout (A) to attach.

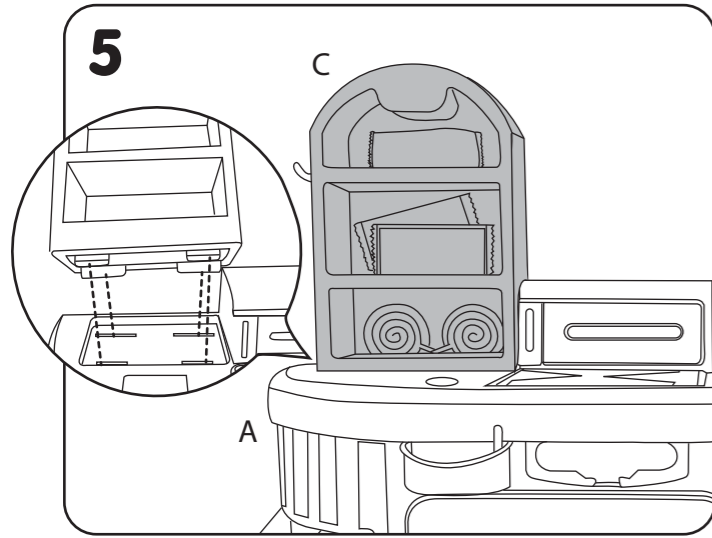


Attach the other end of the tray (B) to the support leg by pressing in the spring-loaded buttons and sliding it into place.

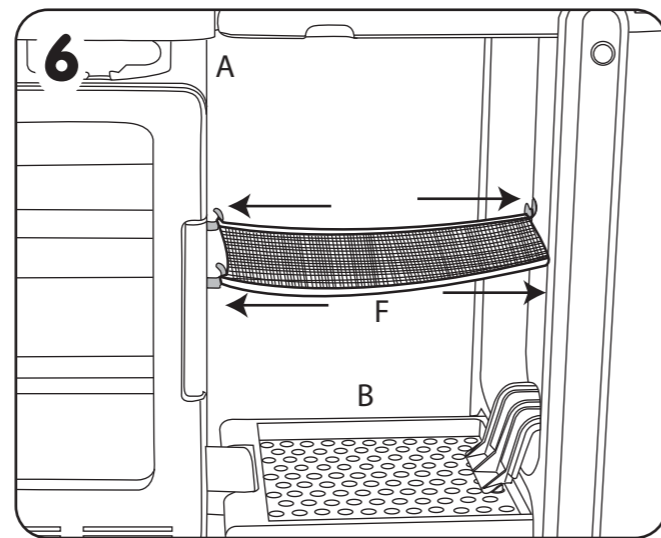


Attach the support clamp (J) to the tray (B) and the conveyor belt legs. The pegs on the support clamp fit into the openings on the tray.

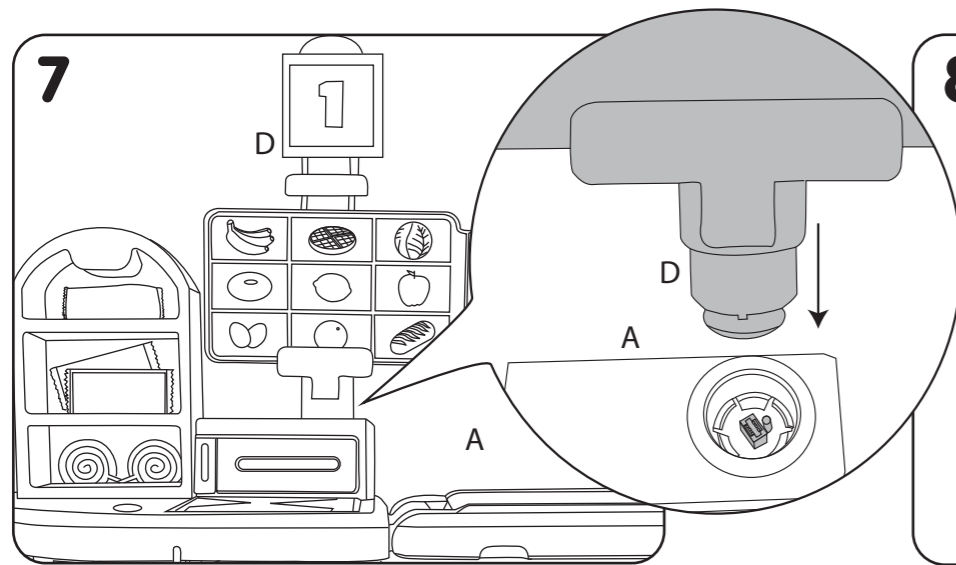
FEATURES AND USAGE



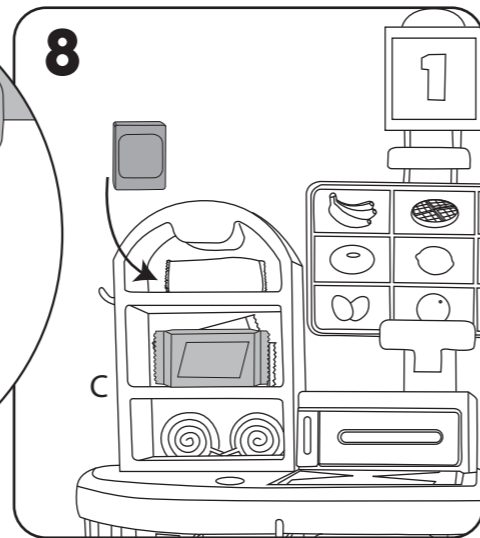
5 Snap the display case (C) onto the top of the Smart Checkout (A).
NOTE: Once the display is installed, it cannot be removed.



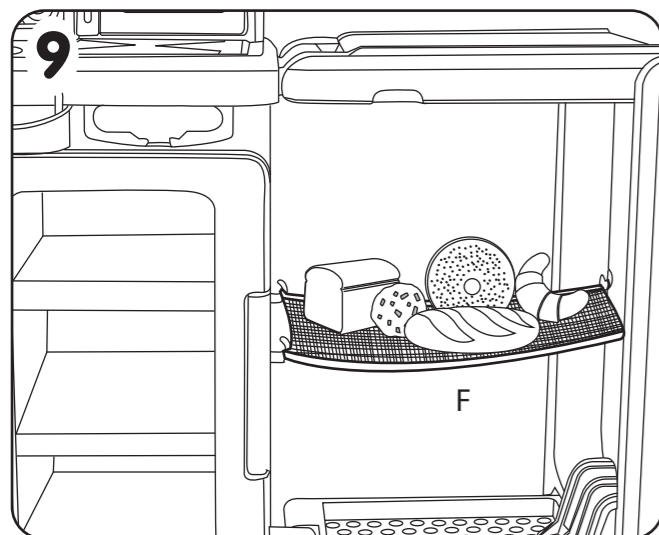
6 Hang the net (F) on the hooks above the tray (B).



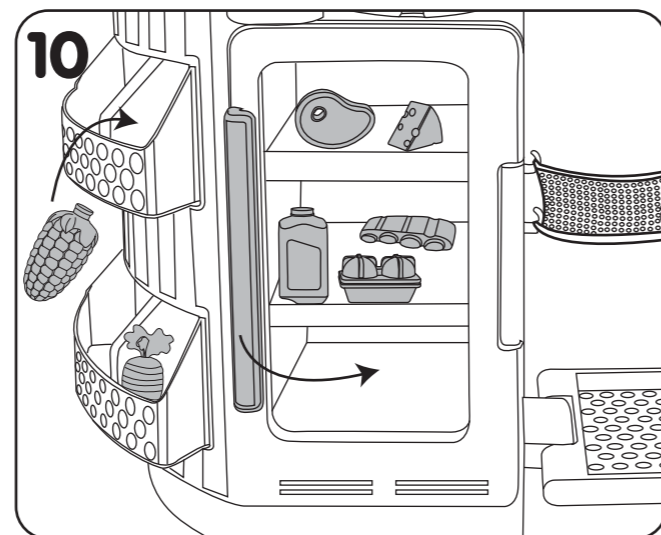
7 Align the connector piece under the light post (D) with the post inside of the Smart Checkout (A). Then, snap the light post into place.
NOTE: Once the post is installed, it cannot be removed.



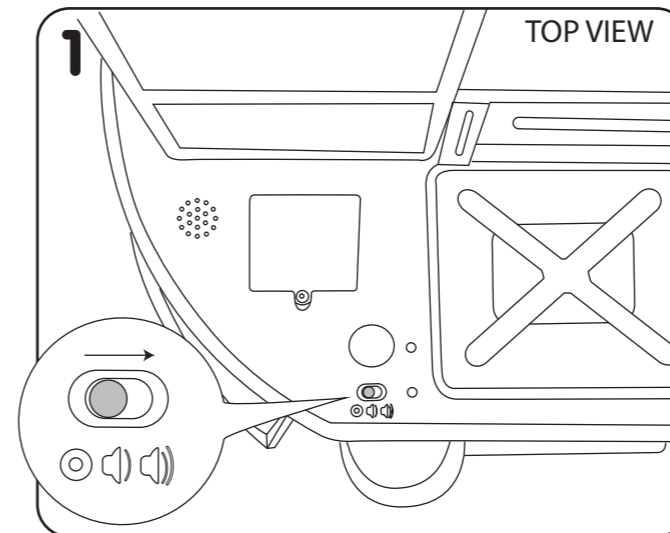
8 Place snack items on the display case (C).



9 Place bakery items in the hanging net (F).

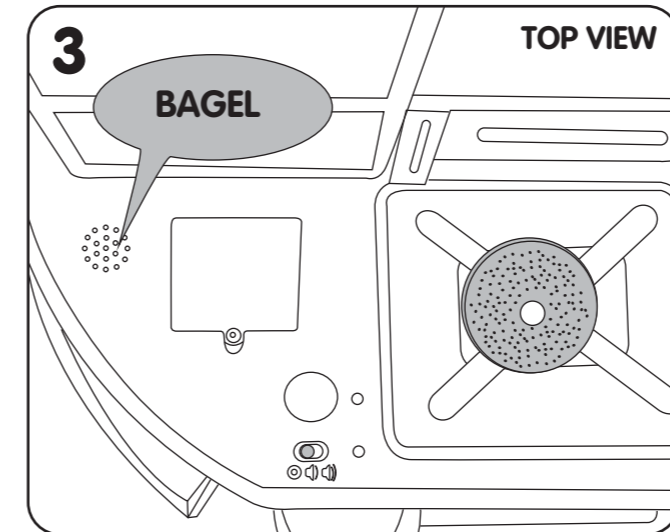


10 Store produce in the side baskets, and store cold items in the refrigerator. The refrigerator lights up when you open the door!

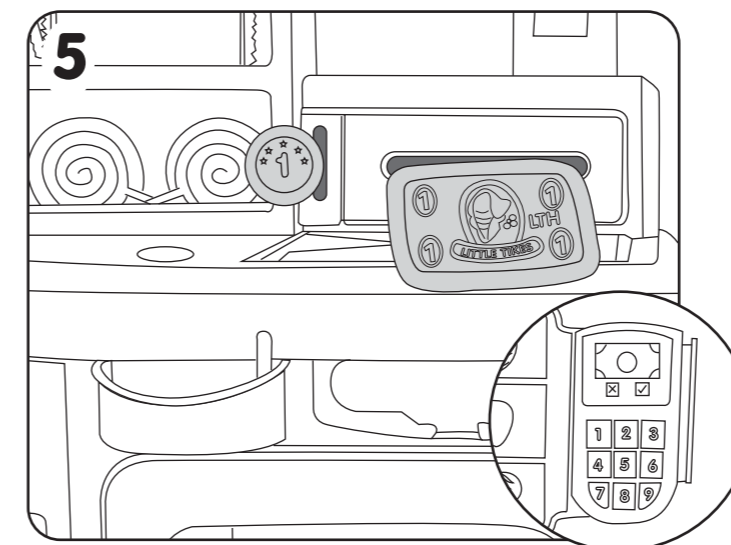


1 Turn the Smart Checkout from off to low or high volume.

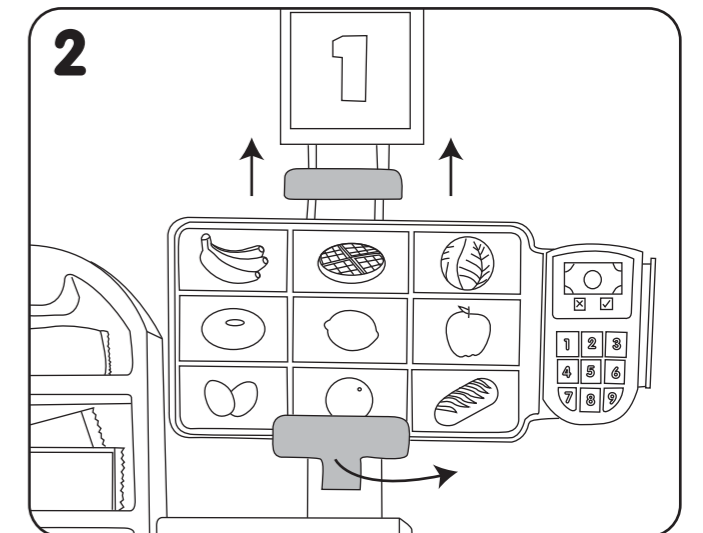
- OFF
- 🔊 LOW VOLUME
- 🔊 HIGH VOLUME



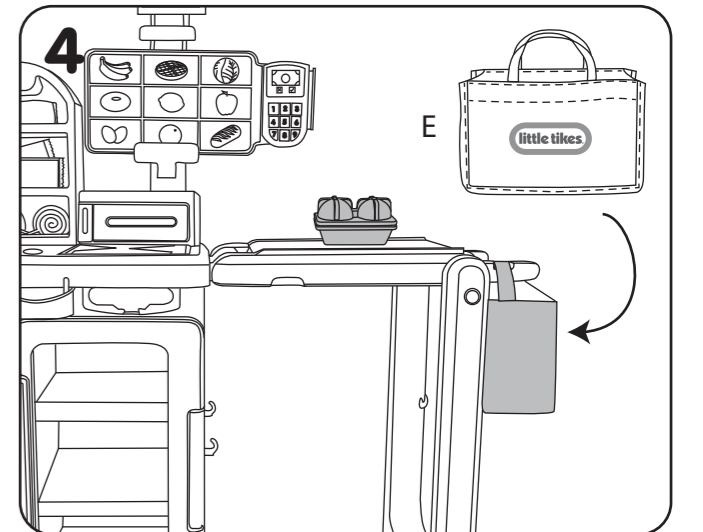
3 Scan an item over the center of the X on the Smart Checkout. It will say the item name, and the conveyor belt will start to move.



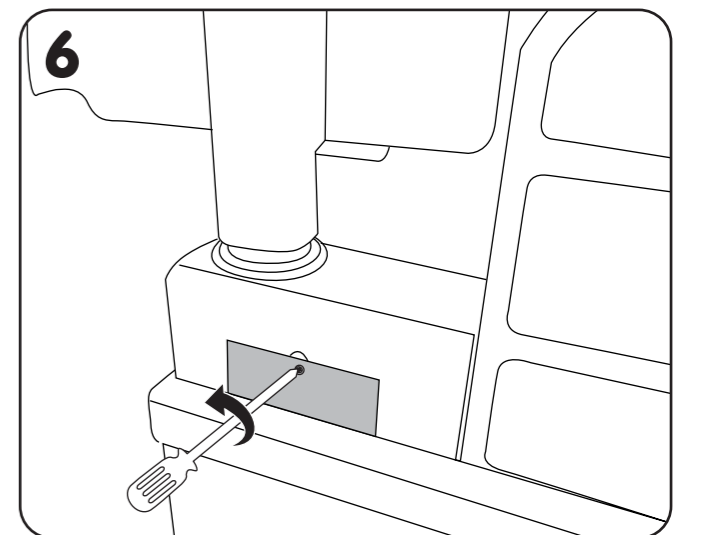
5 Time to pay! Place coins (G) in the coin slot, bills (I) in the bill slot, or swipe your card (I)! The light post (D) will light up when you insert money and the checkout counts up to 10.



2 If necessary, adjust the device holder clips according to the size of your device (not included) and secure it in place. Launch the Shop 'n Learn™ Smart Checkout App and pair your device to the unit. See the included Parent Instruction Guide for more information on downloading, pairing and app play instructions.



4 Place the included bag (E) at the end of the conveyor belt. Then, place your food item on the belt and let it roll into the bag!



6 If coins or bills get stuck in the Smart Checkout, an adult can remove the cover from the back of the unit with a screwdriver (not included) to remove the items.