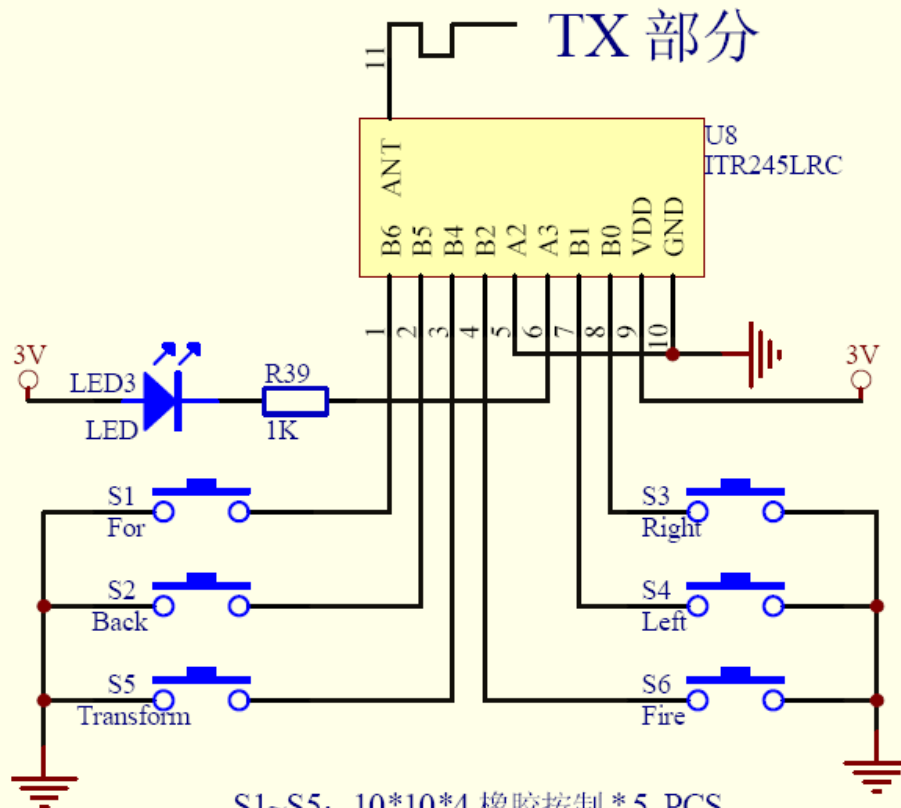
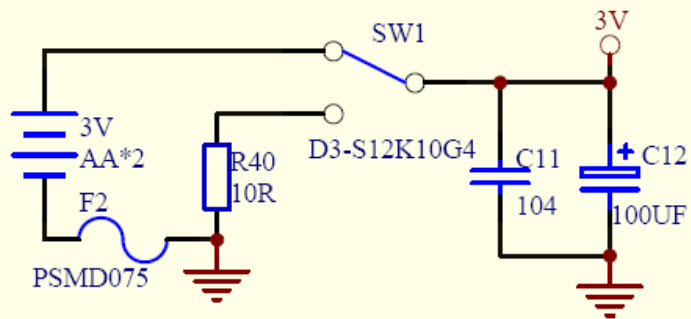


TX 部分

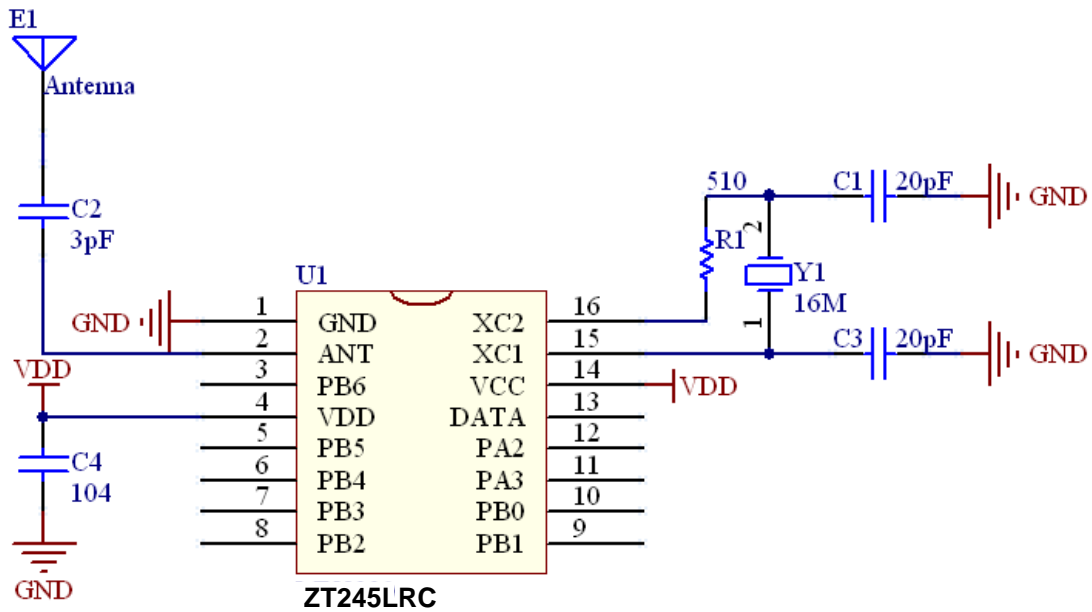


S1~S5: 10*10*4 橡胶控制 * 5 PCS

S6: D2-A0606G5.5 * 1 PCS



Schematic diagrams of typical application circuits



Note: The C1 and C3 value of the components is adjusted according to crystal manufacturers matching capacitor.

Component list

Identification	Value	Package	Number	Describe
C1,C3	20pF	0603	2	NPO, ±5%, 50V
C2	3pF	0603	1	NPO, ±5%, 50V
C4	104pF	0603	1	NPO, ±10%, 50V
R1	510R	0603	1	Resistor, ±1%
Y1	16MHz		1	Request error < + 60ppm
U1	ZT245LRC	SOP16	1	2.4G wireless transceiver chip