

TX Part

ANT



2.4G RF (2.412~2.468GHz)
Module For Transmitter
MCU ITR245LRC

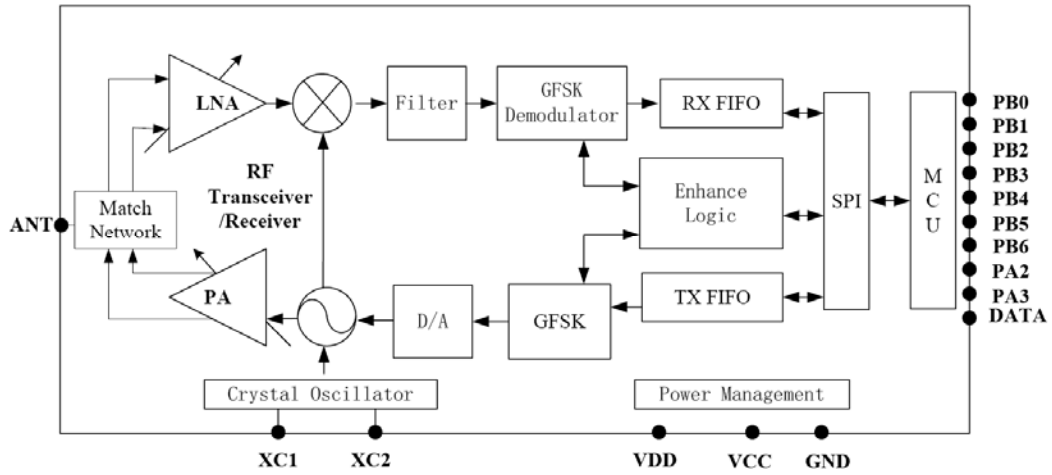


Power

Input

LED

Functional block diagram



RF system index						
Working frequency	f_{OP}		2400	--	2483	MHz
PPL frequency step	PLL_{res}			1		MHz
Crystal oscillator frequency	f_{XTAL}			16		MHz
Data rate	DR		0.25		2	Mbps
FM Deviation @250Kbps	Δf_{250K}			125		KHz
FM Deviation @1Mbps	Δf_{1M}			160	250	
FM Deviation @2Mbps	Δf_{2M}			320	500	
Channel spacing @250Kbps	FCH_{250k}			1		MHz
Channel spacing @1Mbps	FCH_{1M}			1		
Channel spacing @2Mbps	FCH_{2M}			2		
Typical output power	P_{RF}		2	8	13	dBm
Output power range	P_{RFC}		-35	--	13	dBm
Maximum reception range	RX_{max}	Error rate<0.1%		0		dBm
Reception sensitivity @250Kbps	RXSSENS			-93		dBm
Reception sensitivity @1Mbps	RXSSENS			-87		