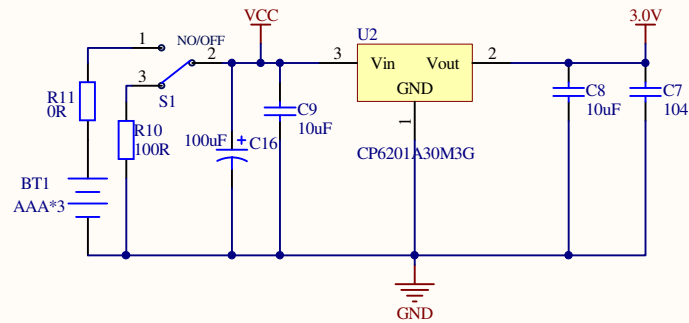
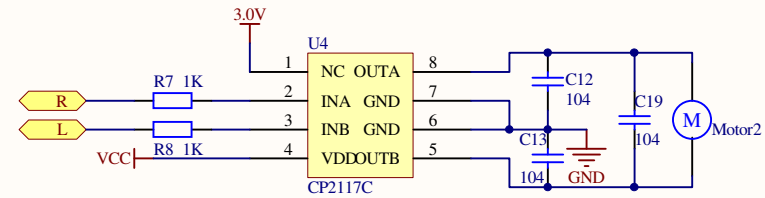
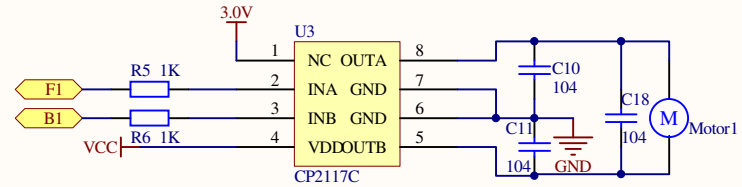
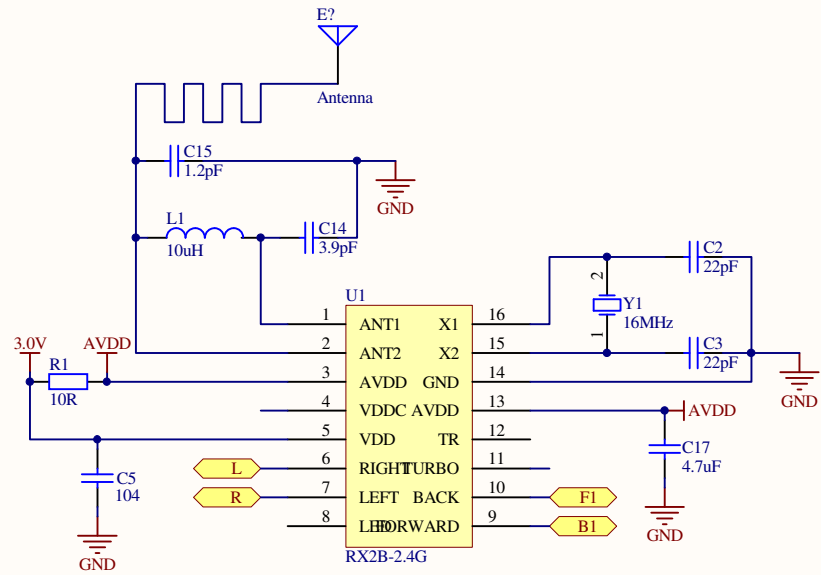


2407-2477MHz



REV	DETAIL OF CHANGE	DATE
01	Initial release	

MGA Entertainment

DWG NAME: SCHEMATIC CIRCUIT

FORM NO.: EN-051-01

ITEM NO.: #643330

DRW / DATE:

ITEM NAME: Bumper Car- RX

CHK / DATE:

SCALE: A3

PAGE:

OF

APP / DATE: