

## SAFE BATTERY USAGE

- Use alkaline batteries for best performance and longer life.
- Use only the type battery recommended for the unit.
- Batteries should be replaced only by an adult.
- Insert batteries with the correct polarity (+ and -).
- Do not mix old and new batteries.
- Do not mix alkaline, standard (carbon-zinc), or rechargeable(nickel-cadmium) batteries.
- Do not short-circuit batteries.
- When not used for an extended time, remove batteries to prevent possible leakage and damage to the unit.
- Do not mix rechargeable and non-rechargeable batteries.
- Rechargeable batteries are to be removed from the toy before charging.
- Rechargeable batteries are to be recharged only under adult supervision.
- Do not recharge non-rechargeable batteries.
- Exhausted batteries are to be removed from the toy.
- Do not dispose of batteries in fire as they may leak or explode.

## FCC COMPLIANCE

NOTE: This equipment has been tested and found to comply with the limits for a Class B digital device, pursuant to Part 15 of the FCC Rules. These limits are designed to provide reasonable protection against harmful interference in a residential installation. This equipment generates, uses and can radiate radio frequency energy and, if not installed and used in accordance with the instructions, may cause harmful interference to radio communications. However, there is no guarantee that interference will not occur in a particular installation. If this equipment does cause harmful interference to radio or television reception, which can be determined by turning the equipment off and on, the user is encouraged to try to correct the interference by one or more of the following measures:

- Reorient or relocate the receiving antenna.
- Increase the separation between the equipment and receiver.
- Connect the equipment into an outlet on a circuit different from that to which the receiver is connected.
- Consult the dealer or an experienced radio/TV technician for help.

This device complies with Part 15 of the FCC Rules. Operation is subject to the following two conditions: (1) This device may not cause harmful interference, and (2) this device must accept any interference received, including interference that may cause undesired operation.

Warning: Changes or modifications to this unit not expressly approved by the party responsible for compliance could void the user's authority to operate the equipment.

Download the free app:



Follow us:



Watch on:



Kids, ask your parents to download the Project Mc2™ app, available on iOS devices through the app store :

- Click on the App Store icon on your iOS device.
- Click "Search" on your mobile device and type in "Project Mc2"
- Once the correct app name comes up on the screen, tap on the word "get."
- You may be asked for your Apple ID. If so, enter your ID or follow the instructions on screen to get one.
- Once your ID is accepted, watch the download status until the download is complete.
- The application icon should appear on your device. Tap the icon to activate the app.

The Project Mc2™ app requires iOS 6.1 or later. Compatible with iPod Touch® 4, iPhone® 4 and iPad® 2 or later versions. Data rates may apply.



'Let's care for the environment!'

The wheelie bin symbol indicates that the product must not be disposed of with other household waste. Please use designated collection points or recycling facilities when disposing of the item. Do not treat old batteries as household waste. Take them to a designated recycling facility.

Please keep this manual as it contains important information.



0516-0-E

www.projectmc2.com  
 © 2016 MGA Entertainment, Inc.  
 PROJECT MC2™ is a trademark of MGA  
 in the U.S. and other countries. All  
 logos, names, characters, likenesses,  
 images, slogans, and packaging  
 appearance are the property of MGA.  
 16300 Roscoe Blvd.  
 Van Nuys, CA 91406 U.S.A.  
 (800) 222-4685  
**Printed in China**

The preferred method of contact for  
 Customer Service is through our e-mail  
 contact form at [www.mgae.com](http://www.mgae.com)

Visit  
**mgae.com**  
 to register your product  
 and to enter our sweepstakes  
 (No purchase necessary)



# GAMRYN'S RC HOVERBOARD

6+ YEARS

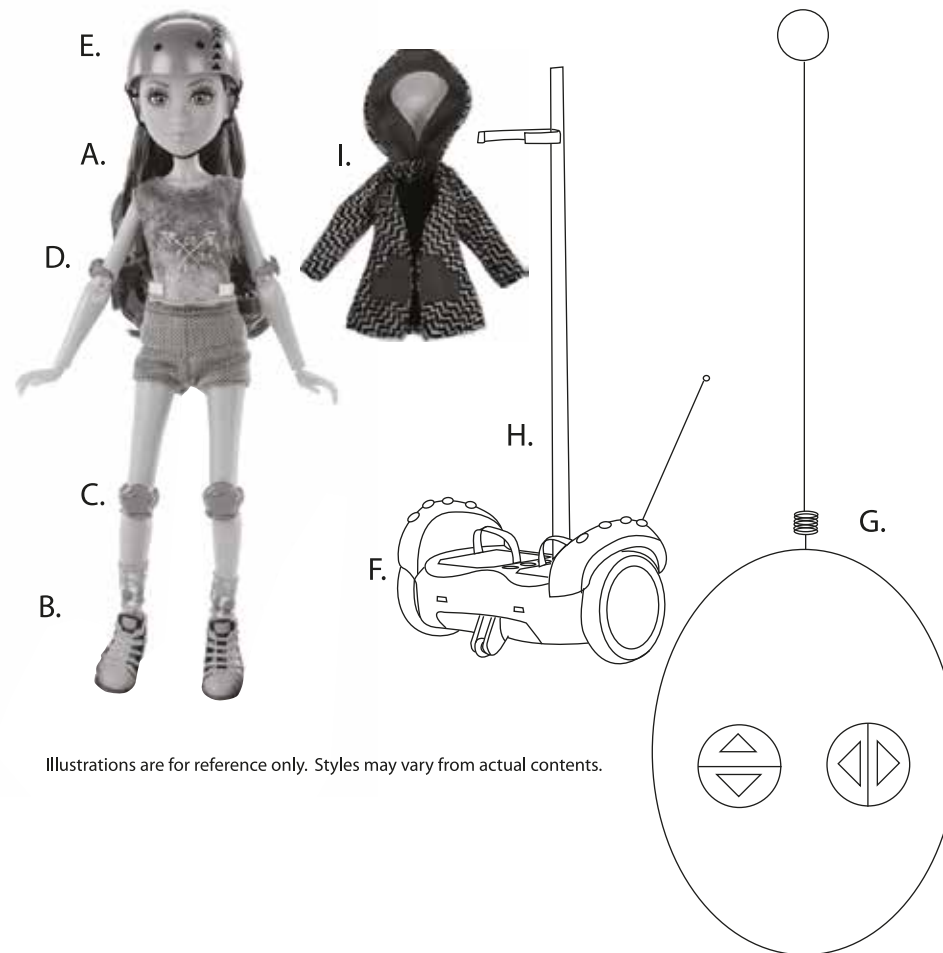
**WARNING:**  
 CHOKING HAZARD—Small parts.  
 Not for children under 3 years.

SKU: 546474

ADULT SUPERVISION AND BATTERY INSTALLATION REQUIRED

## CONTENTS

- |                              |                                   |
|------------------------------|-----------------------------------|
| A. 1 Doll with Outfit        | E. 1 Doll Helmet                  |
| B. 1 Pair of Doll Shoes      | F. 1 Hoverboard for Doll (27 MHz) |
| C. 1 Pair of Doll Knee Pads  | G. 1 Remote Control               |
| D. 1 Pair of Doll Elbow Pads | H. 1 Doll Stand                   |
|                              | I. 1 Jacket                       |



Illustrations are for reference only. Styles may vary from actual contents.

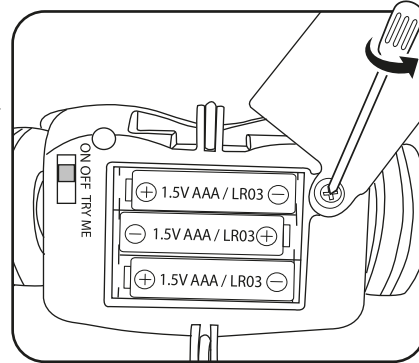
## BATTERY INSTALLATION

Before playing, an adult must install fresh alkaline batteries in the HOVERBOARD and REMOTE.

### HOVERBOARD

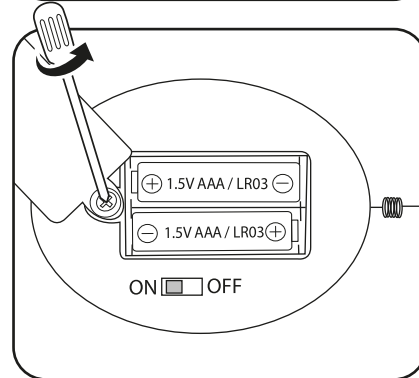
The batteries included in the hoverboard are for in-store demonstration purposes and should be replaced before use. Here's how:

1. Using a Phillips screwdriver (not included) remove the screw and battery compartment cover from the underside of the hoverboard.
2. Install three (3) fresh 1.5V AAA alkaline batteries (not included) making sure the (+) and (-) ends face the proper direction as indicated inside the battery compartment.
3. Replace the compartment cover and tighten the screw.



### REMOTE CONTROL

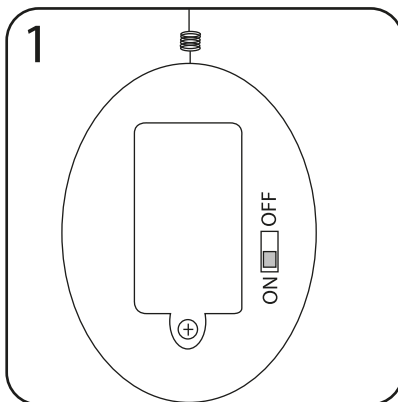
1. Using a Phillips screwdriver (not included) remove the screw and battery compartment cover from the back side of the remote.
2. Install two (2) fresh 1.5V AAA alkaline batteries (not included) making sure the (+) and (-) ends face the proper direction as indicated inside the battery compartment.
3. Replace the compartment cover and tighten the screw.



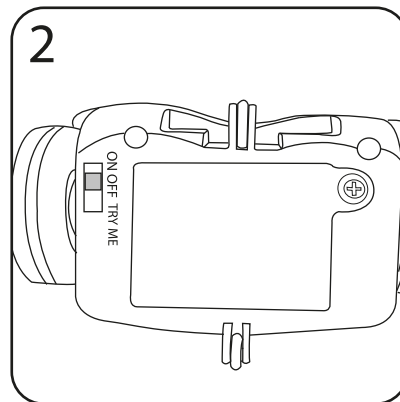
### IMPORTANT NOTE:

In the event of a malfunction, reset the item by removing and replacing the batteries. If function is still not restored, replace the batteries with fresh alkaline batteries.

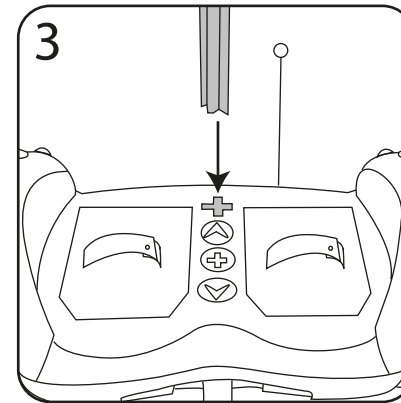
## QUICK START



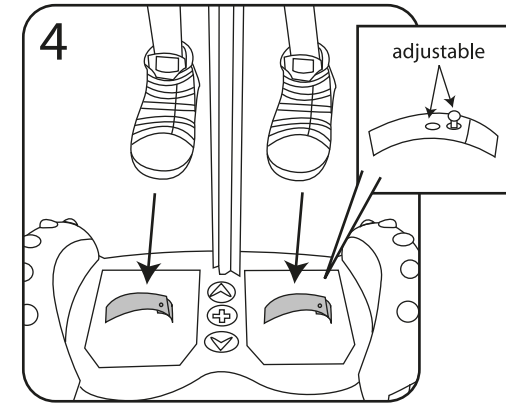
Turn ON the remote control.



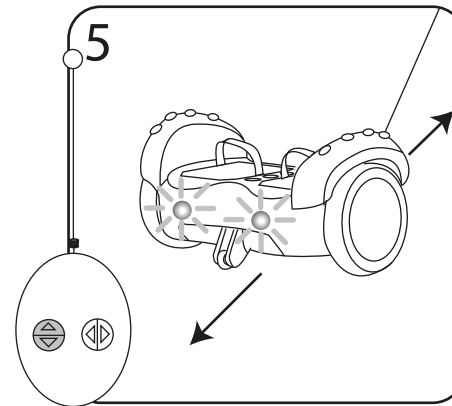
Move the switch on the hoverboard from "TRY ME" to "ON."

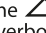
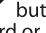


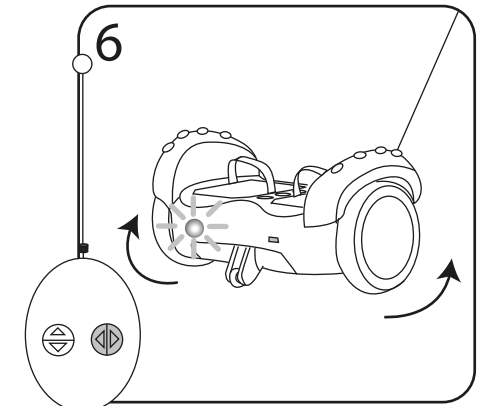
Insert the doll stand into the opening on top of the hoverboard.

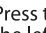



Connect the two halves of the loops on top of the hoverboard according to the size of the doll's shoes. Then, insert the doll's feet into the loops and clip the doll stand around the doll's waist.



Press the  or  button to move the hoverboard forward or in reverse. The lights on the hoverboard light up while the hoverboard is in forward motion.



Press the  or  button to spin to the left or spin to the right. The left or right light on the hoverboard will light up in the direction you are turning.

## IMPORTANT INFORMATION

- Only one hoverboard can be used at a time.
- The hoverboard must remain in remote control range to operate correctly. The range depends on the surrounding area and on the strength of the battery. Obstructions such as buildings, fences, etc., between the remote control transmitter and the hoverboard reduce the range.
- The hoverboard is controlled by radio frequency. It may interfere with nearby devices such as cordless phones, radios, walkie-talkies, or other radio controlled devices. If this occurs, move the hoverboard to a location away from the interference.
- Remove the doll's jacket before attaching the elbow pads.
- Always turn the hoverboard and the remote to the "OFF" position after playing to conserve battery power.
- Do not use the unit in the street, anywhere there is vehicular traffic, or in heavily traveled pedestrian areas.
- Do not stand or sit on or throw the hoverboard as doing so can result in injury to the person and damage to the unit.
- Do not run the hoverboard into furniture, walls, pets, people etc., as doing so may cause injury to the people and pets and irreparable damage to the unit.
- Keep long hair and loose apparel such as shoestrings away from the turning wheels of the hoverboard.
- Do not drive the hoverboard through water or mud.
- Always use on a flat, level surface. The unit operates on some low-pile carpet, but best performance is achieved on smooth flooring.
- Do not expose the hoverboard or remote to moisture of any kind.
- DO NOT wash doll's hair with water and/or soap.
- DO NOT dry doll's hair with a hair dryer or subject hair to very high heat in any manner.
- DO NOT operate this hoverboard during thunderstorms.