

FCC COMPLIANCE

NOTE: This equipment has been tested and found to comply with the limits for a Class B digital device, pursuant to Part 15 of the FCC Rules. These limits are designed to provide reasonable protection against harmful interference in a residential installation. This equipment generates, uses and can radiate radio frequency energy and, if not installed and used in accordance with the instructions, may cause harmful interference to radio communications. However, there is no guarantee that interference will not occur in a particular installation. If this equipment does cause harmful interference to radio or television reception, which can be determined by turning the equipment off and on, the user is encouraged to try to correct the interference by one or more of the following measures:

- Reorient or relocate the receiving antenna.
- Increase the separation between the equipment and receiver.
- Connect the equipment into an outlet on a circuit different from that to which the receiver is connected.
- Consult the dealer or an experienced radio/TV technician for help.

This device complies with Part 15 of the FCC Rules. Operation is subject to the following two conditions: (1) This device may not cause harmful interference, and (2) this device must accept any interference received, including interference that may cause undesired operation.

Warning : Changes or modifications to this unit not expressly approved by the party responsible for compliance could void the user's authority to operate the equipment.

SAFE BATTERY USAGE

- Use alkaline batteries for best performance and longer life.
- Use only the type battery recommended for the unit.
- Batteries should be replaced only by an adult.
- Insert batteries with the correct polarity (+ and -).
- Do not mix old and new batteries.
- Do not mix alkaline, standard (carbon-zinc), or rechargeable(nickel-cadmium) batteries.
- Do not short-circuit batteries.
- When not used for an extended time, remove batteries to prevent possible leakage and damage to the unit.
- Do not mix rechargeable and non-rechargeable batteries.
- Rechargeable batteries are to be removed from the toy before charging.
- Rechargeable batteries are to be recharged only under adult supervision.
- Do not recharge non-rechargeable batteries.
- Exhausted batteries are to be removed from the toy.
- Do not dispose of batteries in fire as they may leak or explode.



'Let's care for the environment!'

The wheelie bin symbol indicates that the product must not be disposed of with other household waste. Please use designated collection points or recycling facilities when disposing of the item.

Do not treat old batteries as household waste. Take them to a designated recycling facility.

Please keep this manual as it contains important information.



0615-1-E

www.bratz.com

© MGA Entertainment, Inc.

BRATZILLAZ™, BRATZ® and BRATZ BOYZ® are trademarks of MGA in the U.S. and other countries. All logos, names, characters, likenesses, images, slogans, and packaging appearance are the property of MGA.

16300 Roscoe Blvd.

Van Nuys, CA 91406 U.S.A.

(800) 222-4685

Printed in China

The preferred method of contact for Customer Service is through our e-mail contact form at www.mgae.com



Remote Control Car

537229

537236. – 27 MHz

537243. – 49 MHz

Age 5+ years

Adult Supervision and Battery Installation Required

CONTENTS

A. 1 Bratz® Remote Control Car (27 MHz OR 49 MHz)

B. 1 Remote Control



Illustrations are for reference only. Styles may vary from actual contents.

QUICK START

BRATZ® REMOTE CONTROL CAR

BATTERY INSTALLATION

An ADULT must install batteries in the car. Here's how:

1. Open the car trunk and switch the ON/OFF switch to "OFF." (Fig. 1)
2. Using a Phillips screwdriver (not included), remove the screw and battery compartment cover. (Fig. 1)
3. Install six (6) AA alkaline batteries (2 Batteries included) making sure the (+) and (-) ends face the proper direction as indicated inside the battery compartment. (Fig. 2)
4. Replace the compartment cover and tighten the screw.
5. Move the switch to ON and close the trunk.

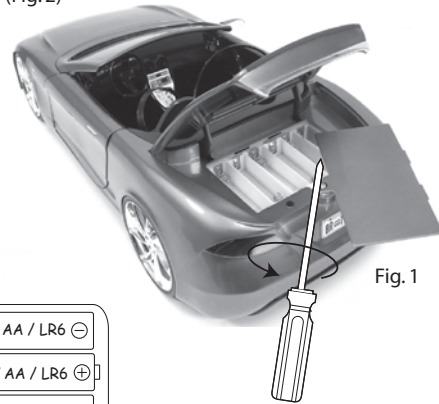


Fig. 1

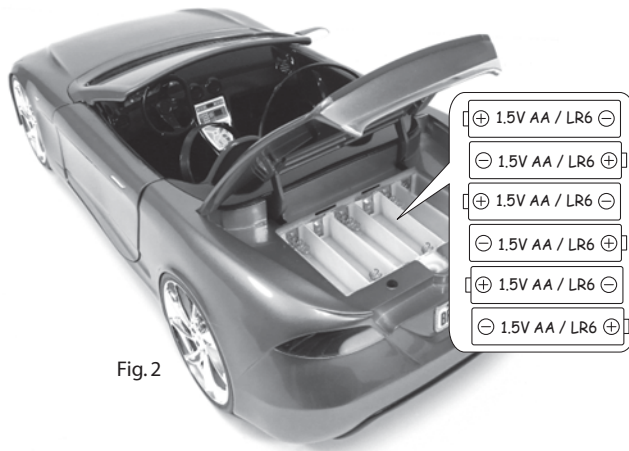


Fig. 2

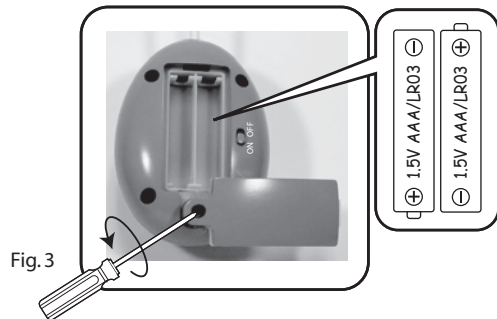


Fig. 3

REMOTE CONTROL

An ADULT must install batteries in the remote control. Here's how:

1. Switch the ON/OFF switch to "OFF."
2. Using a Phillips screwdriver (not included) remove the screw and battery compartment cover on the back of the remote control. (Fig. 3)
2. Install two (2) AAA alkaline batteries (not included) making sure the (+) and (-) ends face the proper direction as indicated inside the battery compartment. (Fig. 3)
3. Replace the compartment cover and tighten the screw.

IMPORTANT INFORMATION

- When driving two Bratz® Remote Control Cars at the same time they must be of different radio frequencies (e.g. one car 49MHz and one car 27MHz) or they may not perform as designed.
- When the car is not being played with, turn the ON/OFF switches on both the car and the remote "OFF" to save battery power.
- Your Bratz® Remote Control Car is controlled by radio frequency. It may interfere with nearby devices such as cordless phones, radios, walkie-talkies, or other radio controlled devices. If this occurs, move the car to a location away from the interference.
- The car must remain in remote control range to operate correctly. The range depends on the surrounding area and on the strength of the battery. Obstructions such as buildings, fences, etc., between the remote control transmitter and the car reduce the range.
- If the car runs slowly, replace the batteries.
- KEEP AWAY FROM WATER! Do not run your Bratz® Remote Control Car through puddles, or expose it to liquid of any kind as moisture may damage the unit.

TROUBLESHOOTING

IF THERE IS NO FUNCTION BETWEEN THE REMOTE CONTROL AND THE CAR:

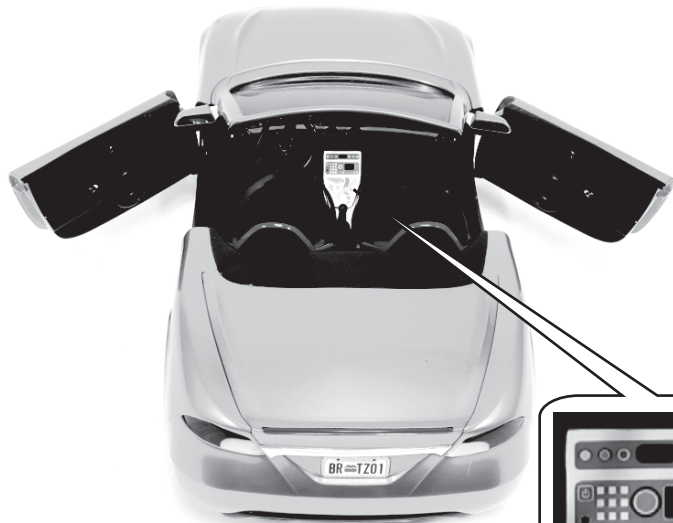
- Make sure the remote control and the car switches are in the "ON" position.
- Make sure the batteries are inserted properly.
- Replace the old batteries with new alkaline batteries.
- Move the remote control closer to the car to determine the best communication between the two.



CAUTION:

- DO NOT operate the car in the street or in traffic of any kind.
- DO NOT sit or stand on any part of the car.
- DO NOT lift and/or drop the car as doing so may cause bodily injury to the user and irreparable damage to the car.
- Play with the car on the floor or ground only.
- DO NOT operate this car during thunderstorms.
- Keep hair, fingers, loose clothing and other items away from rotating wheels of the car.

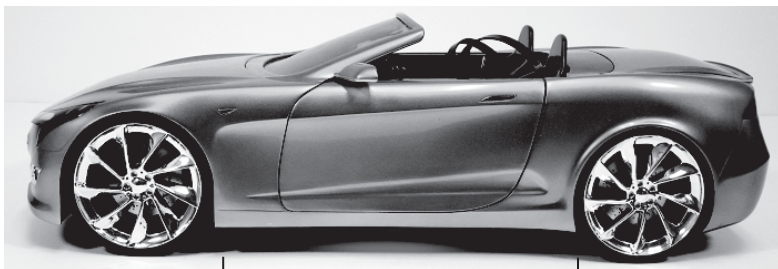
FUN FUNCTIONS



1. Open the trunk.
2. GPS lights up when switch is ON.



3. Headlights light when car is running.

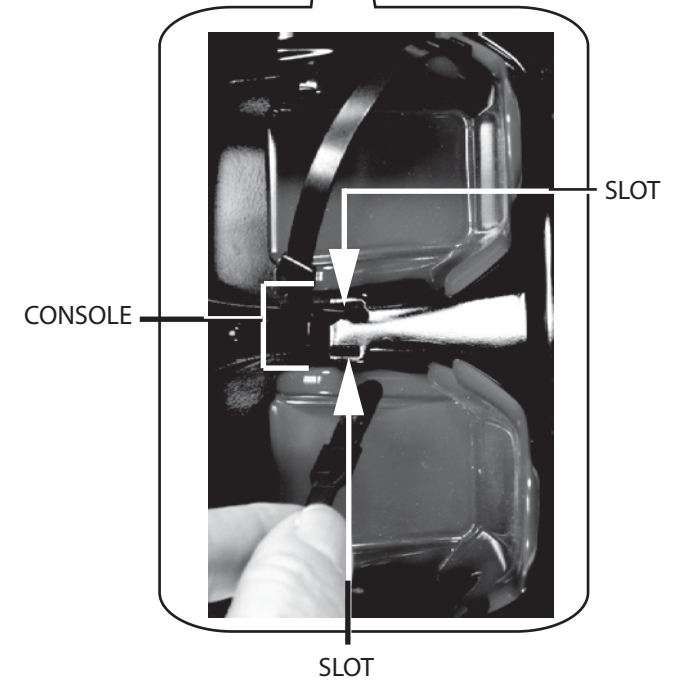
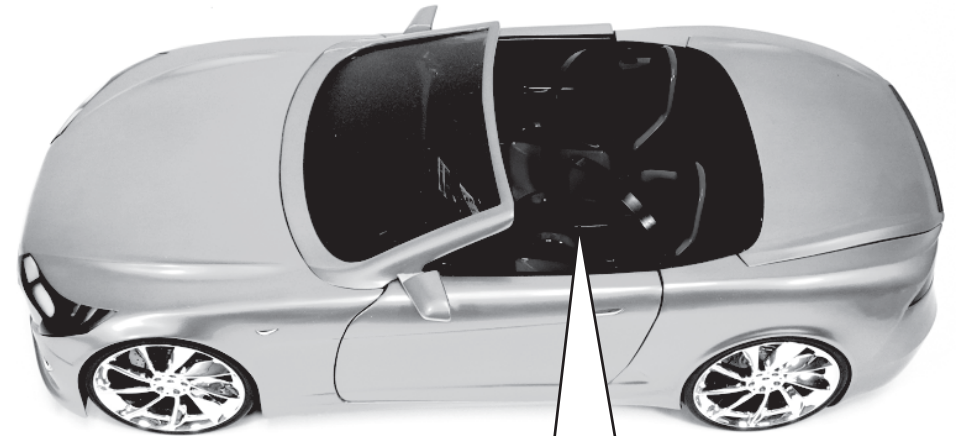


4. Underglow lights remain on when car switch is in ON position..

FASTEN YOUR SEAT BELTS!

Before driving make sure your Bratz® doll (not included) is belted in for safety. To do so:

1. Remove the end of a belt from its slot in the car console.
2. Place your doll comfortably in the seat.
3. Re-insert the end of the belt into the slot and press firmly.



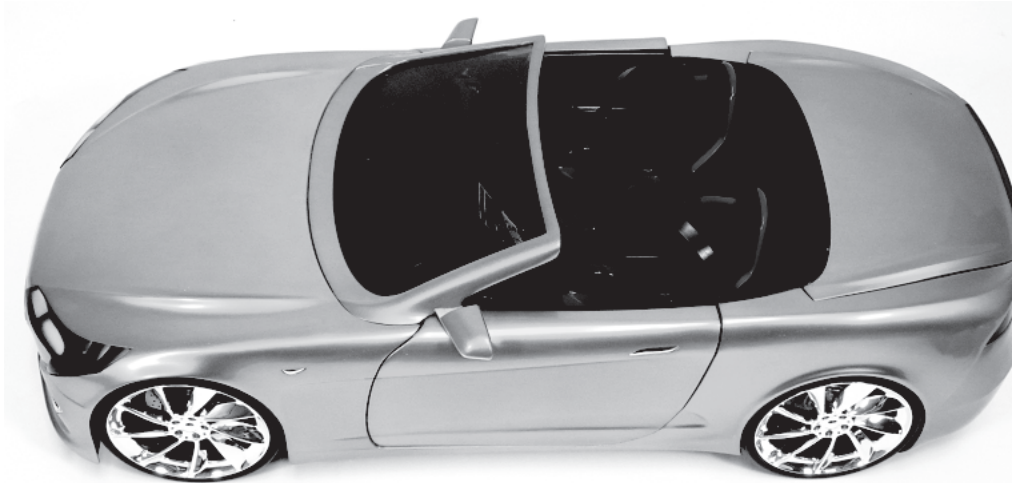
QUICK START

OPERATING THE REMOTE CONTROL CAR

1. Slide the ON/OFF switch on the back of the remote control to the "ON" position.
2. Open the trunk of the car and slide the ON/OFF switch to the "ON" position.

NOTE: With switch in the ON position, White Headlights, White Center Console light, Red Tail Lights, and Blue Undercarriage Lights will all light.

3. Close the trunk.
4. Place the car on a flat surface.



5. Push the left button on the remote control to drive the car forward.



6. Push the right button on the remote control to go backward and to the right.

IMPORTANT NOTE: When not in use turn car and remote switches to OFF to conserve battery power.