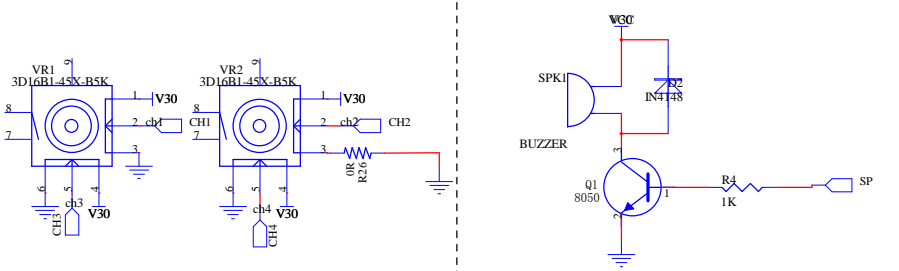
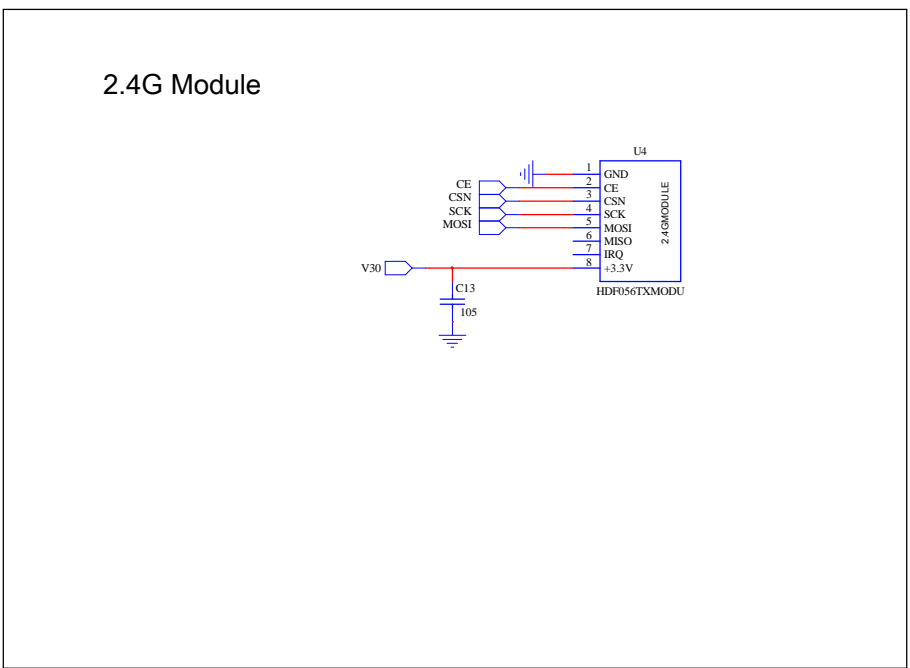
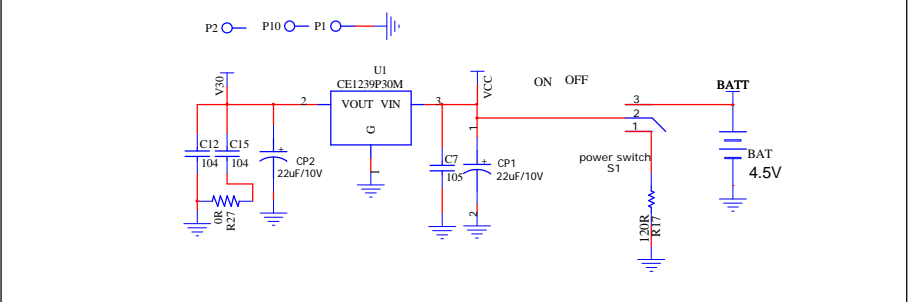
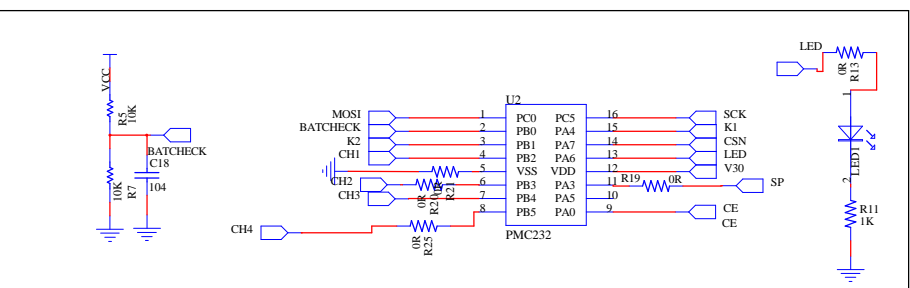


R16---0R -----自转SPin
 R6---120R -----circle
 R15---1.2K -----螺旋上升
 R12---820R -----上升下降
 R24---240R -----一键起飞



Title			HDF56V1.9TX		
Size	Number	Revision			
Date:	20160328		Sheet of		
File:	20160328		Drawn By:		

6

5

4

3

2

1

HDF056V1.1-TXBG

1:修改LDO为LD1117 3.3V

2:修改BAT为9V

HDF056V1.2-TXBG

1:修改R5为47K

REVISION RECORD

LTR	ECO NO:	APPROVED:	DATE:

D

D

C

C

B

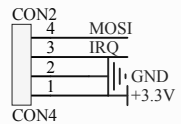
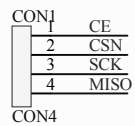
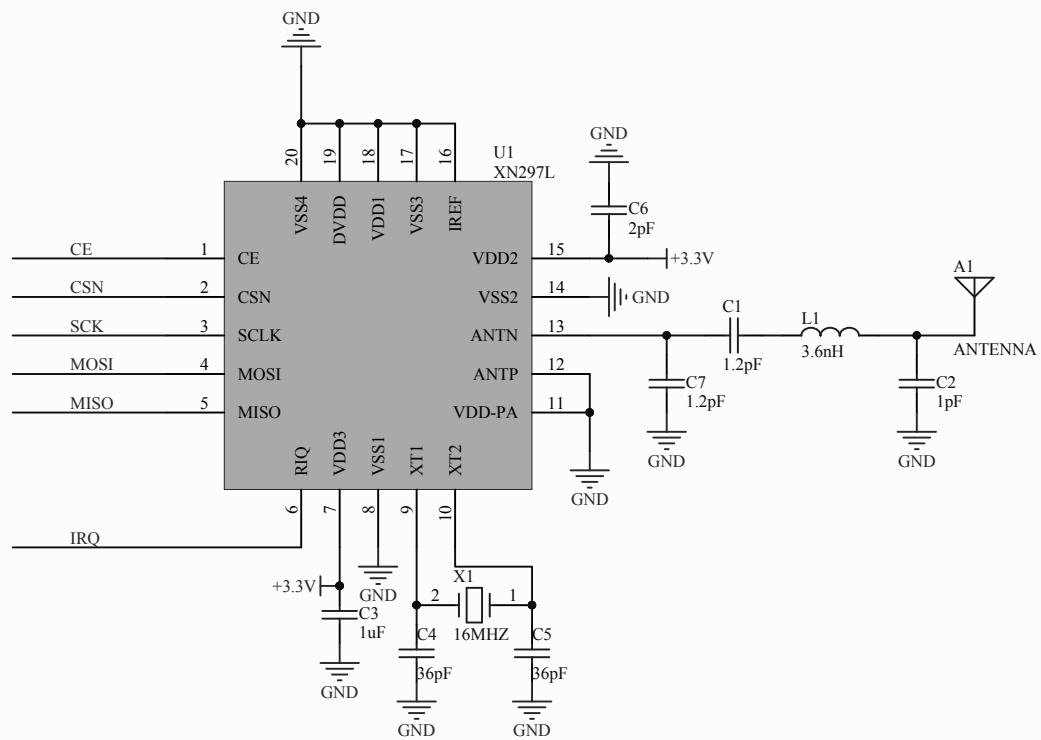
B

A

A

COMPANY:			
TITLE:			
CODE:	SIZE: A3	DRAWING NO:	REV:
SCALE:		SHEET: 2 of 2	

DRAWN:	DATED:
CHECKED:	DATED:
QUALITY CONTROL:	DATED:
RELEASED:	DATED:



Title		
Size A4	Number	Revision
Date: 2015/11/30	Sheet of	
File: D:\胡乐华\XN297L.SchDoc	Drawn By:	