

## FCC COMPLIANCE

NOTE: This equipment has been tested and found to comply with the limits for Class B digital device, pursuant to Part 15 of FCC Rules. These limits are designed to provide reasonable protection against harmful interference in a residential installation. This equipment generates, uses and can radiate radio frequency energy and, if not installed and used in accordance with the instructions, may cause harmful interference to radio communications. However, there is no guarantee that interference will not occur in a particular installation. If this equipment does cause harmful interference to radio or television reception, which can be determined by turning the equipment off and on, the user is encouraged to try to correct the interference by one or more of the following measures:

- Reorient or relocate the receiving antenna.
- Increase the separation between the equipment and receiver.
- Connect the equipment into an outlet on a circuit different from that to which the receiver is connected.
- Consult the dealer or an experienced radio/TV technician for help.

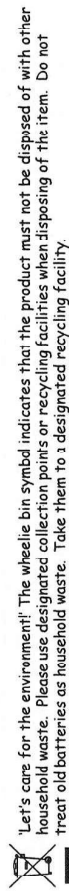
This device complies with Part 15 of the FCC Rules. Operation is subject to the following two conditions: (1) This device may not cause harmful interference, and (2) this device must accept any interference received, including interference that may cause undesired operation.

Warning: Changes or modifications to this unit not expressly approved by the party responsible for compliance could void the user's authority to operate the equipment.

## SAFE BATTERY USAGE

- Use alkaline batteries for best performance and longer life.
- Use only the type battery recommended for the unit.
- Batteries should be replaced only by an adult.
- Insert batteries with the correct polarity (+ and -).
- Do not mix old and new batteries.
- Do not mix alkaline, standard (carbon-zinc), or rechargeable (nickel-cadmium) batteries.
- Do not short-circuit batteries.
- When not used for an extended time, remove batteries to prevent possible leakage and damage to the unit.
- Do not mix rechargeable and non-rechargeable batteries.
- Rechargeable batteries are to be removed from the toy before charging.
- Rechargeable batteries are to be recharged only under adult supervision.
- Do not recharge non-rechargeable batteries.
- Exhausted batteries are to be removed from the toy.
- Do not dispose of batteries in fire as they may leak or explode.

NOTE: The voltage of a fully-charged, rechargeable battery is often lower than that of a fresh alkaline battery. Therefore, it is recommended that alkaline batteries be used instead of rechargeable batteries for best performance and for longest play time.



Please keep this manual as it contains important information.



www.moviegirlz.com  
 © MGA Entertainment, Inc.  
 MOXIE GIRLZ™ is a trademark of MGA in the U.S. and other countries. All logos, names, characters, likenesses, images, slogans, and packaging appearance are the property of MGA.  
 16300 Roscoe Blvd.  
 Van Nuys, CA 91406 U.S.A.  
 (800) 222-4685  
 Printed in China

0310-0-E

# Moxie Girlz™ Magic Snow RC Cruiser

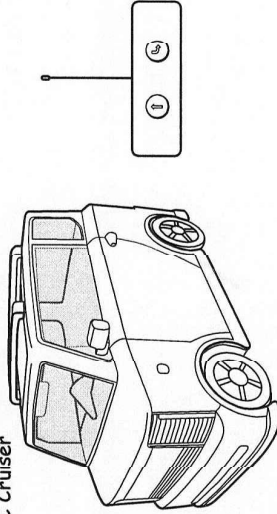
Item No.: 399476  
 Age 5+ years  
 Adult Battery Installation Required

## INTRODUCTION

This trendy, urban, hybrid-style RC Cruiser is not just cool, it's Moxie Girlz™ cool!

## CONTENTS

- 1 Moxie Girlz™ Magic Snow™ RC Cruiser
- 1 Remote Control



Illustrations may vary from actual contents.

## BEFORE YOU BEGIN

An adult must install batteries in the Cruiser. Here's how:

### CRUISER

1. Switch the ON/OFF switch to "OFF" then, using a Phillips screwdriver (not included) remove the screw and battery compartment cover located on the bottom of the Cruiser. (Fig.1)
2. Install four (4) AA alkaline batteries (not included) making sure the (+) and (-) ends face the proper direction as indicated inside the battery compartment.
3. Replace the compartment cover and tighten the screw.

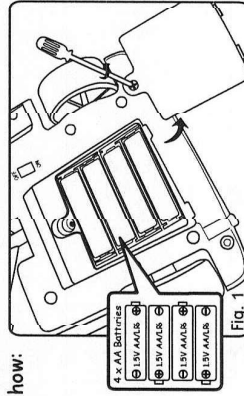


Fig. 1

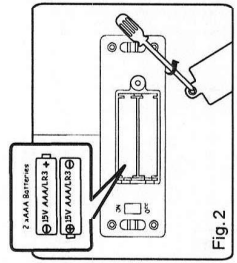


Fig. 2

## REMOTE CONTROL

An adult must install batteries in the Remote Control. Here's how:

1. Switch the ON/OFF switch to "OFF" then, using a Phillips screwdriver (not included) remove the screw and battery compartment cover on the back of the Remote Control. (Fig.2)
2. Install two (2) AAA alkaline batteries (not included) making sure the (+) and (-) ends face the proper direction as indicated inside the battery compartment. (Fig.2)
3. Replace the compartment cover and tighten the screw.

## QUICK START

Before going for a drive, make sure that your dolls (not included) are in place and buckled up:

1. Open the Cruiser door. (Fig. 3)
2. Place the doll in the driver or passenger seat.
3. Bring the seat belt down around the front of the doll's chest and secure it to the slot. (Fig. 4)
4. Close the door.

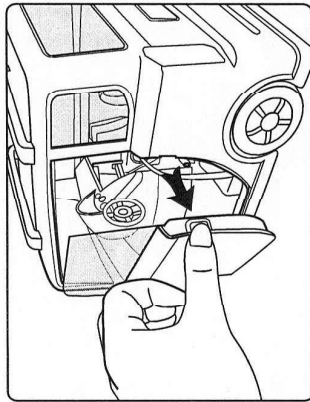


Fig. 3

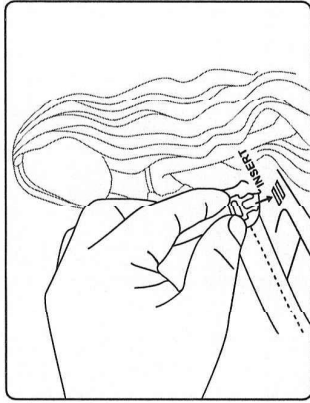


Fig. 4

## OPERATING THE CRUISER

1. Slide the ON/OFF switch on the bottom of the Cruiser to the "ON" position.
2. Slide the ON/OFF switch on the back of the Remote to the "ON" position.
3. Place the Cruiser on a flat surface.
4. Straighten the Antenna.
5. Use the Remote Control to drive your Cruiser by doing the following:
  - a. Press the left button of the Remote Control to go forward. (Fig. 5)
  - b. Press the right button of the Remote Control to back up and turn to the right. (Fig. 6)

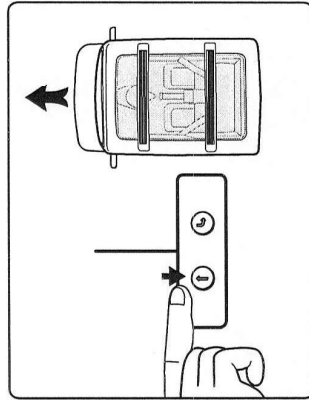


Fig. 5

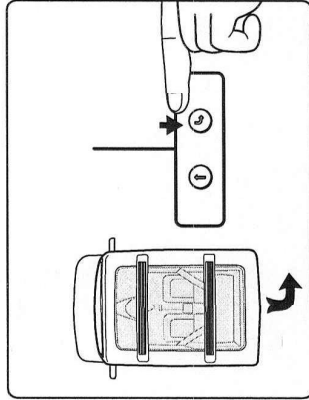


Fig. 6

## IMPORTANT INFORMATION

- When driving two RC Cruisers, they must be of different radio frequencies (e.g. one cruiser 49MHz and one cruiser 27MHz) or they may not perform as designed.
- When Cruiser is not being played with, turn the ON/OFF switches on both the Cruiser and Remote "OFF" to save battery power.
- Your Cruiser is controlled by radio frequency. It may interfere with nearby devices such as cordless phones, hair dryers, radios, walkie-talkies, or other radio controlled devices. If this occurs, move the Cruiser to a location away from the interference.
- The Cruiser must remain in remote control range to operate correctly. The range depends on the surrounding area and on the strength of the battery. Obstructions such as buildings, fences, etc., between the remote control transmitter and the Cruiser, reduce the range.
- If the Cruiser runs slowly, replace the batteries.
- **KEEP AWAY FROM WATER!** Do not run your Cruiser through puddles, or expose to liquid of any kind as moisture may damage the unit.

## TROUBLESHOOTING

IF THERE IS NO FUNCTION BETWEEN THE REMOTE CONTROL AND THE VEHICLE:

- Make sure the Remote Control and the Cruiser switches are in the "ON" position.
- Make sure the batteries are inserted properly.
- Replace the old batteries with new alkaline batteries.
- Move the Remote Control closer to the Cruiser to determine the best communication between the two.

## CAUTION:

- **DO NOT** sit or stand on any part of the Cruiser.
- **DO NOT** lift and/or drop the Cruiser as doing so may cause bodily injury to the user and irreparable damage to the Cruiser.
- Play with the Cruiser on the floor or ground only.
- **DO NOT** operate this Cruiser during thunderstorms.
- Keep hair, fingers, loose clothing and other items away from rotating wheels of the unit.

## ONLINE GAME ACCESS

YOUR SECRET GAME CODE IS F47H31

To access the game, you must create a user account at [moxiegirlz.com](http://moxiegirlz.com). Be sure to ask your parent or guardian's permission before registering online for a [moxiegirlz.com](http://moxiegirlz.com) account! **NOTE:** [moxiegirlz.com](http://moxiegirlz.com) requires a PC or Mac with a broadband (DSL, Cable, LAN) internet connection and screen resolution of at least 1024x768 at "millions of colors." For complete system requirements and website Terms & Conditions please visit [Moxiegirlz.com](http://Moxiegirlz.com).