

CHAT MOBILE

WARNING:
CHOKING HAZARD—Small parts.
Not for children under 3 years.

Ages: 5+

Item no. 367314

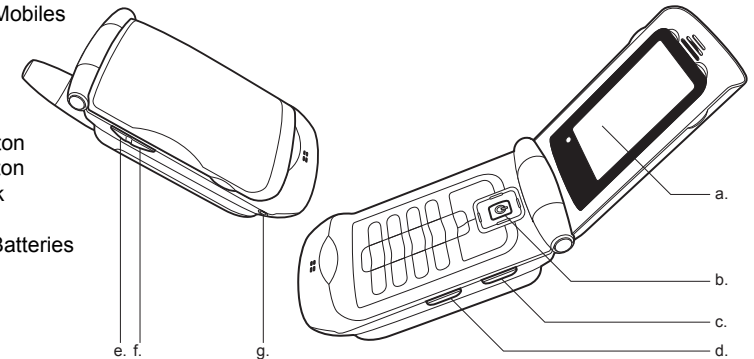
ADULT BATTERY INSTALLATION REQUIRED

INTRODUCTION

Welcome to the Bratz™ Chat Mobile – the hottest accessory for your mobile lifestyle. Every on-the-go Bratz™ girl needs to keep in contact with her BFFs, and this is the perfect high-tech tool. Chat at distances up to 2 miles, carry a picture of your friends in the photo frame, and more!

CONTENTS

- 2 Bratz™ Chat Mobiles
 - a. Photo Frame
 - b. Power button
 - c. Talk button
 - d. Call button
 - e. Volume + button
 - f. Volume – button
 - g. Earpiece Jack
- 6 AAA Alkaline Batteries



Illustrations may vary from actual contents.

BEFORE YOU BEGIN

Before you can chat with your your Bratz™ Chat Mobile, have an adult follow these steps to install the batteries:

1. Using a Phillips screwdriver (not included), remove the screw from the battery compartment cover from the back of the Bratz™ Chat Mobile (Fig. 1).
2. Place your thumb in the recess on the back of the unit and, while pressing down firmly, slide open the battery compartment door on the back of each unit.
3. Install three (3) AAA alkaline batteries (included) in each Bratz™ Chat Mobile, making sure the (+) and (-) ends face the proper direction as indicated inside the battery compartment.
4. Replace the compartment cover, slide it closed, and tighten the screw.

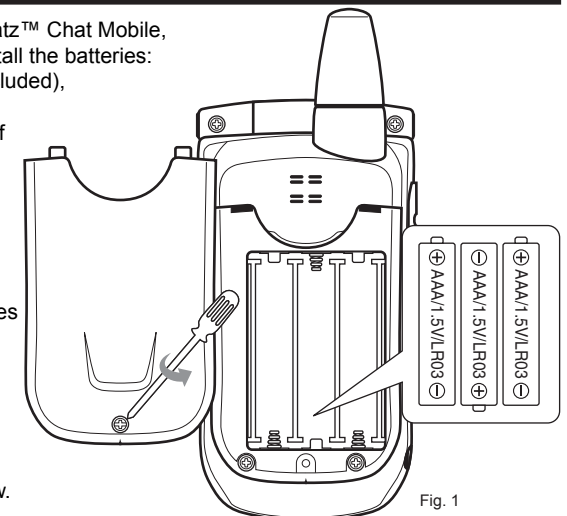


Fig. 1

Please keep this manual as it contains important information.



1007-0-E

www.bratz.com
 TM & © MGA Entertainment, Inc.
 BRATZ™, BRATZ PETZ™, LIL' BRATZ™,
 BRATZ BABYZ™, BRATZ KIDZ™ and all
 related logos, names, characters, distinctive
 likenesses and slogans, as well as the
 packaging and images appearing thereon,
 are the exclusive property of MGA.
 16300 Roscoe Blvd.
 Van Nuys, CA 91406 USA
 (800) 222-4685
Printed in China.

The preferred method of contact for
 Customer Service is through our e-mail
 contact form at www.mgae.com



QUICK START

Turning On/Off the Bratz™ Chat Mobile

1. Hold down the Power button for two seconds to turn the power on.
2. When you are done using your Bratz™ Chat Mobile, hold down the Power button again for two seconds to turn the power off.

NOTE: Remember to always shut your Bratz™ Chat Mobile off when you are not using it to avoid draining the batteries.

Using the Bratz™ Chat Mobile

1. When powered on, the Bratz™ Chat Mobile is always in Listening Mode, allowing you to hear what other nearby Bratz™ Chat Mobile users are saying!
2. To change the volume, press the Volume + and – buttons.
3. When you want to talk, just hold down the Talk button and speak. Release the Talk button to listen.
4. Press the Call button to make other Bratz™ Chat Mobiles ring!

Personalize Your Bratz™ Chat Mobile

- Lift the cover of the photo frame and slide a picture of your BFF inside! (Fig. 2)

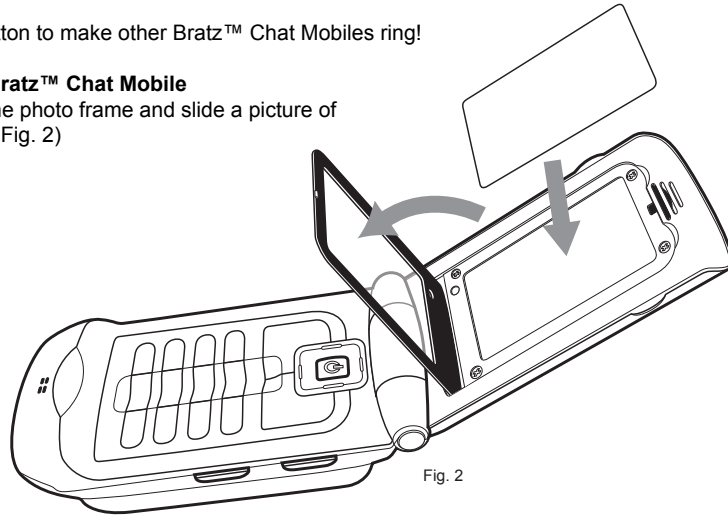


Fig. 2

- Want to go hands-free? Insert any standard 2.5mm cell phone earpiece (not included) into the Earpiece Jack (Fig. 3). You will now hear the audio from the Bratz™ Chat Mobile in your earpiece!

NOTE: To talk while using an earpiece, hold the Talk button down as you normally would.

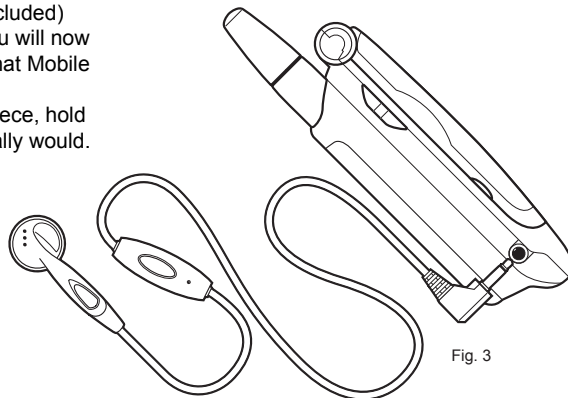


Fig. 3

SAFE BATTERY USAGE

- Use alkaline batteries for best performance and longer life.
- Use only the type battery recommended for the unit.
- Batteries should be replaced only by an adult.
- Insert batteries with the correct polarity (+ and –).
- Do not mix old and new batteries.
- Do not mix alkaline, standard (carbon-zinc), or rechargeable (nickel-cadmium) batteries.
- Do not short-circuit batteries.
- When not used for an extended time, remove batteries to prevent possible leakage and damage to the unit.
- Do not mix rechargeable and non-rechargeable batteries.
- Rechargeable batteries are to be removed from the toy before charging.
- Rechargeable batteries are to be recharged only under adult supervision.
- Do not recharge non-rechargeable batteries.
- Exhausted batteries are to be removed from the toy.
- Do not dispose of batteries in fire as they may leak or explode.

NOTE: The voltage of a fully-charged, rechargeable battery is often lower than that of a fresh alkaline battery. Therefore, it is recommended that alkaline batteries be used instead of rechargeable batteries for best performance and for longest play time.

DISPOSAL OF BATTERIES: Do not treat old batteries as household waste. Take them to a designated recycling facility.

FCC STATEMENT

NOTE: This equipment has been tested and found to comply with the limits for Class B digital device, pursuant to Part 15 of FCC Rules. These limits are designed to provide reasonable protection against harmful interference in a residential installation. This equipment generates, uses and can radiate radio frequency energy and, if not installed and used in accordance with the instructions, may cause harmful interference to radio communications. However, there is no guarantee that interference will not occur in a particular installation. If this equipment does cause harmful interference to radio or television reception, which can be determined by turning the equipment off and on, the user is encouraged to try to correct the interference by one or more of the following measures:

- Reorient or relocate the receiving antenna.
- Increase the separation between the equipment and receiver.
- Connect the equipment into an outlet on a circuit different from that to which the receiver is connected.
- Consult the dealer or an experienced radio/TV technician for help.

This device complies with Part 15 of the FCC Rules. Operation is subject to the following two conditions: (1) This device may not cause harmful interference, and (2) this device must accept any interference received, including interference that may cause undesired operation.

Warning: Changes or modifications to this unit not expressly approved by the party responsible for compliance could void the user's authority to operate the equipment.



'Let's care for the environment!'

The wheelie bin symbol indicates that the product must not be disposed of with other household waste. Please use designated collection points or recycling facilities when disposing of the item.

Do not treat old batteries as household waste. Take them to a designated recycling facility.

Supplementary Instruction Manual

FCC WARNING STATEMENT

Warning: Changes or modifications to this equipment not expressly approved by the party responsible for compliance could void the user's authority to operate the equipment.

Warning: Any adjustment to this equipment is recommended to be performed by or under the immediate supervision and responsibility of a person certified as technically qualified to perform transmitter maintenance and repair duties in the private land mobile services and fixed services by an organization or committee representative of users of those services.

Warning: Replacement of any transmitter component (crystal, semiconductor, etc.) for this equipment could result in violation of FCC rules.

NOTE: This equipment has been tested and found to comply with the limits for a Class B digital device, pursuant to Part 15 of the FCC Rules. These limits are designed to provide reasonable protection against harmful interference in a residential installation. This equipment generates, uses and can radiate radio frequency energy and, if not installed and used in accordance with the instructions, may cause harmful interference to radio communications.

However, there is no guarantee that interference will not occur in a particular installation. If this equipment does cause harmful interference to radio or television reception, which can be determined by turning the equipment off and on, the user is encouraged to try to correct the interference by one or more of the following measures:

- Reorient or relocate the receiving antenna.
- Increase the separation between the equipment and receiver.
- Connect the equipment into an outlet on a circuit different from that to which the receiver is connected.
- Consult the dealer or an experienced radio/TV technician for help.

Cell phone earpiece must be used with this equipment to ensure compliance with the Class B FCC limits.

SAFETY INFORMATION

Your wireless hand-held portable transceiver contains a low power transmitter. When the Push-to-Talk (PTT) button is pushed it sends out radio frequency (RF) signals. The device is authorized to operate at a duty factor not to exceed 50%. In August 1996, the Federal Communications Commissions (FCC) adopted RF exposure guidelines with safety levels for hand-held wireless devices.

CAUTION: To maintain compliance with the FCC's RF exposure guidelines hold the transmitter and antenna at least 1 inch (2.5 centimeters) from your face and speak in a normal voice, with the antenna pointed up and away from the face. If you wear the handset on your body while using the headset accessory, use only the supplied belt clip for this product and when transmitting, take it out of the belt to ensure that the antenna is at least 1 inch (2.5 centimeters) from your body.

Use only the supplied antenna. Unauthorized antennas, modifications, or attachments could damage the transmitter and may violate FCC regulations.