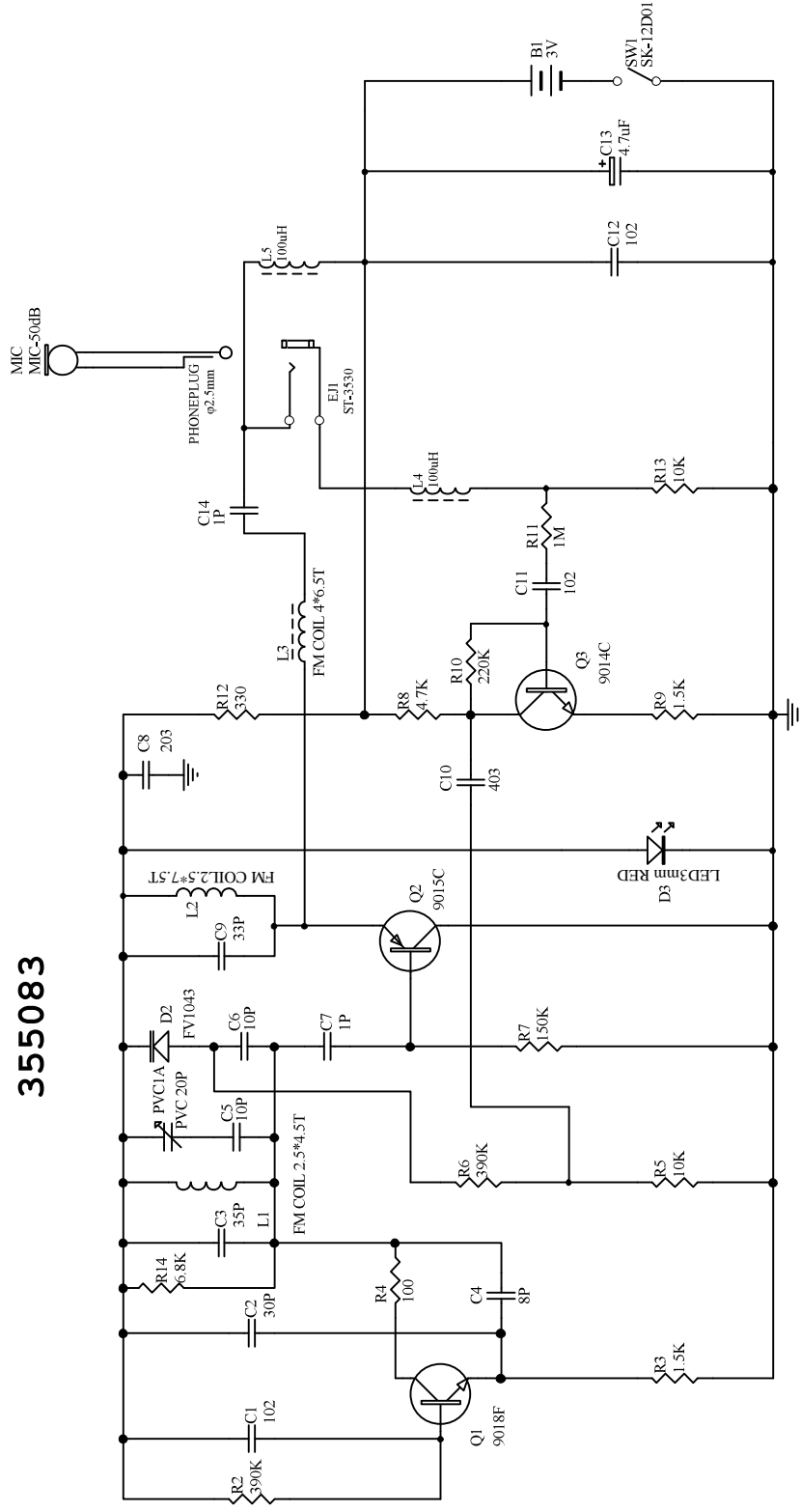


355083



Title	
Size	Revision
A4	355083
Date:	Sheet of
Z:\M\G\A\355083\355083.dtb	Drawn By:

