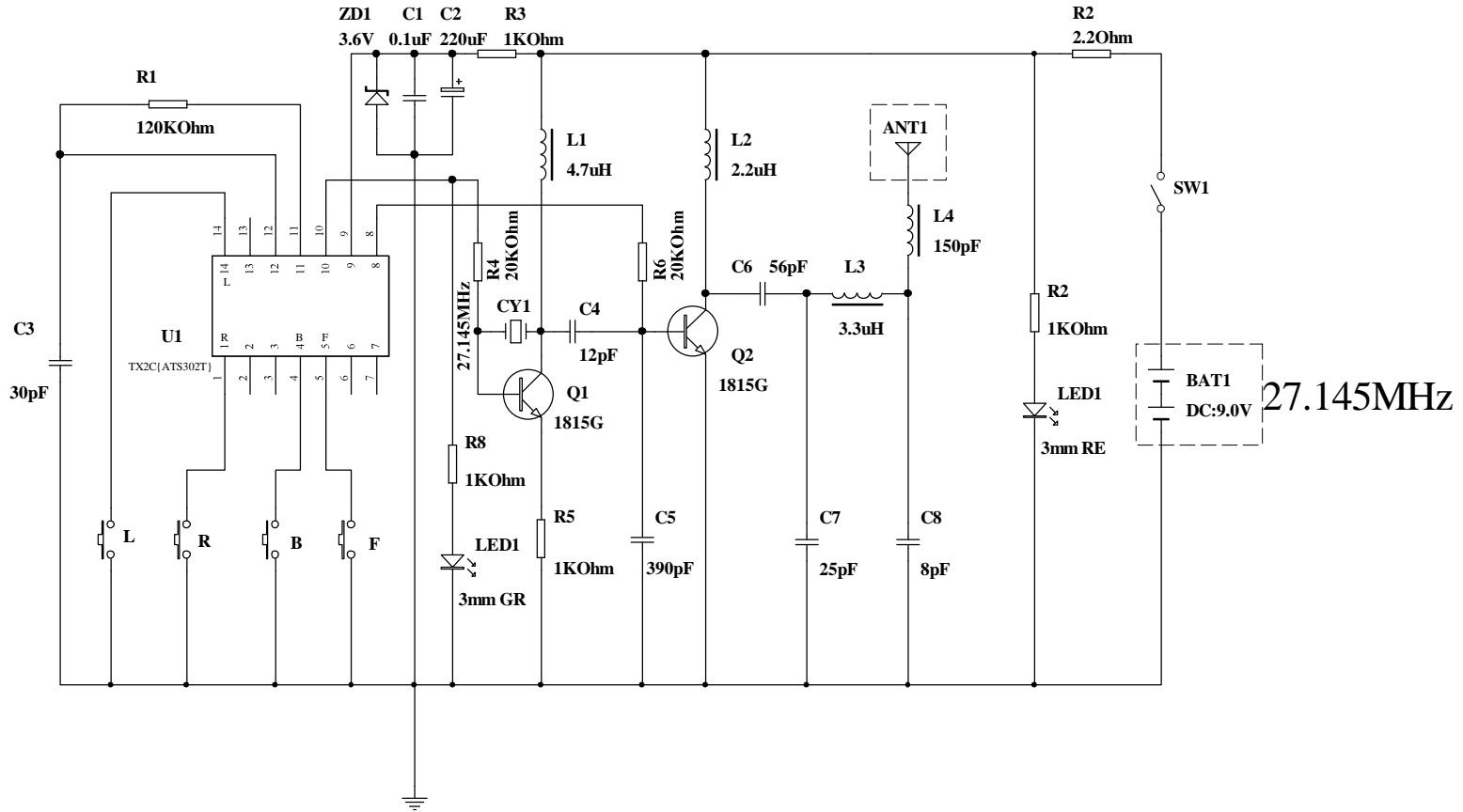


SCHEMATIC DIAGRAM

REV:	DETAIL OF CHANGE	DATE	PREPARED	CHECKED	APPROVED



MGA	
PRODUCT NUMBER: 354291(27.145MHz)	DRAWN:
PRODUCT NAME: Bratz Kidz Snowmobile TX	CHECKED:
PAGE 1 OF 2	APPROVED: