

WOLVERINE MONSTER TRUCK R/C

Item no.: 335719

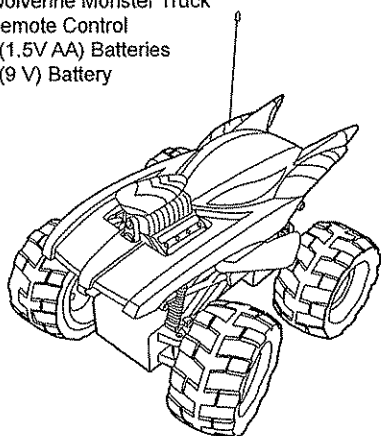
Ages 6+

INTRODUCTION

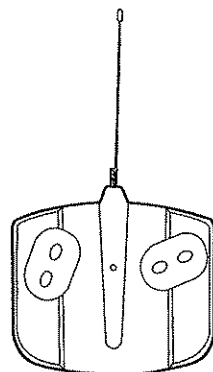
It's time to hit the road in monster crushing style! These huge radio-controlled Marvel™ Monster Trucks are strong and unstoppable just like your favorite Marvel™ heroes!

CONTENTS

- 1 Wolverine Monster Truck
- 1 Remote Control
- 6 - (1.5V AA) Batteries
- 1 - (9 V) Battery



Wolverine Monster Truck



Remote Control

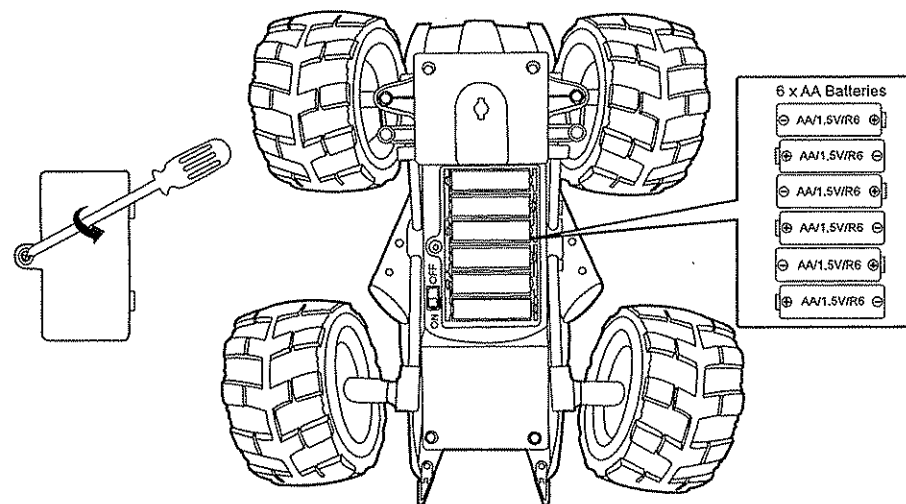
BEFORE YOU BEGIN

Before setting your sights on your next crushing victim, here's how to install batteries in your mean machine:

VEHICLE

1. Using a Phillips screwdriver (not included) remove the screw and battery compartment cover from the bottom of the vehicle. (See Fig. 1)
2. Install six (6) 1.5V AA alkaline batteries (included) making sure the (+) and (-) ends face the proper direction as indicated inside the battery compartment.
3. Replace the compartment cover and tighten the screw.

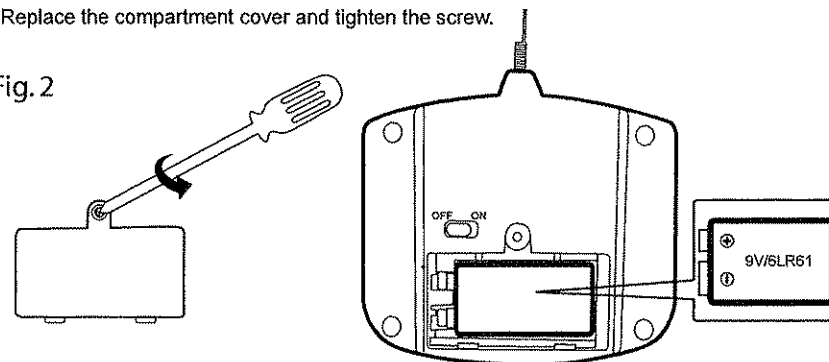
Fig. 1



REMOTE CONTROL

1. Using a Phillips screwdriver (not included) remove the screw and battery compartment cover from the back of the remote control. (See Fig. 2)
2. Install one (1) 9-Volt alkaline battery (included) making sure the (+) and (-) ends face the proper direction as indicated on the battery connector.
3. Replace the compartment cover and tighten the screw.

Fig. 2

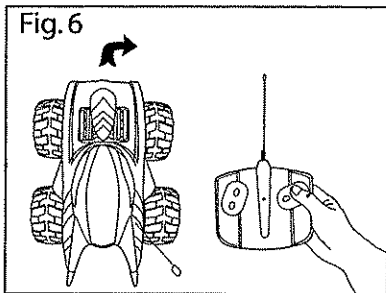
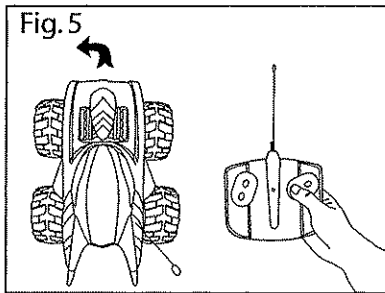
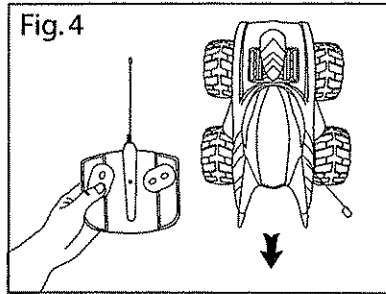
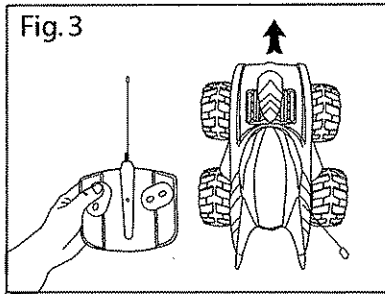


QUICK START

Get ready to roll like thunder! Here's how to get your Marvel™ Monster Truck moving:

1. Turn the ON/OFF switch on the bottom of the Vehicle to ON. (See Fig. 1)
2. Turn the ON/OFF switch on the Remote Control to ON. (See Fig. 2)
3. Place the Vehicle on a flat, level surface away from traffic of any kind.
4. Operate the vehicle with the remote control by using the rocker switches.
 - a. Left rocker switch
 - Press up to move vehicle forward. (See Fig. 3)
 - Press down to move vehicle backward. (See Fig. 4)
 - b. Right rocker switch
 - Press left to move vehicle to the left. (See Fig. 5)
 - Press right to move vehicle to the right. (See Fig. 6)

Use combinations of the two rocker switches for tight turns, quick maneuvers and fast acceleration. Invite your friends to bring their Spider-man™ Monster Trucks for exciting crushing and racing action!



SAFE BATTERY USAGE

Under unusual conditions, batteries may leak. The leakage can damage this product or cause a chemical burn injury if touched. To minimize battery leakage:

- Non-rechargeable batteries are not to be recharged.
- Rechargeable batteries are to be removed from the toy before being charged.
- Rechargeable batteries are only to be charged under adult supervision.
- Different types of batteries or new and used batteries are not to be mixed.
- Only batteries of the same or equivalent type as recommended are to be used.
- Batteries are to be inserted with the correct polarity.
- Exhausted batteries are to be removed from the toy.
- The supply terminals are not to be short-circuited.
- Do not dispose the batteries in fire, batteries may leak or explode.
- Batteries should be replaced by adult.
- Use alkaline batteries for better performance

FCC COMPLIANCE

This equipment has been tested and found to comply with the limits for a Class B digital device, pursuant to Part 15 of the FCC Rules. These limits are designed to provide reasonable protection against harmful interference in a residential installation. This equipment generates, uses and can radiate radio frequency energy and, if not installed and used in accordance with the instructions, may cause harmful interference to radio communications. However, there is no guarantee that interference will not occur in a particular installation. If this equipment does cause harmful interference to radio or television reception, which can be determined by turning the equipment off and on, the user is encouraged to try to correct the interference by one or more of the following measures:

- Reorient or relocate the receiving antenna.
- Increase the separation between the equipment and receiver.
- Connect the equipment into an outlet on a circuit different from that to which the receiver is connected.
- Consult the dealer or an experienced radio/TV technician for help.

Changes or modifications to this unit not expressly approved by the party responsible for compliance could void the user's authority to operate the equipment.

This device complies with Part 15 of the FCC Rules. Operation is subject to the following two conditions: (1) this device may not cause harmful interference, and (2) this device must accept any interference received, including interference that may cause undesired operation.

IMPORTANT

- MODIFICATIONS NOT AUTHORIZED BY THE MANUFACTURER MAY VOID THE USER'S AUTHORITY TO OPERATE THIS DEVICE.
- EMISSIONS OR INTERFERENCE OF SURROUNDING ELECTRONIC EQUIPMENT MAY AFFECT OPERATING PERFORMANCE.

CAUTION

- DO NOT operate this vehicle during thunderstorms.
- DO NOT expose the vehicle or remote control to water or moisture of any kind as it may cause irreparable damage to the unit.
- Keep hair, loose clothing and other items away from rotating wheels of the unit.

HELPFUL HINTS

- Since your vehicle is controlled by radio frequency, it may interfere with other radio controlled devices. If this occurs, move the vehicle to another location away from the interference.
- The vehicle must remain in remote control range to operate correctly. The range depends on the surrounding area and on the strength of the battery. Obstructions such as buildings, fences, etc., between the remote control transmitter and the vehicle may reduce the range.
- If the vehicle begins to run slowly, replace the batteries with fresh alkaline batteries.

Please keep this manual as it contains important information.



TM & © MGA
Entertainment, Inc.
16300 Roscoe Blvd.
Van Nuys, CA 91406 USA
(800) 222-4685
Printed in China



MARVEL HEROES and the distinctive likenesses thereof are trademarks of Marvel Characters, Inc. and are used with permission. Copyright © 2006 Marvel Characters, Inc. All rights reserved.
www.marvel.com
The Wolverine Monster Truck R/C is produced and distributed by MGA Entertainment, Inc.

The preferred method of contact for Customer Service is through our e-mail contact form at www.mgae.com



0606-0