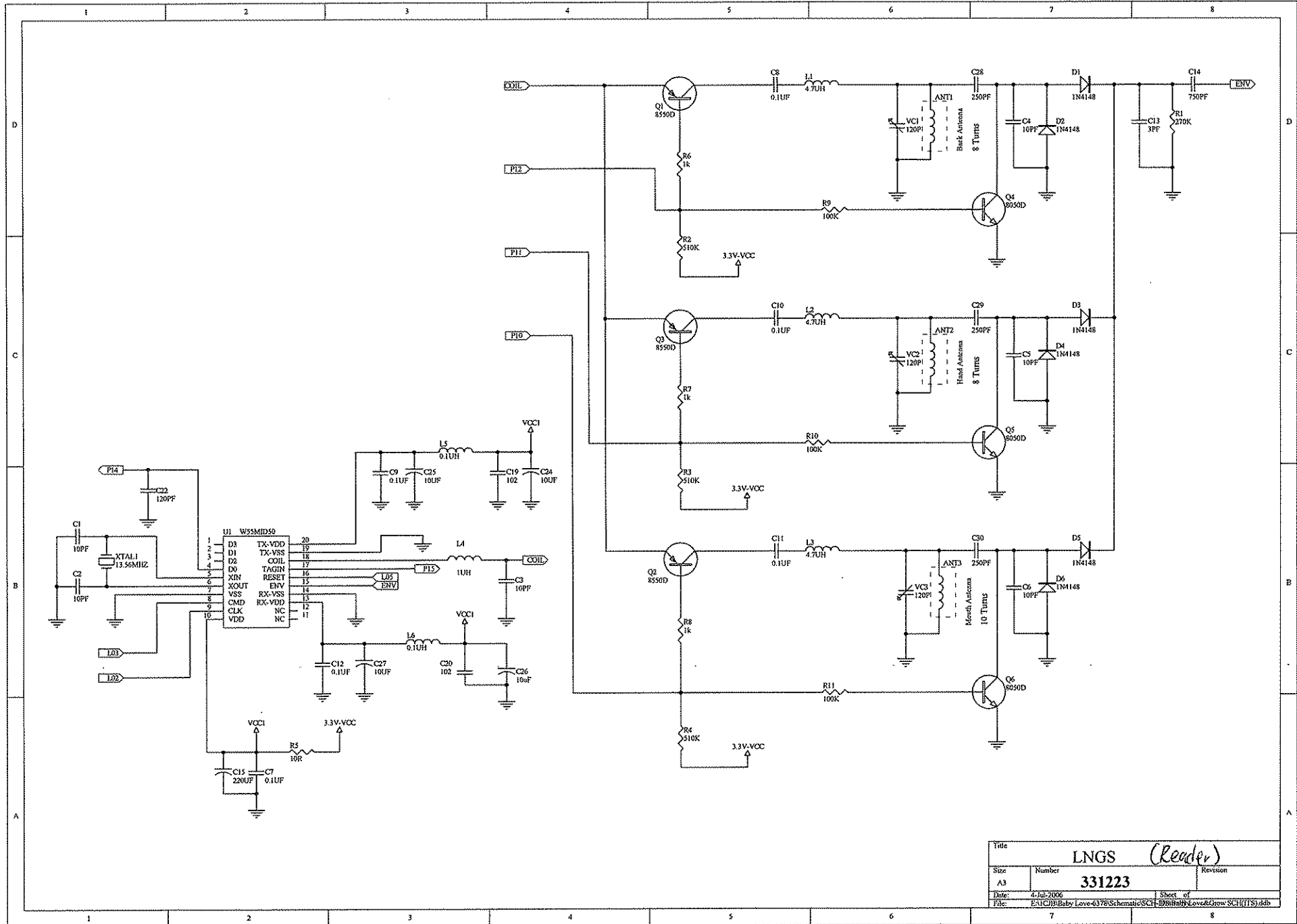
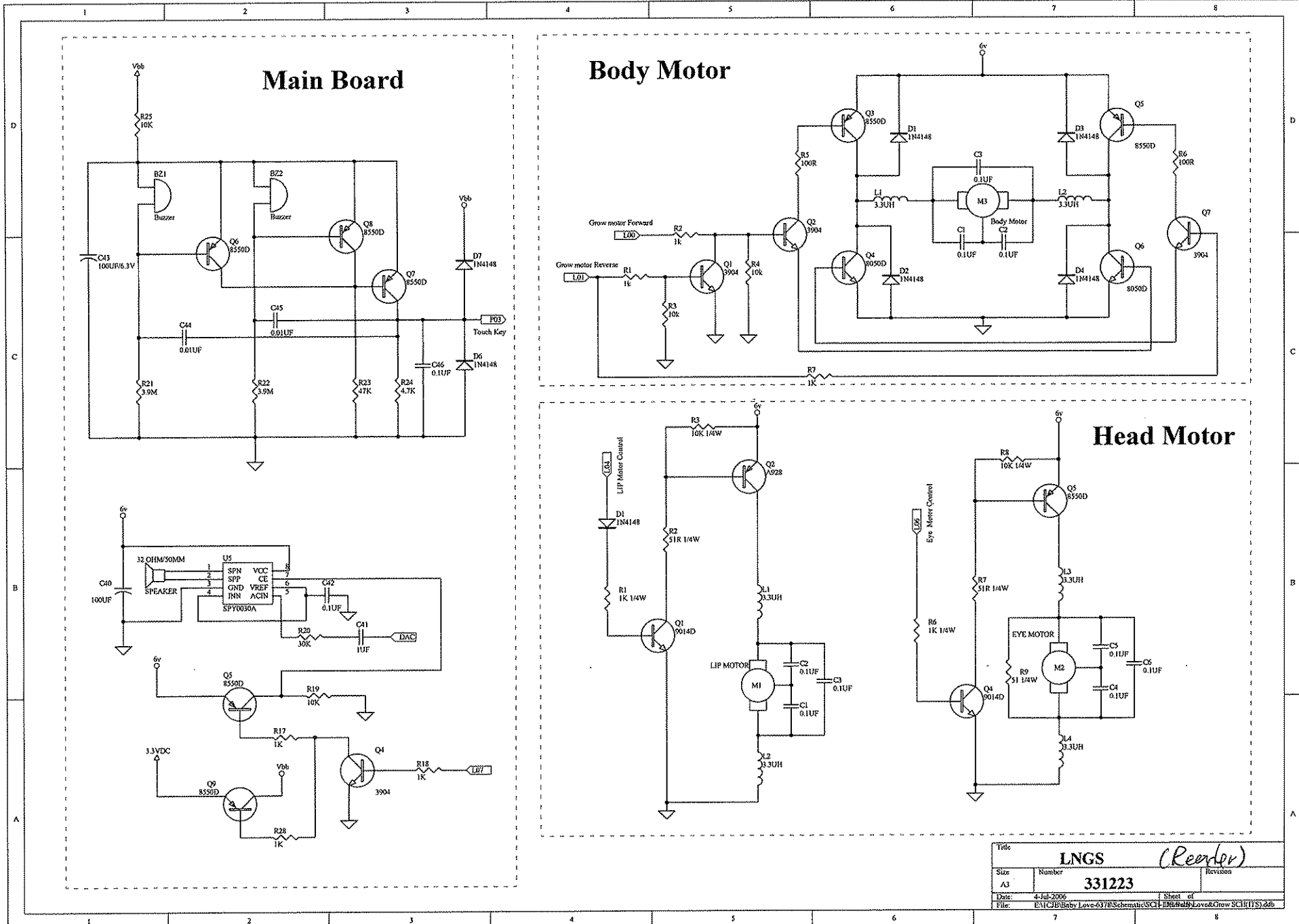


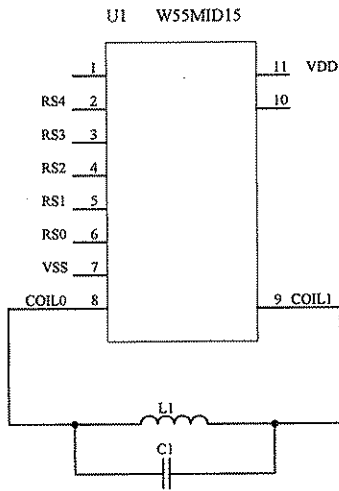
Title		
LNCS (Reader)		
Size	Number	Revision
A3	331223	
Date:	4-Jul-2006	Sheet of
File:	E:\CIRCUIT\Baby Love-6378\Schematic\SCHEMATIC\Baby Love&Grow SCIR(TTS).dbb	



Title		LNCS (Reader)	
Size	Number	Revision	
A3	331223		
Date:	4-Jul-2006	Sheet of	
File:	EAI(China)Baby Love-6378SchematicSCH-09mBabyLove&Grow SCH(1TS).ddb		



Title		LNGS (Revised)	
Size	Number	Revision	
A3	331223		
Date:	4-Jul-2006	Sheet of 1	
File:	E:\TC\B\Baby Love-0378\Schematic\SC1-ENR\BabyLove&Grow SCR(1)S.dtl		



NO.	ID Name	ID NO.	RS4	RS3	RS2	RS1	RS0	CI Value	L1 Turns
1	Bottle	1010100001	X	X	X	0	1	22 PF	24 Turns
2	Cup	1010100100	X	X	X	1	0	22 PF	24 Turns
3	Diaper	1010100101	X	X	X	1	1	68 PF	13 Turns
4	Pacifier	1000001010	X	0	0	X	X	22 PF	24 Turns
5	Potty	1000011010	X	0	1	X	X	33 PF	18 Turns
6	Blanket	1001001010	X	1	0	X	X	68 PF	13 Turns
7	BabySpoon	1001011010	X	1	1	X	X	22 PF	24 Turns
8	ToddlerSpoon1	0000101010	0	0	X	X	X	22 PF	24 Turns
9	ToddlerSpoon2	0001101010	0	1	X	X	X	22 PF	24 Turns

Note:
 0=Connect to VSS ID=00
 1=Connect to VDD ID=01
 X=No Connect ID=10

Title			LNCS RF ID TOYS (tags)		
Size	Number	Revision			
A4	331223				
Date:	4-Jul-2006	Sheet of			
File:	E:\CJB\Baby Love-6378\Schematic\SCH-Drawn By Love&Grow SCH(ITS).ddb				