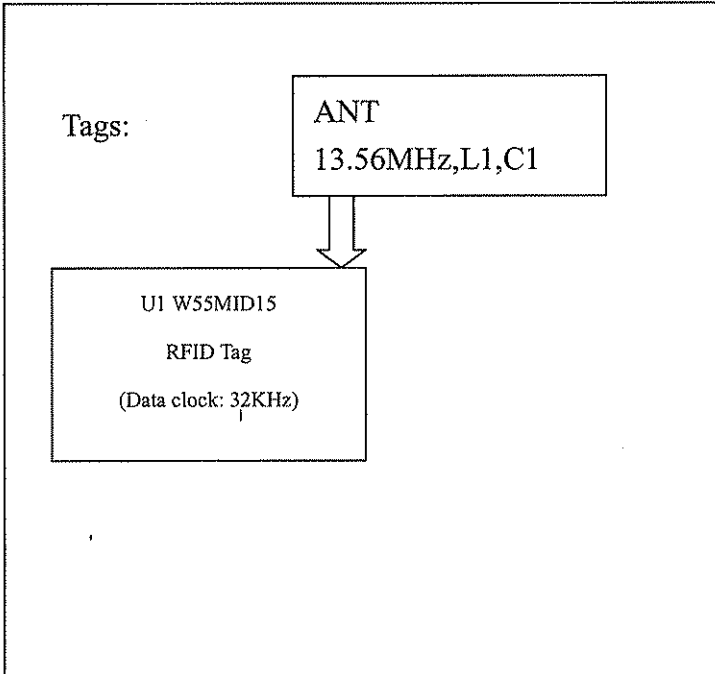
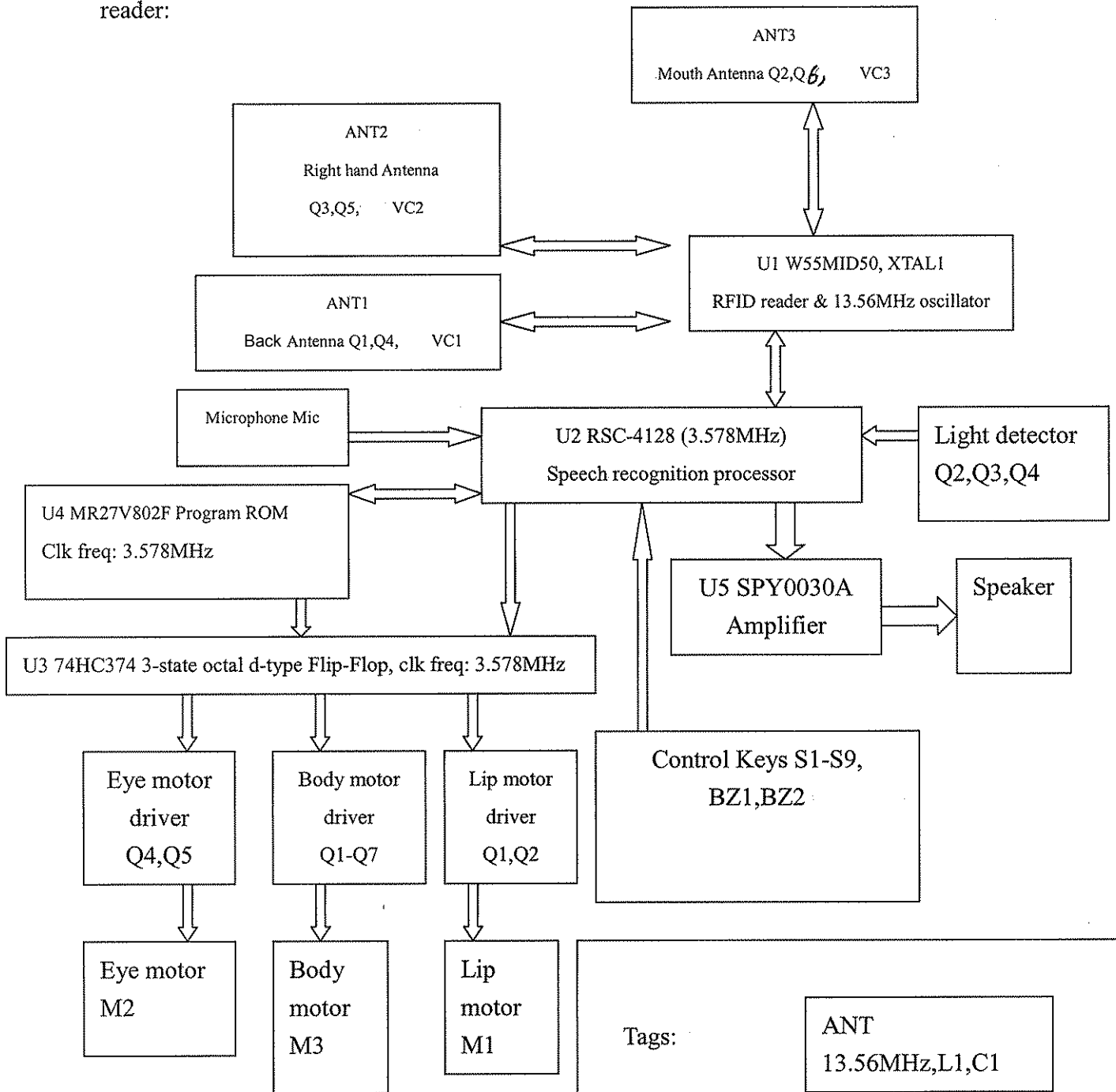
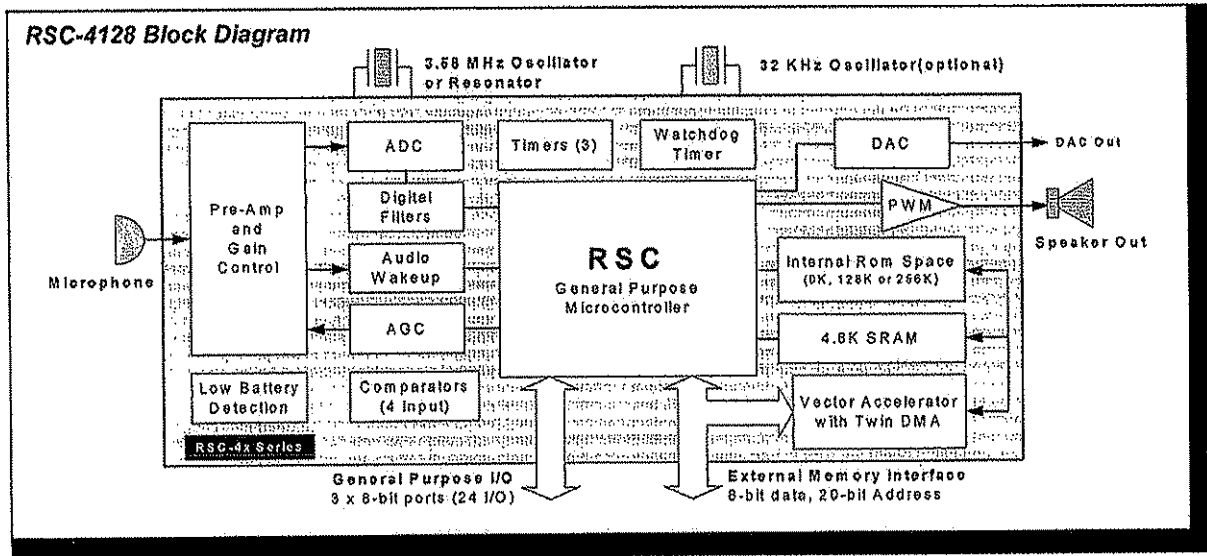


**Block diagram**  
**Model no: 331223**

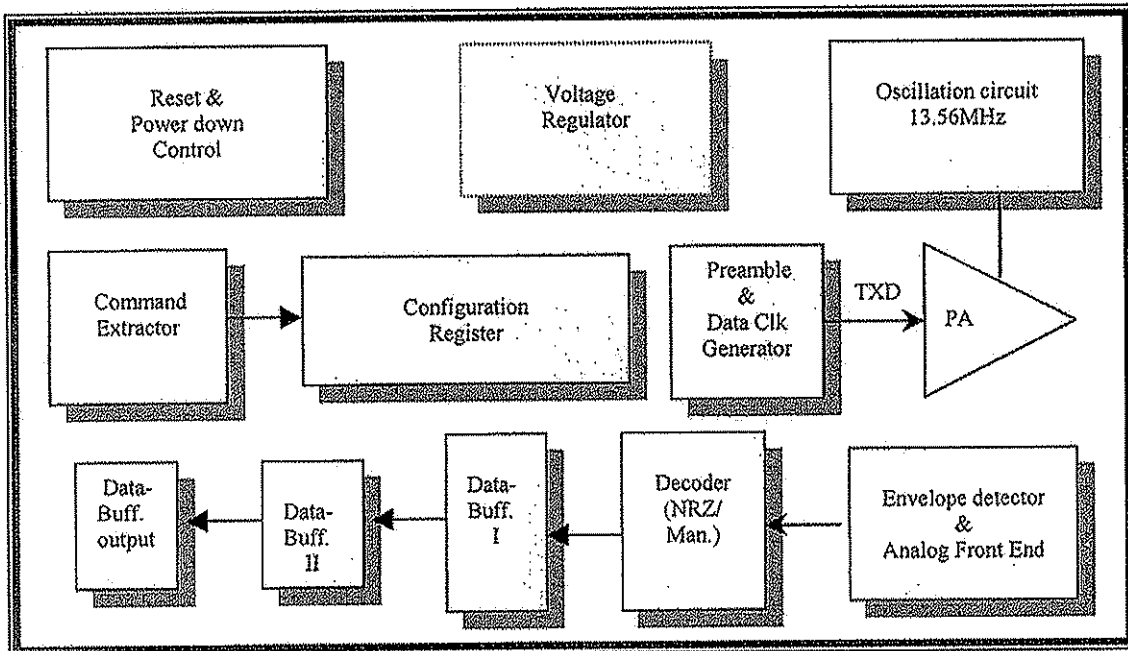
reader:



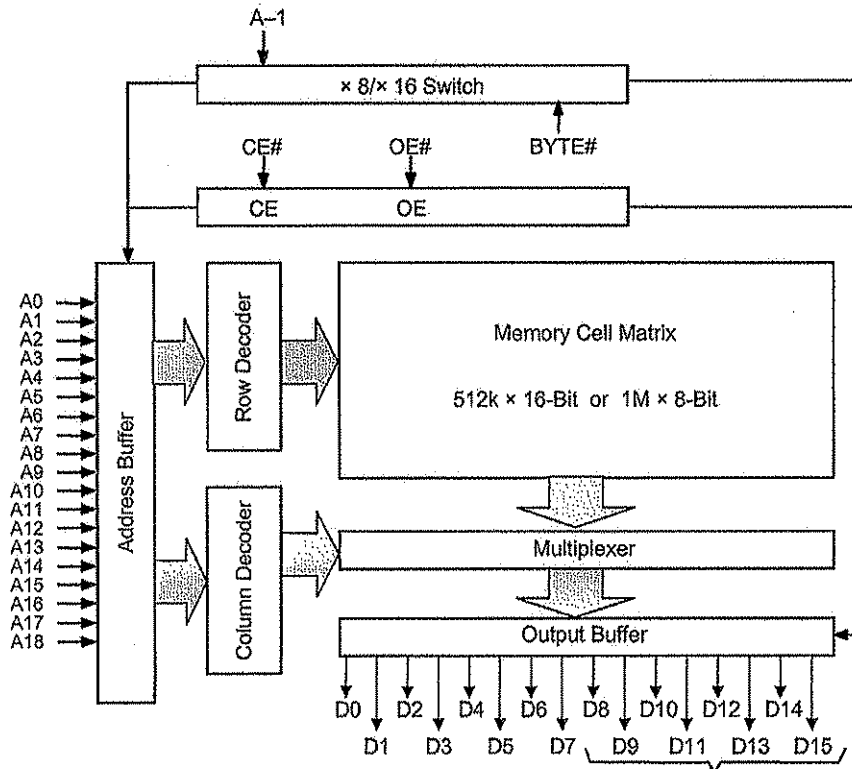
# U2 RSC-4128



# U1 W55MID50



# U4 MR27V802F



In 8-bit output mode, these pins are placed in a high-Z state and pin D15 functions as the A-1 address pin.

# U1 W55MID15

