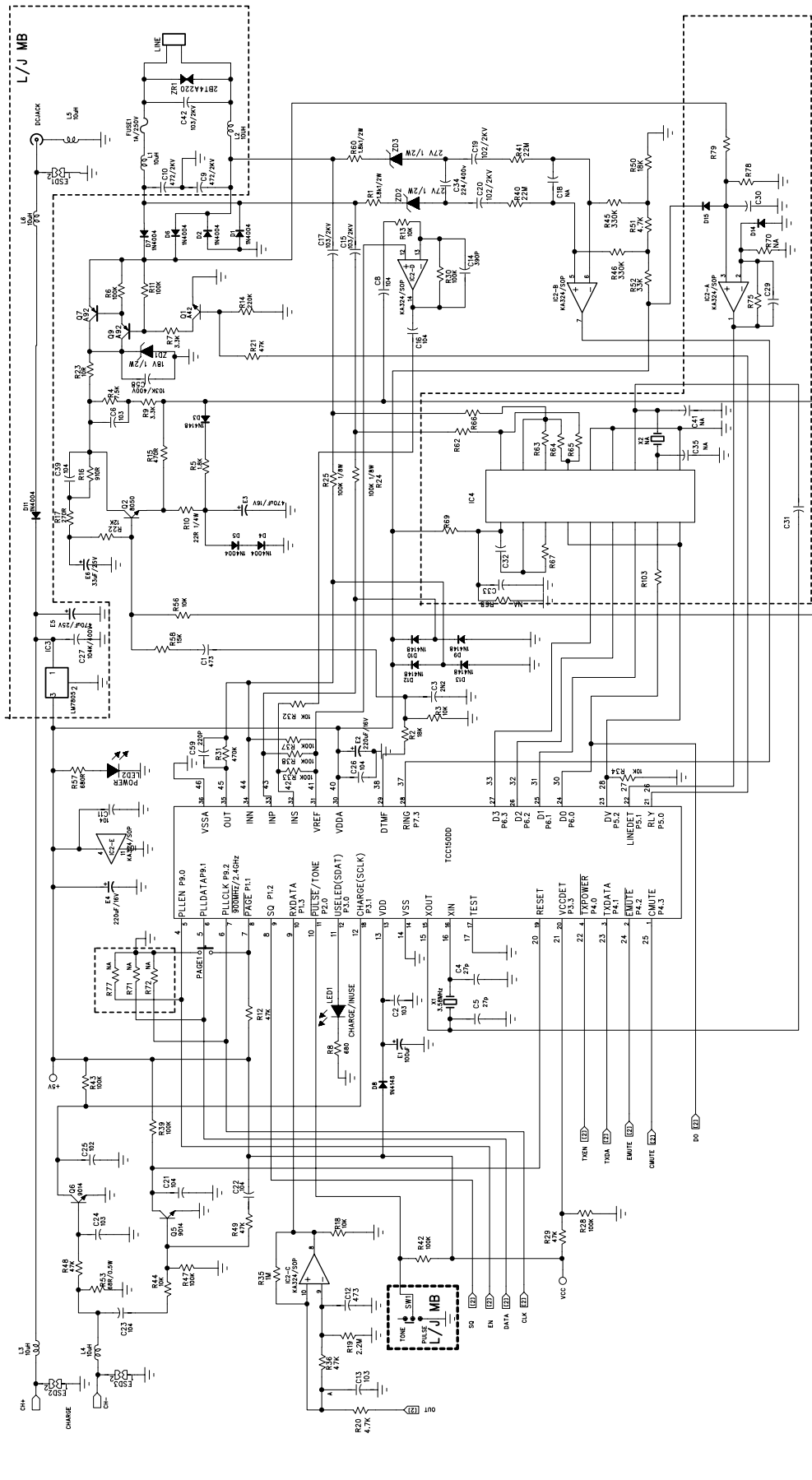


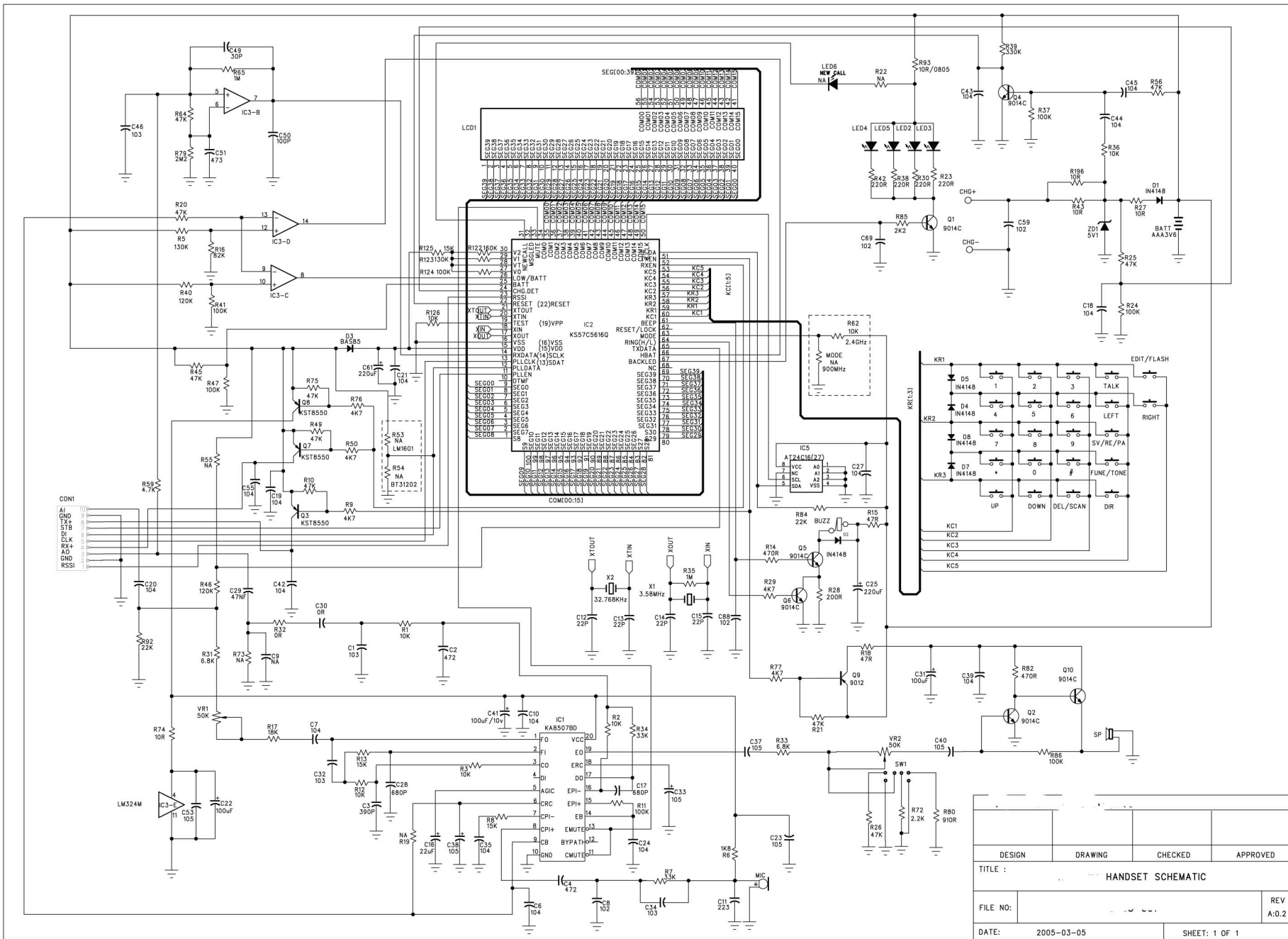
L/J MB



REVOUT 023

A1-M 020

C7 020



DESIGN	DRAWING	CHECKED	APPROVED
TITLE : HANDSET SCHEMATIC			
FILE NO:			REV A:0.2
DATE:	2005-03-05	SHEET: 1 OF 1	