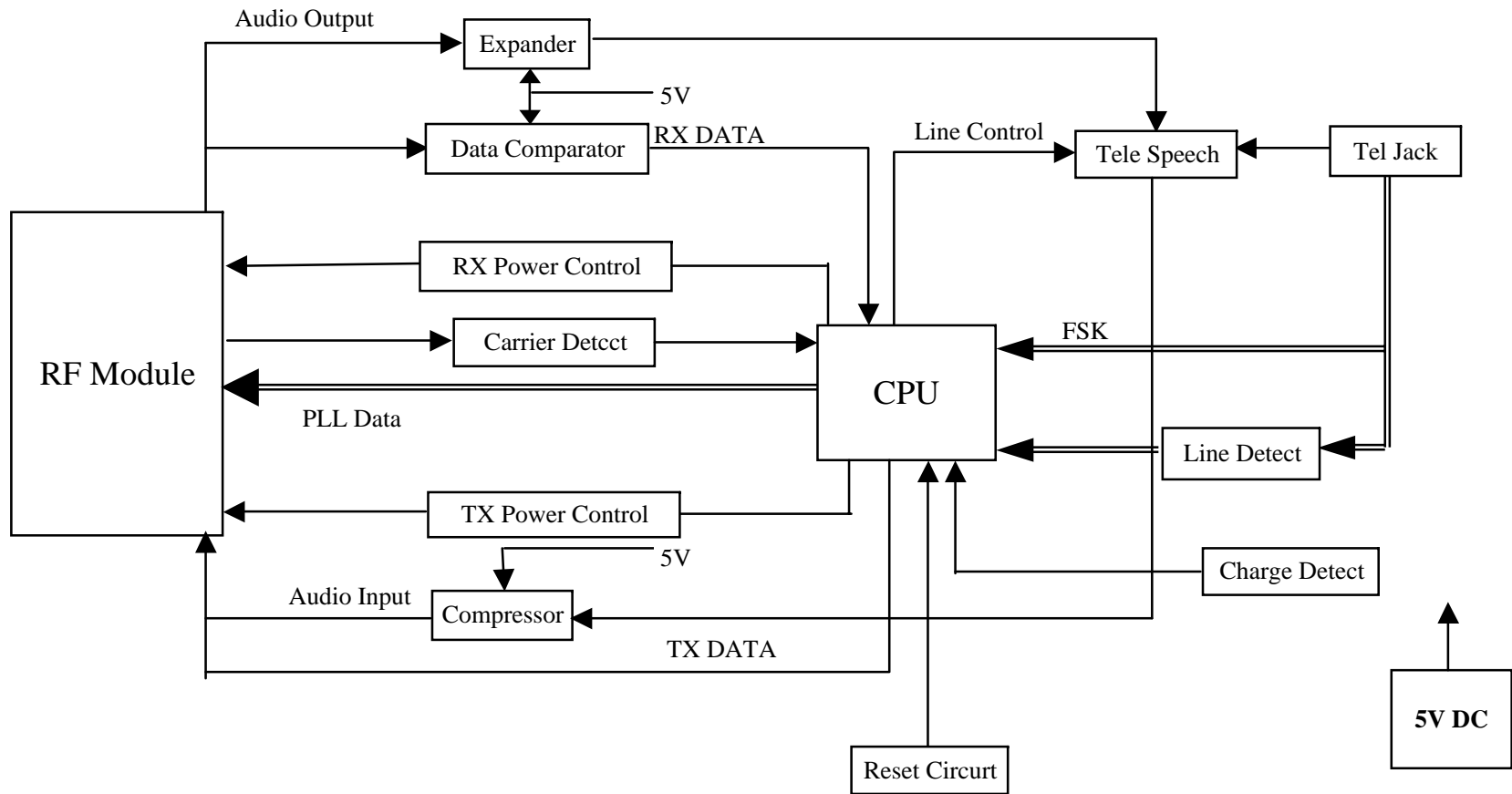
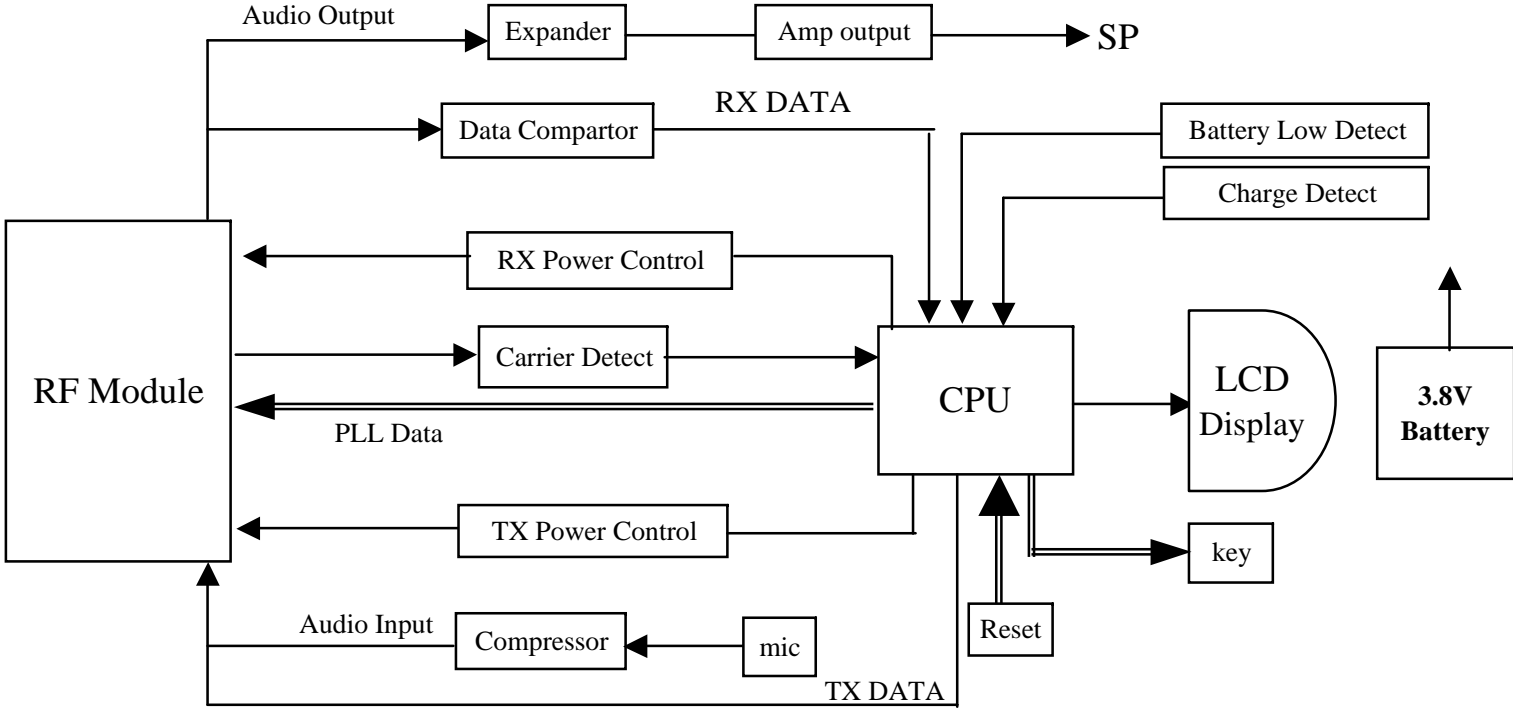


## Base Block Diagram



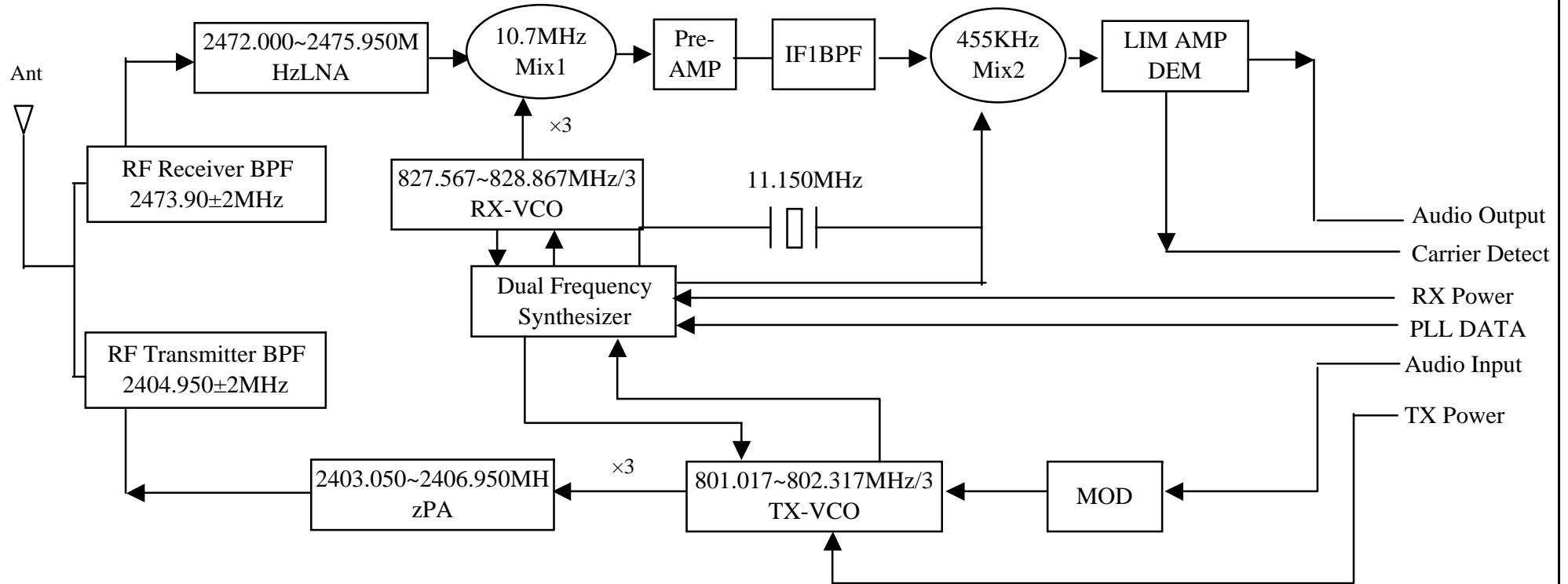
APPROVAL	CHECK	PREPARE

# Hand Block Diagram



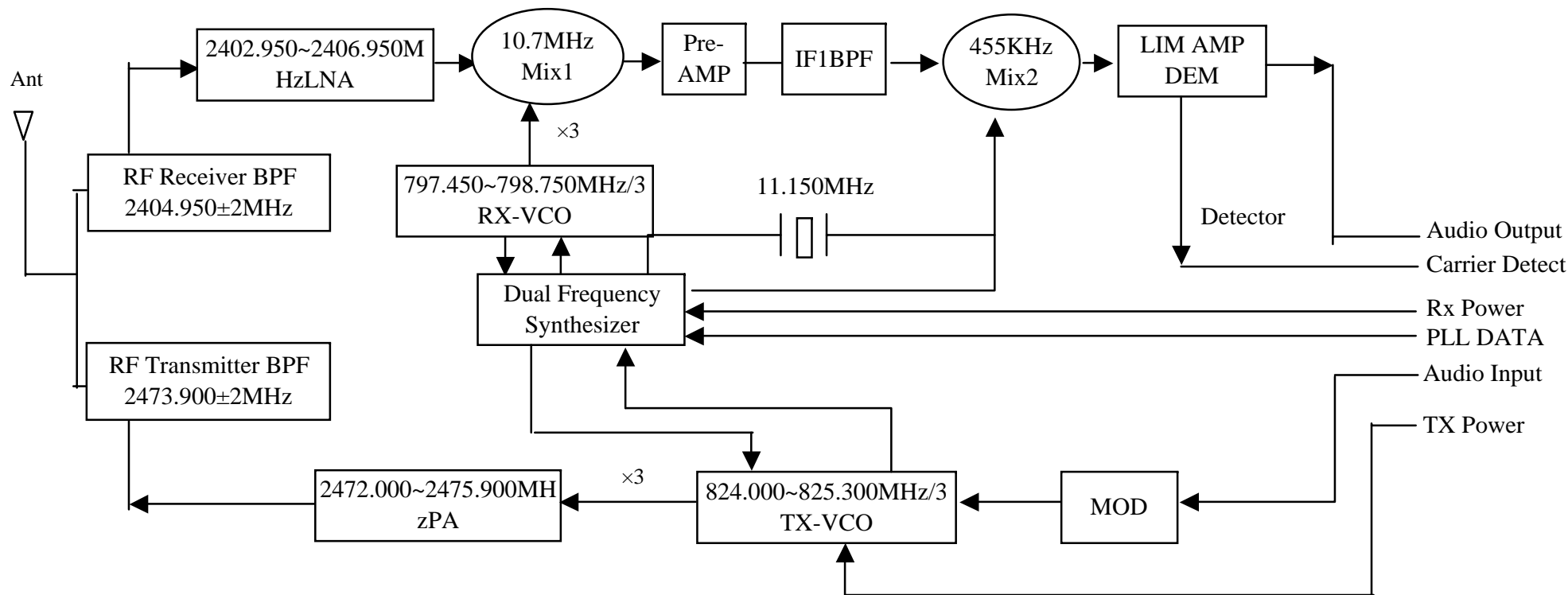
APPROVAL	CHECK	PREPARE

## Base RF Module Block Diagram



APPROVAL	CHECK	PREPARE

## Hand RF Module Block Diagram



APPROVAL	CHECK	PREPARE