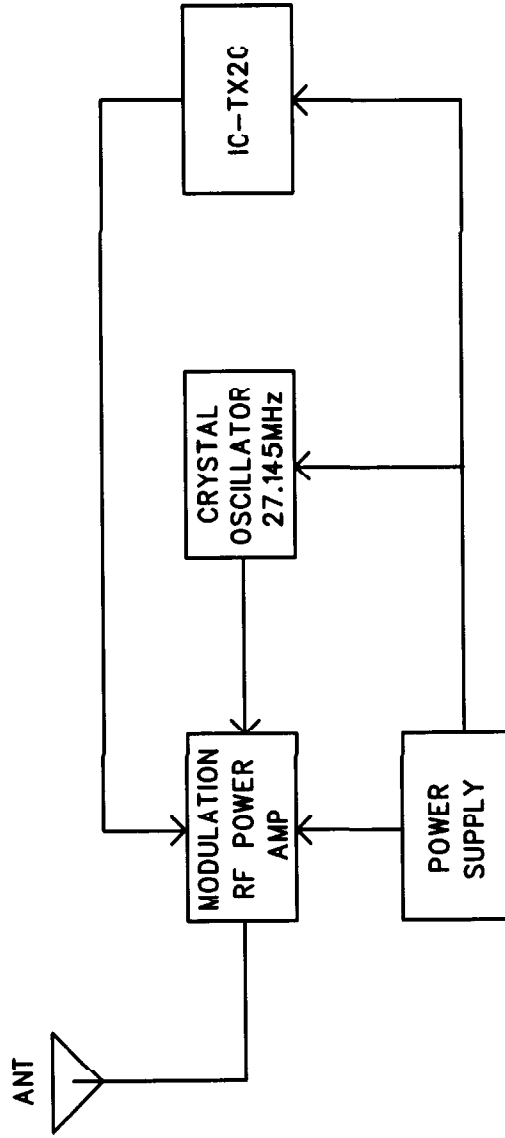


TX 27M Block Diagram

FM cruiser #277088



CIB P/N:		
MODEL:	FM Cruiser RC155	KIN YAT Industrial Co.LTD
MODEL NO:	#277088	
PCB NO:	80TX155RD-94HE-1	Description: FM Cruiser RC155-TX-27M
PCBA NO:	TX-155-27	
DCE NO:		Page: 1 Rev: v0
Drawn by:	znouhnyong	Issued date: :004 04 05