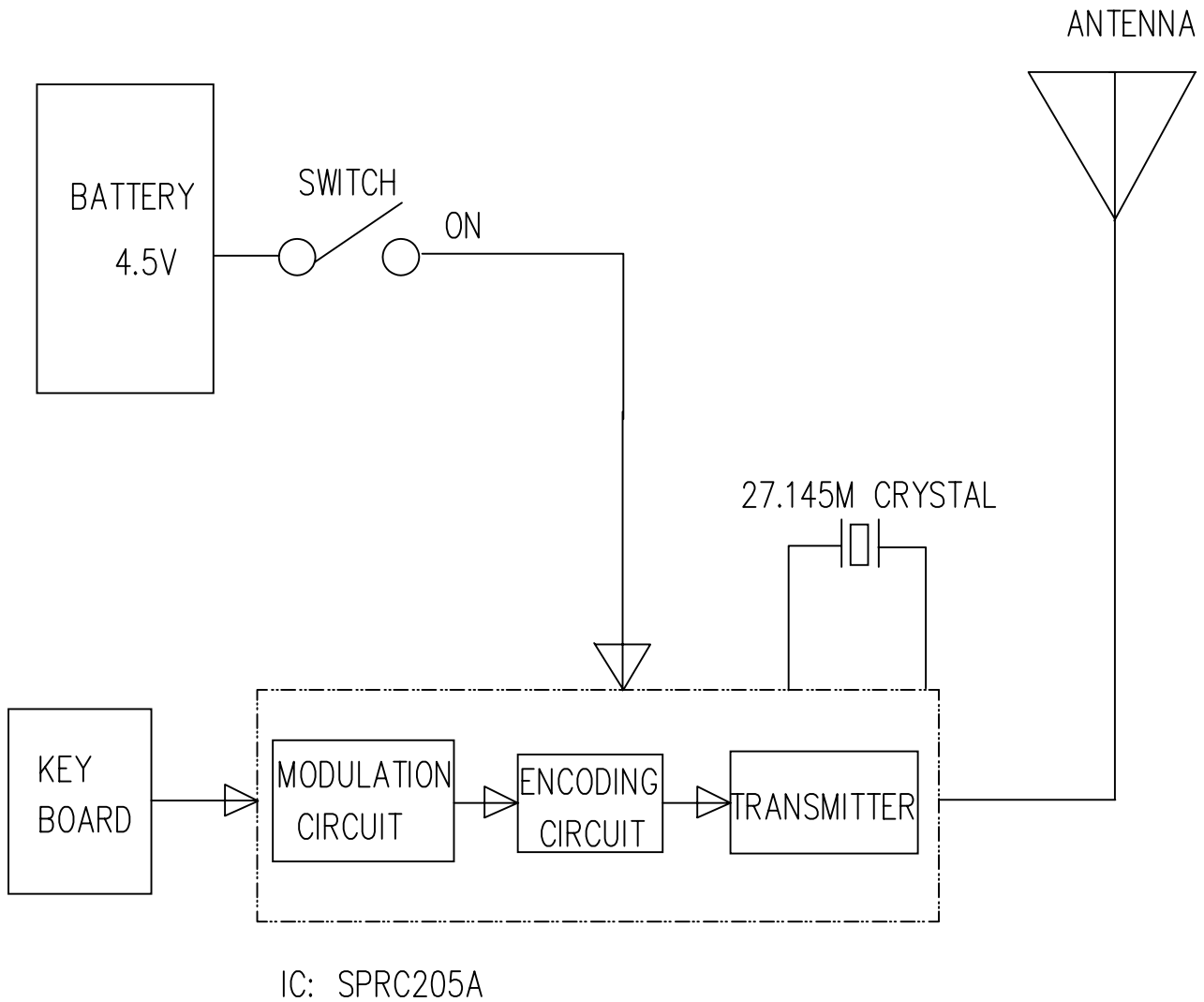


TOYKO R/C CAR(27M) TX BLOCK DIAGRAM



DESIGNED: LD ZHENG

DATE: 2004-04-6

EARLY LIGHT INDUSTRIAL CO.LTD

CHECKED: SY CHIENG

DATE: 2004-04-06

MODE NO: #277880

PCB NO: TYK-02

REV: 00

APPROVAED: SW MOK

DATE: 2004-04-06

FILE NAME: TX BLOCK

PAGE: 1 OF 1